



# SERVICE PARTS LIST

**BUL. 54-10-0504**

## 1/2" ELECTRIC DRILL

REVISED BUL. 54-10-0503      DATE Sept. '78

**Catalog No. 1600**

Starting Serial No. **108-54935**

WIRING INSTRUCTIONS **58-01-0505**

Specify Catalog and Serial No. when ordering parts

600 R.P.M.  
6 AMPS

FOR CAT. NO. 1600-2  
(240V) TOOL USE:  
18-66-1000 FIELD  
16-66-1000 ARMATURE  
22-64-4100 CORD SET

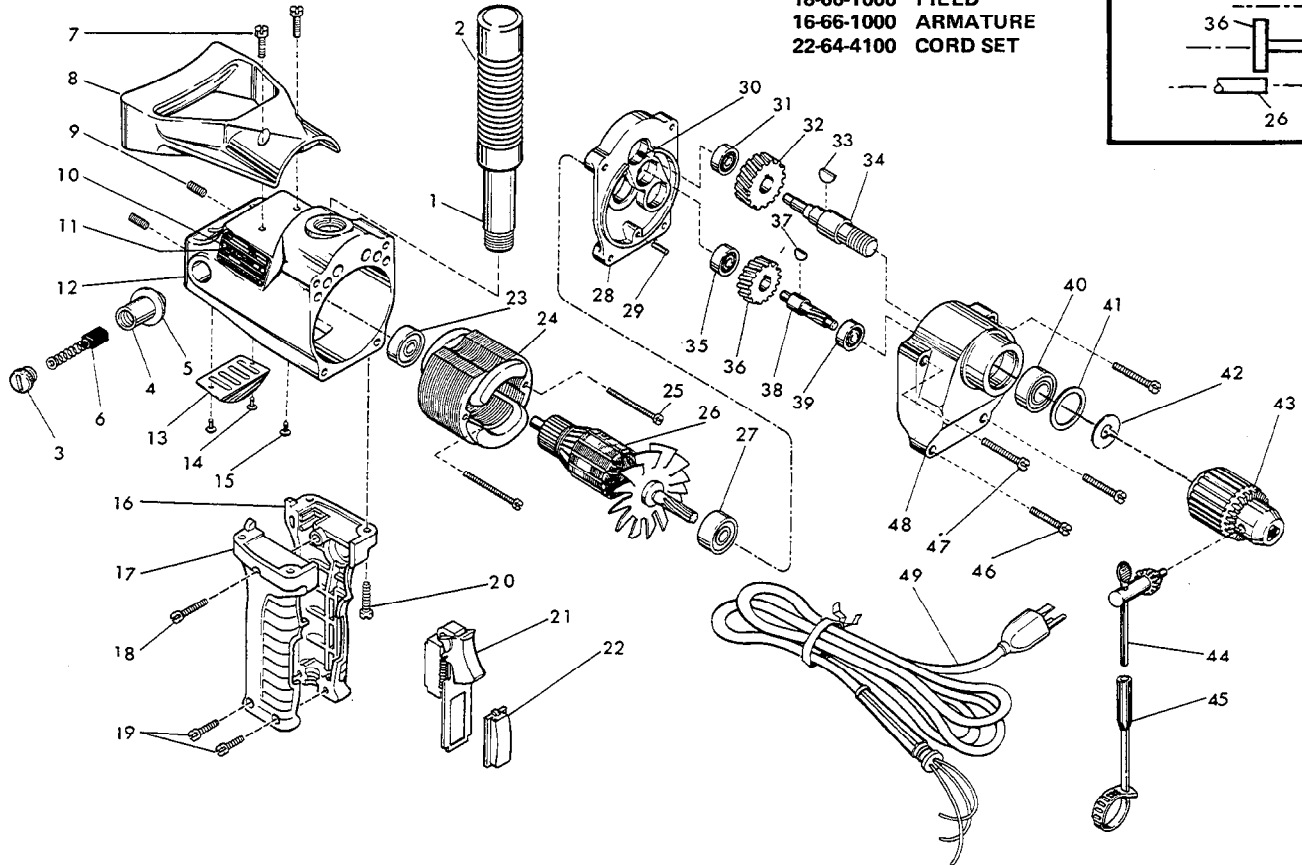
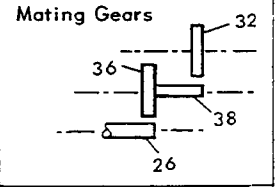


FIG.	PART NO.	DESCRIPTION OF PART	NO. REQ.
	1	Pipe Handle	(1)
★	2	Handle Grip	(1)
	3	Brush Retaining Screw	(2)
★	4	Brush Holder	(2)
	5	Fiber Washer	(2)
	6	Carbon Brush	(2)
★	7	12-24x5/8 Phillips Pan Hd. Screw	(2)
★	8	Spade Handle	(1)
	9	1/4-20x1/2 Knrl. Set Screw	(2)
	10	6x1/4 Nameplate Screw	(2)
	11	Nameplate Blank	(1)
	12	Motor Housing	(1)
	13	Cover Plate	(1)
	14	6-32x1/4 Rd. Hd. Sem	(2)
	15	6-32x1/4 Ground Screw	(1)
★	16	Left Handle Half	(1)
★	17	Right Handle Half	(1)
★	18	8-32x1-1/8 Fil. Hd. Sem	(1)
★	19	8-32x5/8 Fil. Hd. Sem	(2)
★	20	12-24x3/4 Fil. Hd. Sem	(4)
★	21	Switch	(1)
★	22	Handle Plug	(1)
	23	Ball Bearing	(1)
	24	120 Volt Field	(1)
	25	8-32x1-7/8 Fil. Hd. Sem	(2)

FIG.	PART NO.	DESCRIPTION OF PART	NO. REQ.
	26	120 Volt Armature	(1)
	27	Ball Bearing	(1)
	28	Diaphragm (Includes Fig. Nos. 29 & 30)	(1)
	29	3/16x1/2 Groove Pin	(1)
	30	Bearing Retaining Slug	(2)
	31	Ball Bearing	(1)
	32	Spindle Gear	(1)
	33	Woodruff Key	(1)
	34	Spindle	(1)
	35	Ball Bearing	(1)
	36	Intermediate Gear	(1)
	37	Woodruff Key	(1)
	38	Intermediate Shaft	(1)
	39	Ball Bearing	(1)
	40	Ball Bearing	(1)
	41	Retaining Ring	(1)
	42	Chuck Spacer Washer	(1)
	43	1/2" Chuck (Includes Fig. No. 44)	(1)
	44	Chuck Key	(1)
	45	Key Holder	(1)
	46	10-32x1-3/16 Fil. Hd. Sem	(2)
	47	10-32x1-7/16 Fil. Hd. Sem	(2)
	48	Gear Case	(1)
★	49	Cord Set	(1)
	50	Caution Plate (Not Shown)	(1)