



SERVICE PARTS LIST

1/2" ELECTRIC DRILL

Catalog No. 1600

Starting Serial No. **108-37796**

Specify Catalog and Serial No. when ordering parts

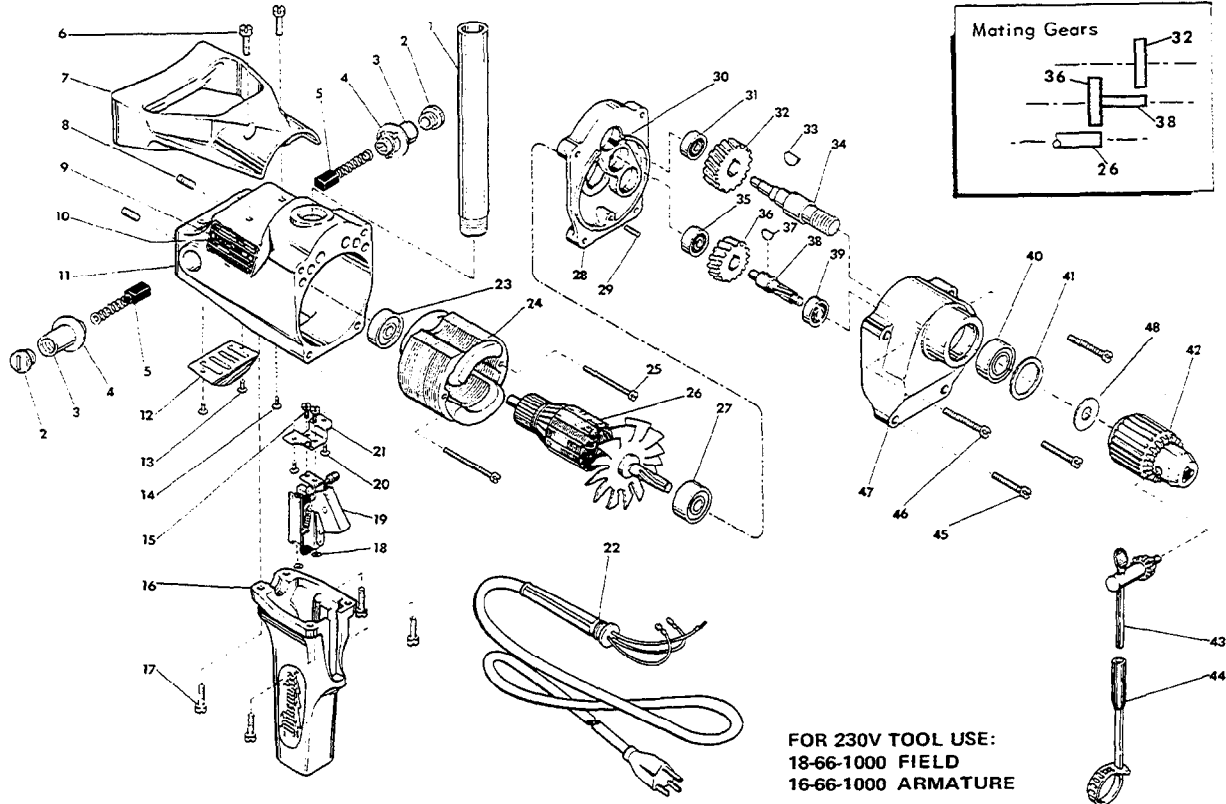
BUL. 54-10-0503

REVISED BUL.
54-10-0502

DATE
Dec. '73

WIRING INSTRUCTIONS
58-01-0500

600 R.P.M.



FOR 230V TOOL USE:
18-66-1000 FIELD
16-66-1000 ARMATURE

FIG.	PART NO.	DESCRIPTION OF PART	NO. REQ.	FIG.	PART NO.	DESCRIPTION OF PART	NO. REQ.
1	43-62-0230	Pipe Handle		25	06-81-6700	8-32x1-7/8 Fil. Hd. Sem	(2)
2	23-44-0065	Brush Retaining Screw	(2)	26	16-62-1000	115 Volt Armature	
3	22-22-0120	Brush Holder	(2)	27	02-04-1070	Ball Bearing	
4	23-86-0130	Washer	(2)	28	28-28-0621	Diaphragm (includes F ig.29 & 30)	
5	22-18-0170	Carbon Brush	(2)	29	06-65-0625	3/16x1/2 Groove Pin	
6	06-81-7500	12-24x5/8 Fil. Hd. Sem	(2)	30	45-30-0060	Brg. Retaining Slug	(2)
7	28-44-7041	Spade Handle		31	02-04-0820	Ball Bearing	
8	06-83-2670	1/4-20x1/2 Knrl. Set Screw	(2)	32	32-75-1621	Spindle Gear	
★ 9	06-85-0200	6x1/4 Rd. Hd. Type Z Screw	(2)	33	06-42-2000	Woodruff Key	
★ 10	12-99-0010	Nameplate		34	38-50-2601	Spindle	
★ 11	28-50-4646	Motor Housing		35	02-04-0820	Ball Bearing	
12	44-66-0140	Cover Plate		36	32-40-1261	Intermediate Gear	
13	06-81-8650	6-32x1/4 Rd. Hd. Sem	(2)	37	06-42-1200	Woodruff Key	
14	06-81-8625	6-32x1/4 Ground Screw		38	36-66-2051	Intermediate Shaft	
15	06-81-5800	6-32x5/16 Fil. Hd. Sem	(2)	39	02-04-0820	Ball Bearing	
16	28-44-9121	Switch Handle		40	02-04-1560	Ball Bearing	
17	06-81-7500	12-24x5/8 Fil. Hd. Sem	(4)	41	34-80-2500	Retaining Ring	
18	06-97-1800	Lock Washer	(4)	42	48-66-1280	1/2" Chuck	
19	23-66-0190	Switch		43	48-66-3280	Chuck Key	
20	06-81-8650	6-32x1/4 Rd. Hd. Sem	(2)	★ 44	48-66-4040	Key Holder	
21	42-36-0180	Switch Bracket		★ 45	06-81-7450	10-32x1-3/16 Fil. Hd. Sem	(2)
22	22-64-0170	Cord Set		★ 46	06-81-7460	10-32x1-7/16 Fil. Hd. Sem	(2)
23	02-04-0970	Ball Bearing		47	28-14-0721	Gear Case	
24	18-62-1000	115 Volt Field		★ 48	45-88-0375	Chuck Spacer Washer	
				★ 49	12-98-7081	Caution Plate (Not Shown)	