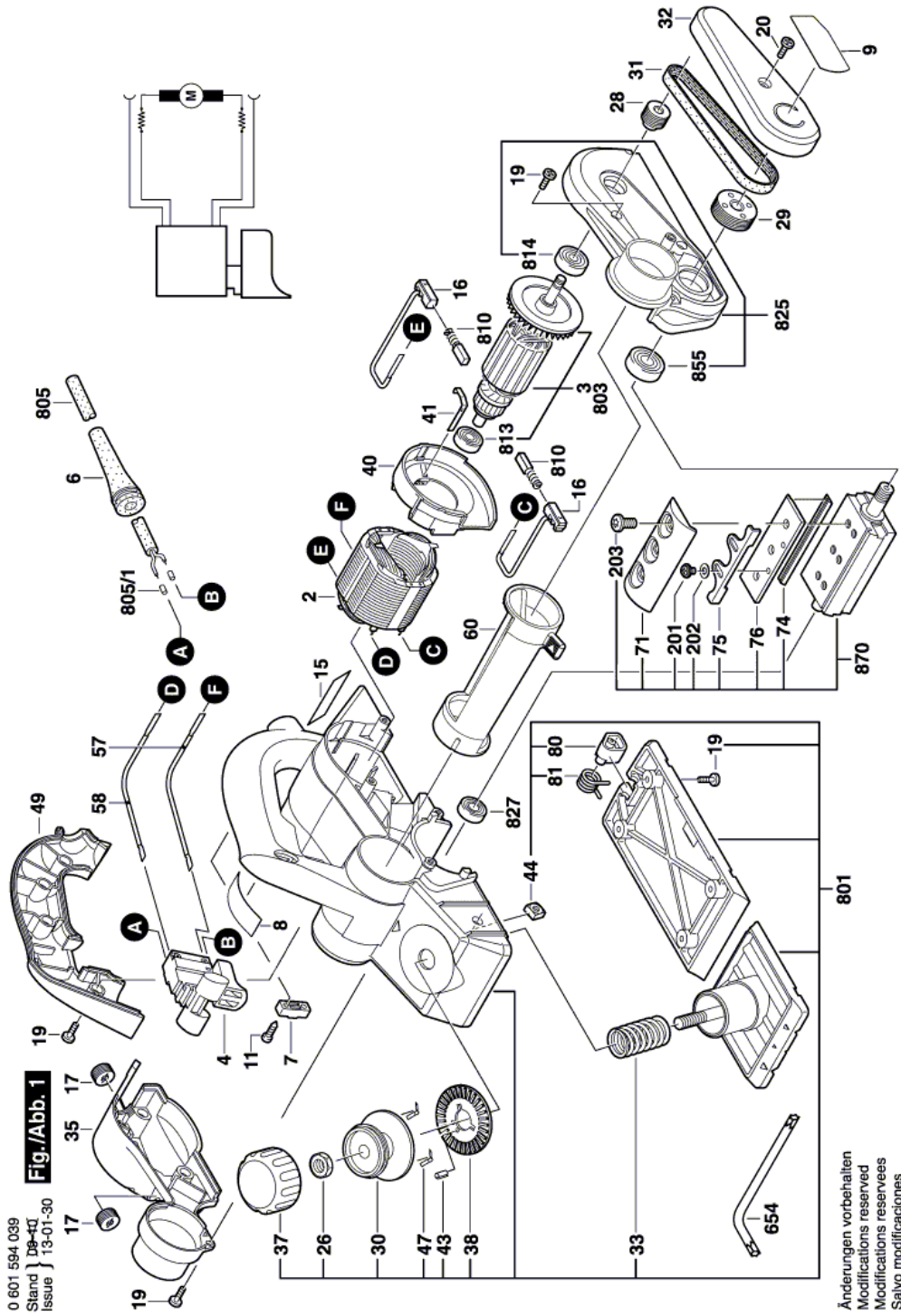


Illustration - Type E



Information subject to change without further notice.

Portable Planer - 0 601 594 039 - 1594

www.powertools-aftersaleservice.com



BOSCH

Item	Part Number	Description	Illustration	Price	Quantity	Price Group
2	2 604 220 704	Field 120V	1	-,-	1	31
3	2 609 199 270	Armature 110-120V	1	-,-	1	34
4	1 607 200 158	Switch	1	-,-	1	21
6	2 600 703 018	Grommet Ø7,3-Ø8,6x76 MM	1	-,-	1	13
7	2 601 035 001	Cable Clip	1	-,-	1	11
8	2 609 130 762	Type Label	1	-,-	1	-
9	2 609 130 203	Manufacturer's nameplate	1	-,-	1	15
11	2 910 611 020	Tapping Screw DIN 7981-ST3,9x19-C-H	1	-,-	2	11
15	2 609 130 372	Reference Plate	1	-,-	1	15
16	2 604 449 055	Carbon Brush Holder	1	-,-	2	12
17	2 609 100 087	Cover	1	-,-	2	10
19	2 910 611 020	Tapping Screw DIN 7981-ST3,9x19-C-H	1	-,-	14	11
20	2 609 110 155	Screw	1	-,-	1	10
26	2 609 110 131	Adjusting Nut	1	-,-	1	14
28	2 609 110 268	Pulley	1	-,-	1	14
29	2 609 110 267	Pulley	1	-,-	1	16
30	2 609 100 139	Rotary Handle	1	-,-	1	17
31	2 609 100 410	V-Belt	1	-,-	1	22
32	2 609 100 024	Gear Cover	1	-,-	1	15
33	2 609 110 077	Compression Spring	1	-,-	1	13
35	2 609 100 023	Brush-Cover BLUE	1	-,-	1	19
37	2 609 100 140	Cap-Handle	1	-,-	1	15
38	2 609 110 162	Ratchet Disc	1	-,-	1	14
40	2 609 100 028	Air-Deflector Ring	1	-,-	1	13
41	2 601 329 053	Contact Strap	1	-,-	1	11
43	2 917 800 053	Coiled Spring Pin DIN 7343-5x2,5	1	-,-	1	10
44	2 603 320 004	Square Nut M6	1	-,-	2	11
47	2 601 254 000	Ratchet Spring	1	-,-	1	11
49	2 609 100 022	Handle Cover BLUE	1	-,-	1	20
57	2 604 448 181	Connecting Cable L=233 MM WHITE	1	-,-	1	12
58	2 604 448 118	Connecting Cable L=213 MM BLUE	1	-,-	1	11
60	2 609 100 148	Deflector Pipe BLACK	1	-,-	1	23
71	2 609 110 064	Clamping jaws	1	-,-	2	18

Item	Part Number	Description	Illustration	Price	Quantity	Price Group
74	2 608 635 341	Planing Knife	1	-,-	1	26
75	2 602 316 001	Stop Holding Device	1	-,-	2	12
76	2 609 110 107	Blade Holder	1	-,-	1	16
80	2 609 100 088	Knife Guard	1	-,-	1	14
81	2 609 110 109	Spring	1	-,-	1	12
201	2 603 433 001	Torx Oval-Head Screw	1	-,-	4	11
202	2 916 069 088	Spring Washer	1	-,-	4	11
203	2 609 110 084	Straining Screw	1	-,-	6	10
654	2 607 950 025	Hexagon-Socket Key	1	-,-	1	14
801	2 609 199 613	Motor Housing	1	-,-	1	40
805	1 604 460 246	Power supply cord USA/CDN 3,20mm 2 x 0,82mm SJ 18/2	1	-,-	1	26
805/1	1 900 452 012	End Splice DIN 46 228-A1-6	1	-,-	2	10
810	2 609 120 064	Carbon-Brush Set	1	-,-	1	22
813	2 600 905 051	groove ball bearing 7x19x6	1	-,-	1	21
814	2 600 905 052	groove ball bearing 8x22x7	1	-,-	1	20
825	2 609 110 175	Bearing Flange	1	-,-	1	34
827	2 600 905 051	groove ball bearing 7x19x6	1	-,-	1	21
855	2 600 905 064	groove ball bearing 10x26x8	1	-,-	1	23
870	2 609 110 161	Cutting Head	1	-,-	1	43