

## Jig Saw - 0 601 511 739 - 1590 EVS

www.powertools-aftersaleservice.com

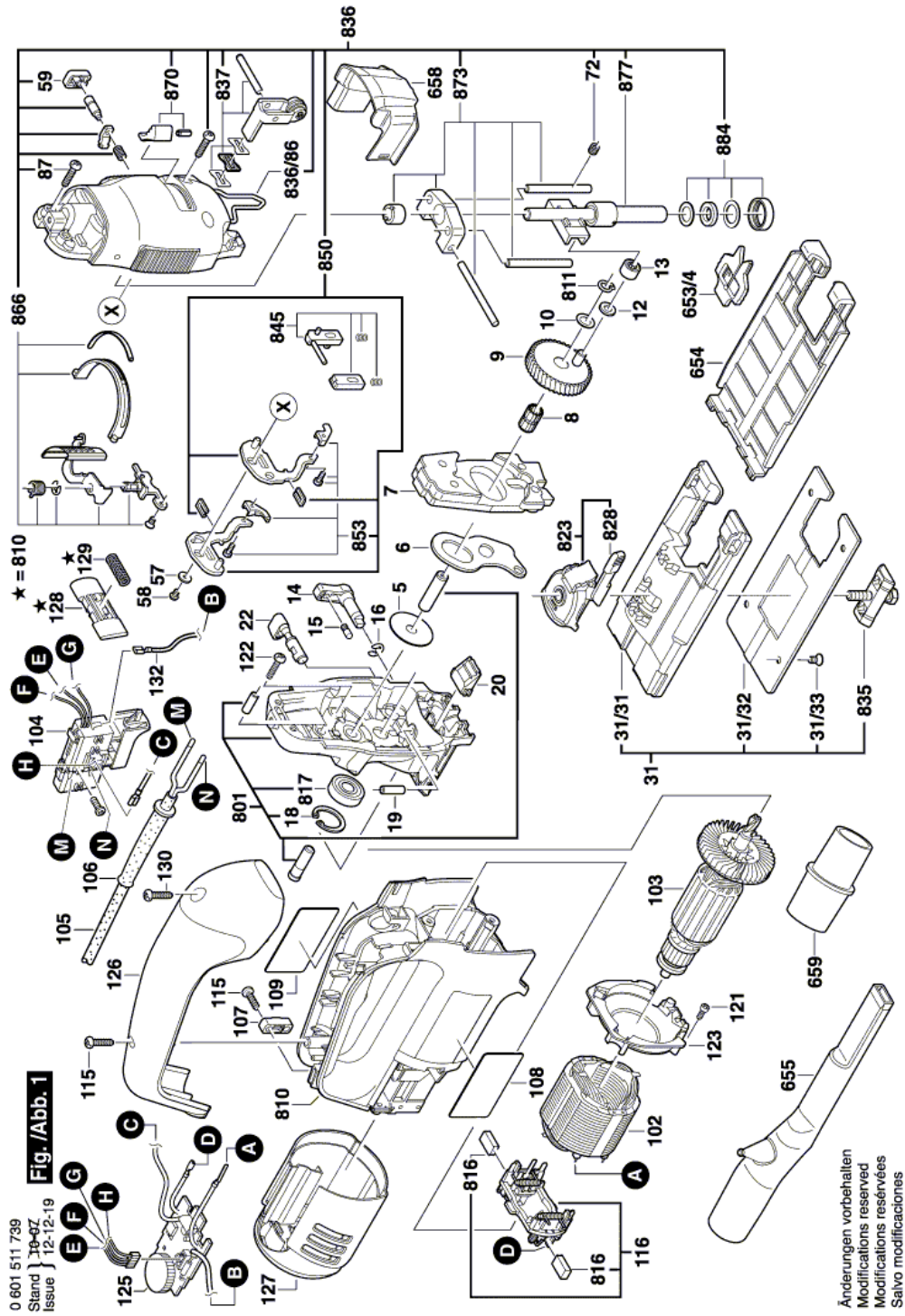


**BOSCH**

Item	Part Number	Description	Illustration	Price	Quantity	Price Group
	5 2 600 101 048	Shim 0,5 MM		1	-,-	1 11
	6 2 601 923 010	Fork Lever		1	-,-	1 16
	7 2 601 098 087	Counterweight		1	-,-	1 27
	8 2 600 913 040	Needle-Roller Assembly		1	-,-	1 18
	9 2 606 320 101	Eccentric Cog Wheel		1	-,-	1 32
	10 2 600 101 047	Shim 0,3 MM		1	-,-	1 11
	12 2 600 200 038	Intermediate Ring		1	-,-	1 11
	13 2 600 917 900	Needle bearing		1	-,-	1 21
	14 2 602 026 116	Rotary Knob BLACK		1	-,-	1 18
	15 2 600 590 006	Ratchet Cap		1	-,-	1 11
	16 2 916 080 908	Locking Washer 5 DIN 6799		1	-,-	1 10
	18 2 600 118 013	Spring retaining ring		1	-,-	1 10
	19 2 603 105 104	Bearing bolt		1	-,-	1 11
	20 2 602 305 023	Air Eliminator		1	-,-	1 11
	22 2 602 026 109	Rotary Knob BLACK		1	-,-	1 13
	31 2 608 000 925	Base Plate		1	-,-	1 32
31/31	2 608 000 305	Base Plate		1	-,-	1 28
31/32	2 601 098 099	Work Board		1	-,-	1 20
31/33	2 603 421 014	Thread-forming tap. Screw		1	-,-	4 10
	57 2 600 100 123	Shim		1	-,-	1 11
	58 2 603 413 037	Socket head cap screw		1	-,-	1 10
	59 2 603 231 041	Push-Button LIGHT GREY		1	-,-	1 14
	72 2 604 610 042	Compression Spring		1	-,-	3 11
	87 2 603 410 051	Thread-forming tap. Screw		1	-,-	4 10
	102 2 604 220 591	Field 100-120V		1	-,-	1 28
	103 2 604 011 326	Armature 100-120V		1	-,-	1 39
	104 2 607 200 589	Switch		1	-,-	1 28
	105 2 604 460 270	Power supply cord USA/CDN/SAM 4,15m 2 x 0,82mm SJ 18/2		1	-,-	1 29
	106 2 600 703 013	Grommet Ø7,6-Ø8,2x95 MM		1	-,-	1 13
	107 2 601 035 001	Cable Clip		1	-,-	1 11
	108 2 601 116 428	Nameplate		1	-,-	1 15
	109 2 601 116 421	Manufacturer's nameplate		1	-,-	1 15
	115 2 603 490 022	Torx Oval-Head Screw 4x16		1	-,-	4 10

Item	Part Number	Description	Illustration	Price	Quantity	Price Group
116	2 605 807 110	Brush Plate	1	-,-	1	28
121	2 603 435 086	Tapping Screw	1	-,-	1	10
122	2 603 490 023	Torx Oval-Head Screw 4x20	1	-,-	4	10
123	2 601 328 073	Cover Disc	1	-,-	1	14
125	2 607 230 076	Speed governor 100-120V	1	-,-	1	35
126	2 602 025 133	Strap-Shaped Handle DARK BLUE	1	-,-	1	25
127	2 600 508 049	Housing Cover	1	-,-	1	13
128	2 602 026 121	Locking Lever LIGHT GREY	1	-,-	1	12
129	2 604 610 096	Compression Spring	1	-,-	1	11
130	2 603 410 049	Thread-forming tap. Screw M4x12 MM	1	-,-	1	11
132	2 604 448 271	Connecting Cable	1	-,-	1	11
653/4	2 601 016 087	Splintering Protector	1	-,-	1	16
654	2 608 000 309	Pad	1	-,-	1	18
655	2 605 730 040	Suction Nozzle	1	-,-	1	18
658	2 605 510 205	Covering hood	1	-,-	1	12
659	2 610 907 746	Adapter	1	-,-	1	20
801	2 605 806 889	Gear Housing BLACK	1	-,-	1	38
810	2 605 108 913	Motor Housing	1	-,-	1	29
811	2 600 916 900	Locking Washer	1	-,-	1	11
816	2 604 320 913	Carbon-Brush Set	1	-,-	1	21
817	2 600 905 095	Deep-Groove Ball Bearing 9x24x7	1	-,-	1	24
823	2 601 990 907	Fan Cover	1	-,-	1	24
828	2 601 990 042	Tensioning Lever	1	-,-	1	16
835	2 602 317 900	Clamping Piece	1	-,-	1	20
836	2 605 808 928	Gear Cover	1	-,-	1	50
836/86	2 603 101 046	Protecting Cover BLACK	1	-,-	1	11
837	2 601 321 907	Roller Lever	1	-,-	1	28
845	2 601 098 905	Slider	1	-,-	1	22
850	2 601 990 908	Guide Lever	1	-,-	1	33
853	2 602 180 009	Guide Unit	1	-,-	1	28
870	2 600 591 900	Cap-Handle	1	-,-	1	11
873	2 601 322 901	Carrier	1	-,-	1	27
877	2 600 780 911	Lifting Rod	1	-,-	1	40
884	2 600 290 903	Seal Kit	1	-,-	1	15
866	2 601 990 911	Control Unit	1	-,-	1	26

Illustration - Type E



Information subject to change without further notice.