

## Jig Saw - 0 601 588 769 - 1588 EVS

www.powertools-aftersaleservice.com

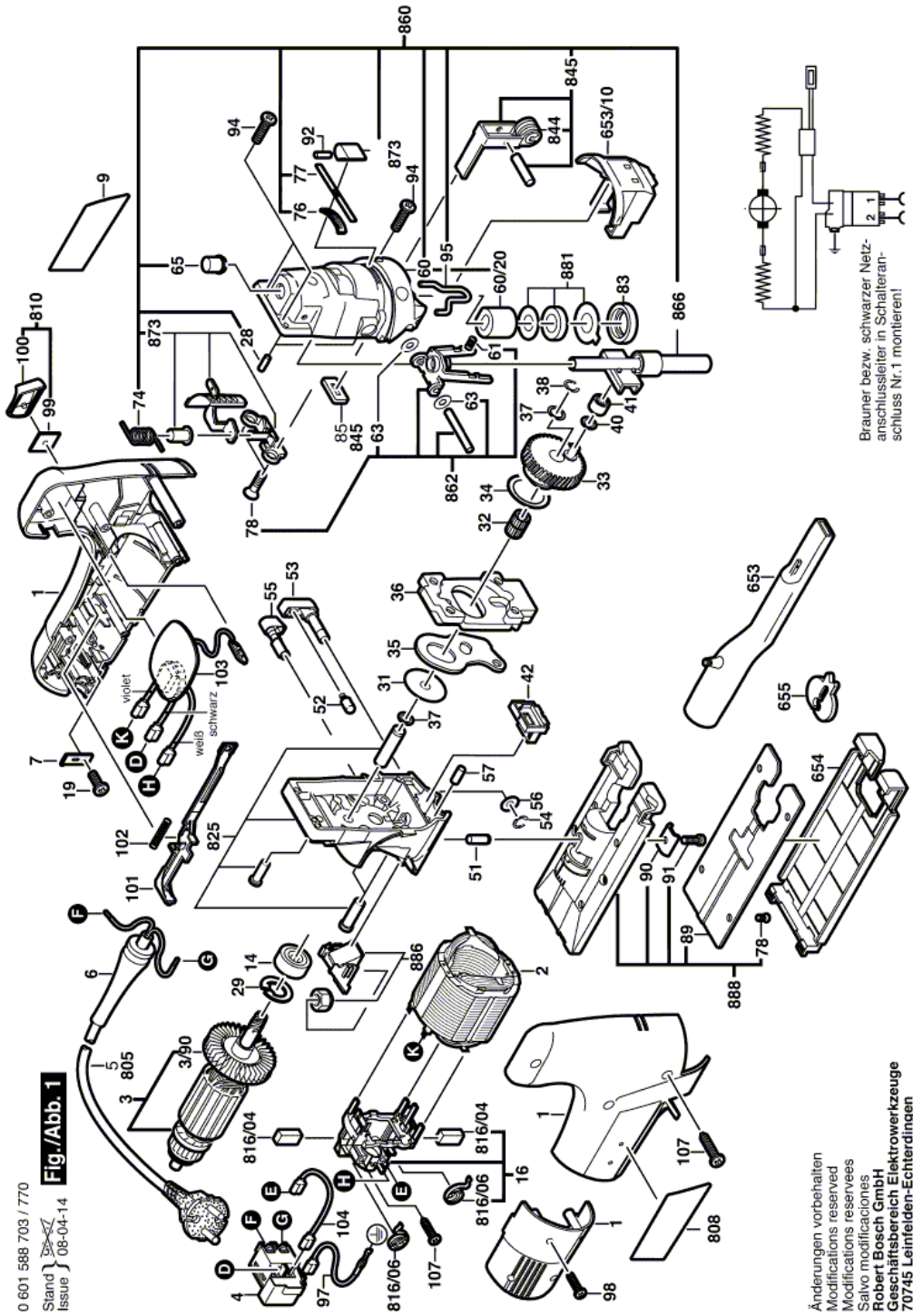


**BOSCH**

Item	Part Number	Description	Illustration	Price	Quantity	Price Group
	1 2 605 104 557	Housing Section MARINE BLUE	1	-,-	1	28
	2 2 604 220 591	Field 100-120V	1	-,-	1	28
	3 2 604 011 149	Armature 100-120V	1	-,-	1	39
3/90	2 606 610 089	Fan	1	-,-	1	17
	4 2 607 200 345	Switch	1	-,-	1	29
	5 1 604 460 138	Power supply cord USA/CDN 2,15m 2 x 082mm SJ 18/2	1	-,-	1	30
	6 2 600 703 067	Grommet	1	-,-	1	14
	7 2 601 302 011	Fastening Clamp	1	-,-	1	11
	9 2 601 119 577	Manufacturer's nameplate	1	-,-	1	-
	14 2 600 905 095	Deep-Groove Ball Bearing 9x24x7	1	-,-	1	24
	16 2 605 807 083	Brush Plate	1	-,-	1	30
	19 2 603 490 021	Torx Oval-Head Screw 4x12	1	-,-	1	10
	28 1 903 201 042	Needle Roller DIN 5402-A3x11,8-G2	1	-,-	2	11
	29 2 916 660 008	Spring retaining ring DIN 472-24x1,2 MM	1	-,-	1	11
	31 2 600 101 048	Shim 0,5 MM	1	-,-	1	11
	32 2 600 913 040	Needle-Roller Assembly	1	-,-	1	18
	33 2 609 992 636	Eccentric Cog Wheel	1	-,-	1	34
	34 2 600 102 614	Shim 0,5 MM	1	-,-	1	11
	35 2 601 923 010	Fork Lever	1	-,-	1	16
	36 2 601 098 032	Counterweight	1	-,-	1	28
	37 2 600 101 047	Shim 0,3 MM	1	-,-	2	11
	38 2 916 080 909	Locking Washer DIN 6799-6-FST	1	-,-	1	10
	40 2 600 200 038	Intermediate Ring	1	-,-	1	11
	41 2 600 917 900	Needle bearing	1	-,-	1	21
	42 2 602 305 048	Air Eliminator	1	-,-	1	11
	51 2 603 105 053	Bearing bolt	1	-,-	1	11
	52 2 600 590 006	Ratchet Cap	1	-,-	1	11
	53 2 602 026 063	Rotary Knob BLACK	1	-,-	1	15
	54 2 916 080 908	Locking Washer 5 DIN 6799	1	-,-	1	10
	55 2 602 026 065	Rotary Knob BLACK	1	-,-	1	12
	56 2 600 100 607	Shim 0,3 MM	1	-,-	1	11
	57 2 603 100 069	Straight Pin 17,35+0,1 MM	1	-,-	1	11
	60 2 605 808 081	Gear Cover	1	-,-	1	35

Item	Part Number	Description	Illustration	Price	Quantity	Price Group
60/20	2 600 301 037	Bushing	1	-,-	1	11
61	2 604 610 042	Compression Spring	1	-,-	2	11
63	2 600 101 095	Shim	1	-,-	2	11
65	2 601 015 064	Seal	1	-,-	1	11
74	2 604 651 011	Torsion Spring	1	-,-	1	12
76	2 601 015 065	Seal	1	-,-	1	11
77	2 601 016 079	Cover Plate	1	-,-	1	13
78	2 603 421 014	Thread-forming tap. Screw	1	-,-	6	10
83	2 600 202 037	Retaining snap ring	1	-,-	1	12
85	2 601 015 057	Sealing Plate	1	-,-	1	12
89	2 601 098 082	Work Board	1	-,-	1	20
90	2 601 030 022	Profile Beading	1	-,-	1	11
91	2 910 141 197	Hex Socket Head Cap Screw DIN 912-M6x16-8.8	1	-,-	1	10
92	2 917 760 034	Slotted Spring Pin 2x6 DIN 1481	1	-,-	1	10
94	2 603 410 049	Thread-forming tap. Screw M4x12 MM	1	-,-	4	11
95	2 603 101 046	Protecting Cover BLACK	1	-,-	1	11
97	2 604 448 211	Earth Conductor	1	-,-	1	11
98	2 603 490 018	Torx Oval-Head Screw 3x18	1	-,-	4	10
99	2 601 010 062	Dust Protection	1	-,-	1	11
100	2 602 026 066	Switch Handle BLACK	1	-,-	1	11
101	2 601 099 072	Adjusting Slide	1	-,-	1	15
102	2 604 611 033	Compression Spring	1	-,-	1	12
103	2 607 230 043	Speed governor 100-120V	1	-,-	1	35
104	2 604 448 104	Connecting Cable L=63 MM WHITE	1	-,-	1	11
106	2 603 490 025	Torx Oval-Head Screw 4x30	N/A	-,-	2	10
107	2 603 490 024	Torx Oval-Head Screw 4x25	1	-,-	4	11
220	2 602 099 015	Holding-Down-Appliance	N/A	-,-	1	19
653/10	2 605 510 159	Covering hood	1	-,-	1	12
655	2 601 016 065	Splintering Protector	1	-,-	1	16
753	2 605 730 038	Suction Nozzle	N/A	-,-	1	18
754	2 608 000 184	Pad	N/A	-,-	1	16
808	2 601 119 575	Nameplate	1	-,-	1	15
810	2 602 026 902	Switch Handle	1	-,-	1	14
816/04	2 604 320 913	Carbon-Brush Set	1	-,-	1	21
816/06	1 604 652 013	Spiral Spring	1	-,-	2	11
825	2 605 806 896	Gear Housing	1	-,-	1	39
844	2 600 326 904	Roller Set	1	-,-	1	23
845	2 601 321 904	Roller Lever	1	-,-	1	27
860	2 605 808 927	Gear Cover	1	-,-	1	48
862	2 601 322 900	Guide Bracket	1	-,-	1	23
866	2 600 780 905	Lifting Rod	1	-,-	1	42
873	2 601 990 906	Holding Plate	1	-,-	1	21
881	2 600 290 902	Seal Kit	1	-,-	1	13
886	2 605 500 908	Fan Cover BLUE	1	-,-	1	12
888	2 608 000 920	Base Plate	1	-,-	1	30

Illustration - Type E



Information subject to change without further notice.