

## Univ. Foam Rubber Cutter - 0 601 575 139 - 1575 A

www.powertools-aftersaleservice.com

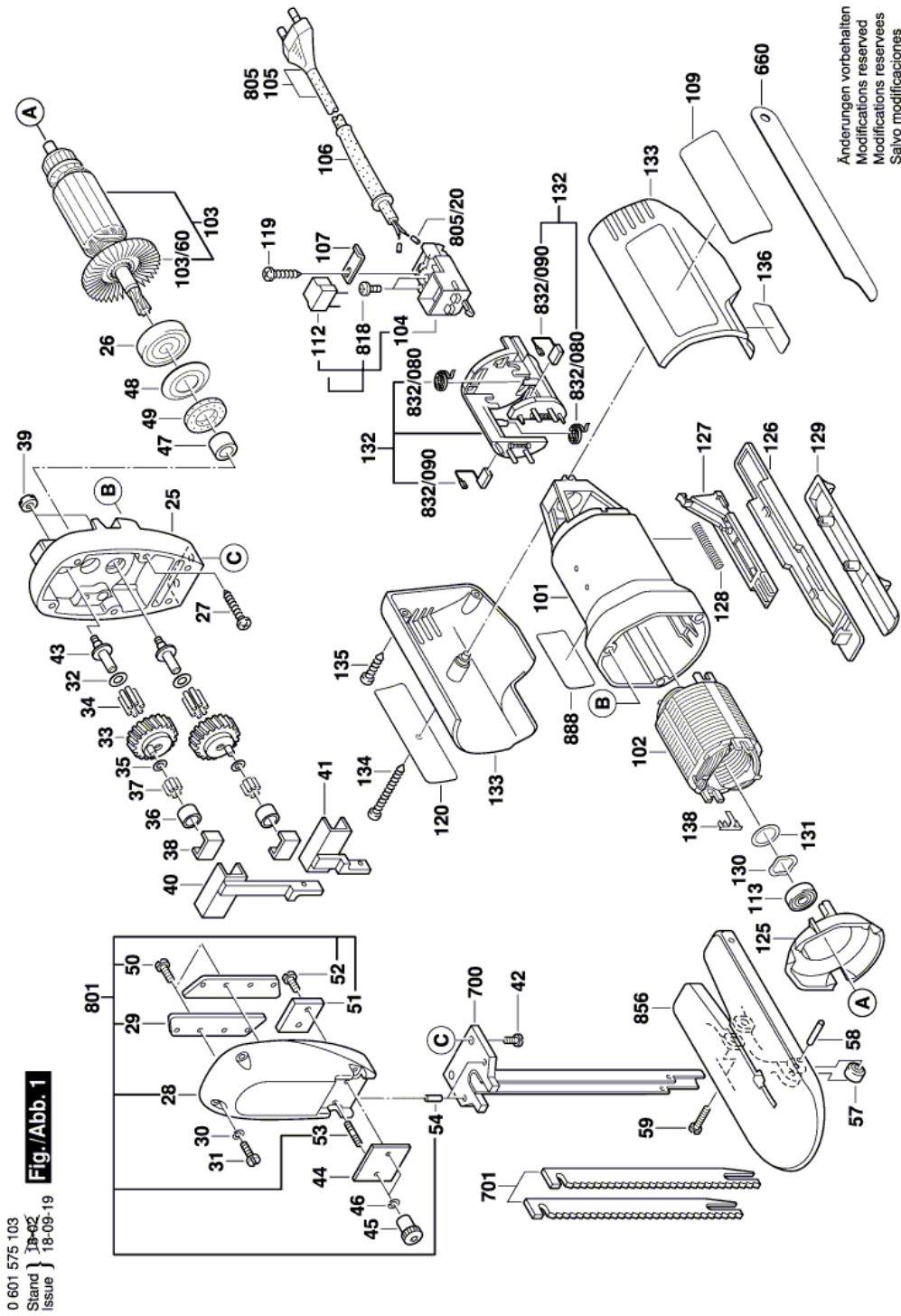


**BOSCH**

Item	Part Number	Description	Illustration	Price	Quantity	Price Group
25	2 605 806 082	Gear Housing	1	-,-	1	43
26	2 600 905 095	Ball Bearing 9x24x7	1	-,-	1	24
27	2 914 201 508	Torx Oval-Head Screw	1	-,-	3	10
28	2 605 500 056	Gear Cover	1	-,-	1	43
29	2 601 038 001	Guide Rail	1	-,-	2	15
30	2 916 690 003	Spring Lock Washer DIN 128-A4-FST	1	-,-	4	10
31	2 910 011 128	Socket head cap screw DIN 84-AM4x18-5.8	1	-,-	4	10
32	2 600 100 611	Shim 0,10 MM	1	-,-	2	11
32	2 600 100 613	Shim 0,50 MM	1	-,-	2	11
33	2 606 319 007	Eccentric Cog Wheel Z=49	1	-,-	2	40
34	3 600 910 000	Needle-Roller Assembly	1	-,-	2	16
35	2 600 100 586	Shim 0,20 MM	1	-,-	1	11
35	2 600 100 587	Shim 0,30 MM	1	-,-	1	11
35	2 600 100 588	Shim 0,5 MM	1	-,-	1	11
36	2 600 300 005	Roller	1	-,-	2	21
37	2 603 201 037	Needle Roller 1,5x5,8 MM	1	-,-	22	11
38	2 601 320 018	Retaining Bracket	1	-,-	2	12
39	2 603 341 007	Slotted Round Nut	1	-,-	2	11
40	2 602 305 016	Lifting Rod	1	-,-	1	38
41	2 602 305 014	Lifting Rod	1	-,-	1	38
42	2 910 021 118	Socket head cap screw DIN 84-AM4x8-8.8	1	-,-	2	10
43	2 603 520 010	Bearing bolt	1	-,-	2	27
44	2 601 034 010	Pressure Plate	1	-,-	1	18
45	3 603 345 016	Round Nut	1	-,-	2	24
46	2 916 690 002	Spring Lock Washer DIN128-A5-FST	1	-,-	2	10
47	2 600 300 047	Seal Bushing	1	-,-	1	13
48	2 600 500 017	Cupped Washer	1	-,-	1	10
49	2 600 108 026	Felt Washer	1	-,-	1	11
50	2 910 011 082	Socket head cap screw DIN 84-AM3,5x6-5.8	1	-,-	8	10
51	3 602 307 009	Support Plate	1	-,-	1	44
52	2 910 011 084	Socket head cap screw DIN 84-AM3,5x8-5.8	1	-,-	2	10
53	2 603 502 015	Stud	1	-,-	2	13
54	2 917 500 093	Straight Pin 4H8x8 DIN 7	1	-,-	2	11

Item	Part Number	Description	Illustration	Price	Quantity	Price Group
57	2 600 300 011	Roller	1	-,-	4	11
58	1 903 201 521	Needle Roller	1	-,-	4	10
59	2 910 021 132	Socket head cap screw DIN 84-AM4x25-8.8	1	-,-	1	10
101	2 605 108 060	Motor Housing BLUE	1	-,-	1	26
102	2 604 220 501	Field 100-115V	1	-,-	1	34
103	1 604 010 B6P	Armature	1	-,-	1	41
103/60	2 606 610 064	Fan	1	-,-	1	14
104	2 607 200 311	Switch	1	-,-	1	21
105	2 604 460 138	Power supply cord USA/CDN 4,15m 2 x 082mm SJ 18/2	1	-,-	1	29
106	2 600 703 013	Grommet Ø7,6-Ø8,2x95 MM	1	-,-	1	13
107	1 601 302 017	Fastening Clamp	1	-,-	1	10
109	2 610 968 271	Sticker	1	-,-	1	15
112	2 607 329 126	Suppression Filter	1	-,-	1	-
113	2 600 905 032	Ball Bearing 7x19x6	1	-,-	1	17
119	2 910 211 019	Tapping Screw DIN 7971-ST3,9x16-F	1	-,-	1	10
120	3 601 110 403	Sticker SHADOW SIDE	1	-,-	1	15
125	2 601 328 002	Cover Disc	1	-,-	1	14
126	2 608 001 005	Switch Rocker BLUE	1	-,-	1	14
127	2 608 001 008	Switch Slide	1	-,-	1	12
128	2 604 611 033	Compression Spring	1	-,-	1	12
129	2 608 001 010	Switch Handle BLACK	1	-,-	1	14
130	2 600 150 003	Shim	1	-,-	1	12
131	2 600 101 617	Shim 0,3 MM	1	-,-	1	11
132	3 604 336 010	Brush Holder	1	-,-	1	39
133	2 605 104 339	Housing Cover BLUE	1	-,-	1	26
134	2 910 211 283	Tapping Screw DIN 7971-B3,9x45	1	-,-	1	11
135	2 910 211 007	Tapping Screw DIN 7971-BZ2,9x16	1	-,-	1	11
136	3 601 110 206	Sticker	1	-,-	1	14
138	2 601 329 037	Contact Spring	1	-,-	1	11
660	2 601 030 010	Scraper	1	-,-	1	13
700	2 608 135 023	Guide 70 MM, T42D	1	-,-	1	-
700	2 608 135 020	Guide 130 MM, T42A	1	-,-	1	-
700	2 608 135 021	Guide 220 MM, T42B	1	-,-	1	-
700	2 608 135 022	Guide 300 MM, T42C	1	-,-	1	-
701	2 607 018 013	Saw Blade Set 70 MM, T 43D	1	-,-	1	-
701	2 607 018 010	Saw Blade Set 130 MM, T43A	1	-,-	1	-
701	2 607 018 011	Saw Blade Set 220 MM, T43B	1	-,-	1	-
701	2 607 018 012	Saw Blade Set 300 MM, T43C	1	-,-	1	-
801	2 605 500 905	Gear Cover	1	-,-	1	47
818	3 607 030 229	Socket head cap screw M 3,5x7 MM	1	-,-	1	18
832/080	1 604 652 013	Spiral Spring	1	-,-	2	11
832/090	1 607 014 17J	Carbon-Brush Set	1	-,-	1	21
856	2 608 000 908	Base Plate	1	-,-	1	-
888	1 601 11A 3H3	Nameplate	1	-,-	1	13

Illustration - Type E



Information subject to change without further notice.