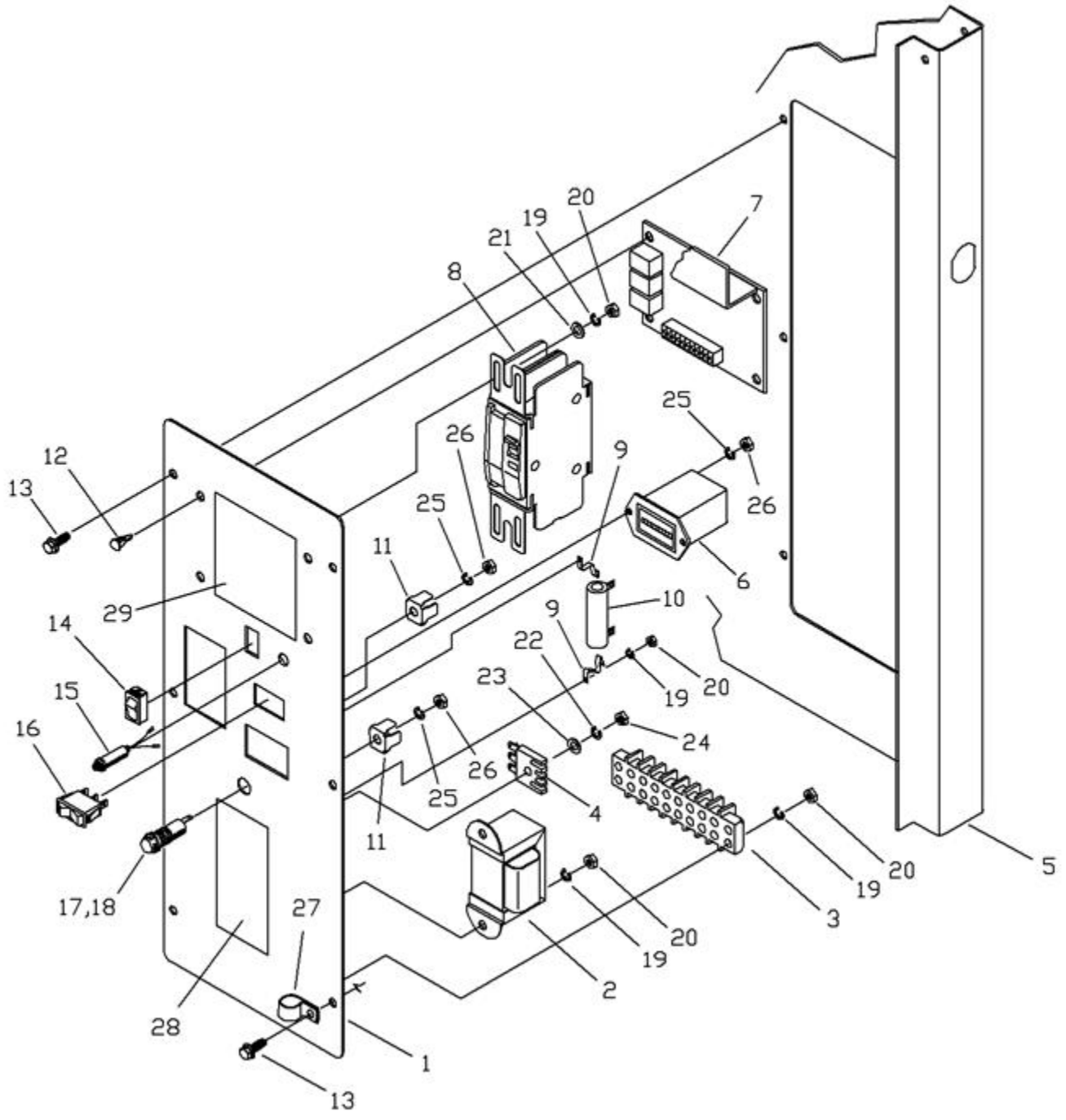
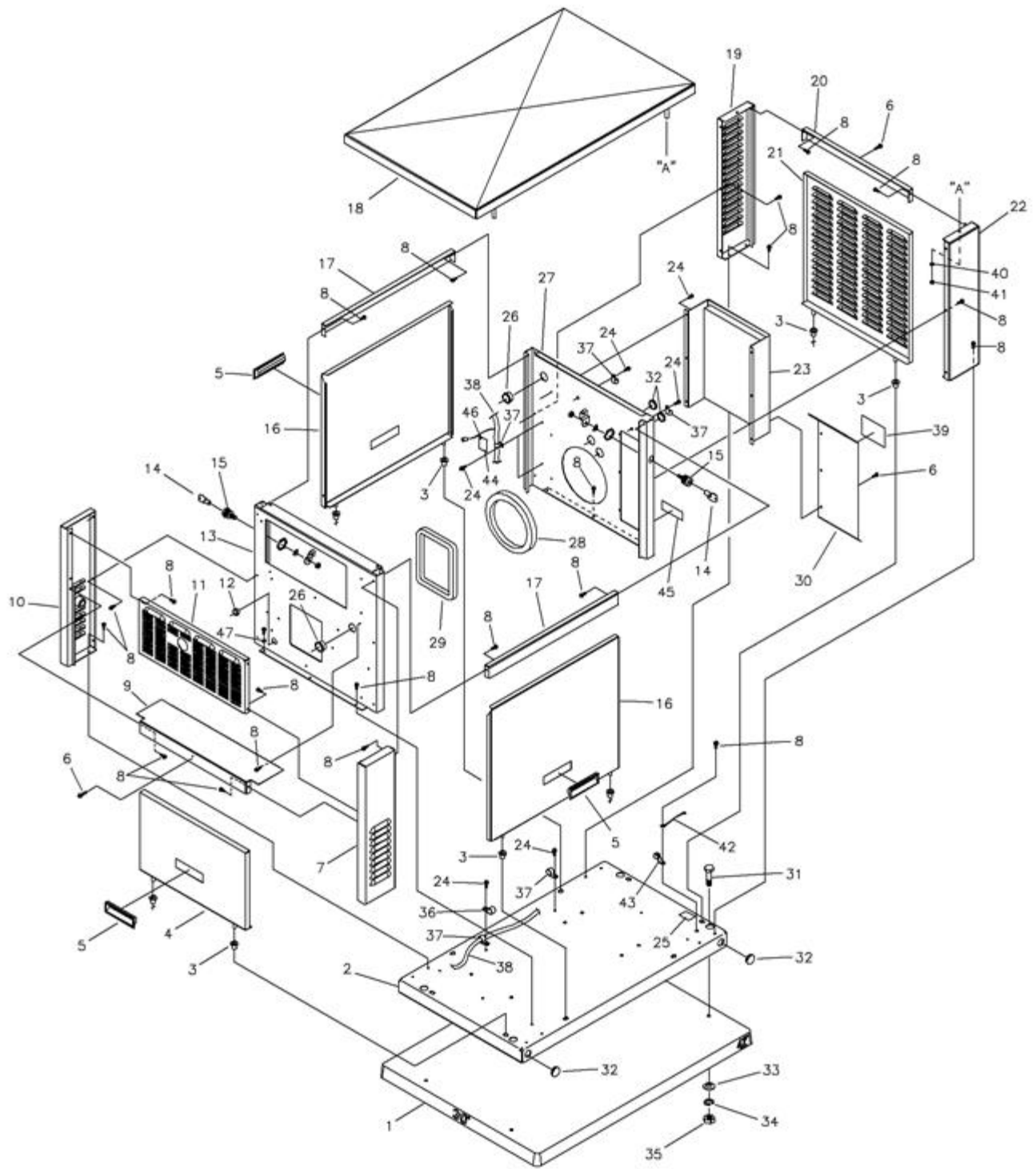


Ref #	Part #	Description	Context Note	Foot Note
1	B4906GS	SHIELD, Front		
2	B4907GS	GRID, Front		
3	B4908GS	BOLT, Shaft Stay		
4	B4909GS	STAY BOLT, M8 x 30		
5	B4910GS	ASSEMBLY, Housing		
6	B4911GS	CAP		
7	B4912GS	COVER, Blind End		
8	B4913GS	COVER, Top Black		
9	B4914GS	CAPACITOR, 25m F 450V		
10	B4915GS	BEARING, 62052RS C3		
11	B4916GS	CAPACITOR, Diode + Varistor + EMC		
12	B4917GS	ROTOR	(Includes Item 13)	
13	B4918GS	FAN		
14	B4919GS	SCREW, M6 - 1.0 x 10mm		
15	B4920GS	SCREW, M5 - 0.8 x 10mm		
16	49820GS	LOCK NUT, M8 - 1.25		
17	188928GS	CONNECTOR, 6-Pin Sincro		
18	22473GS	WASHER, Flat M6		
19	49813GS	NUT, M6		

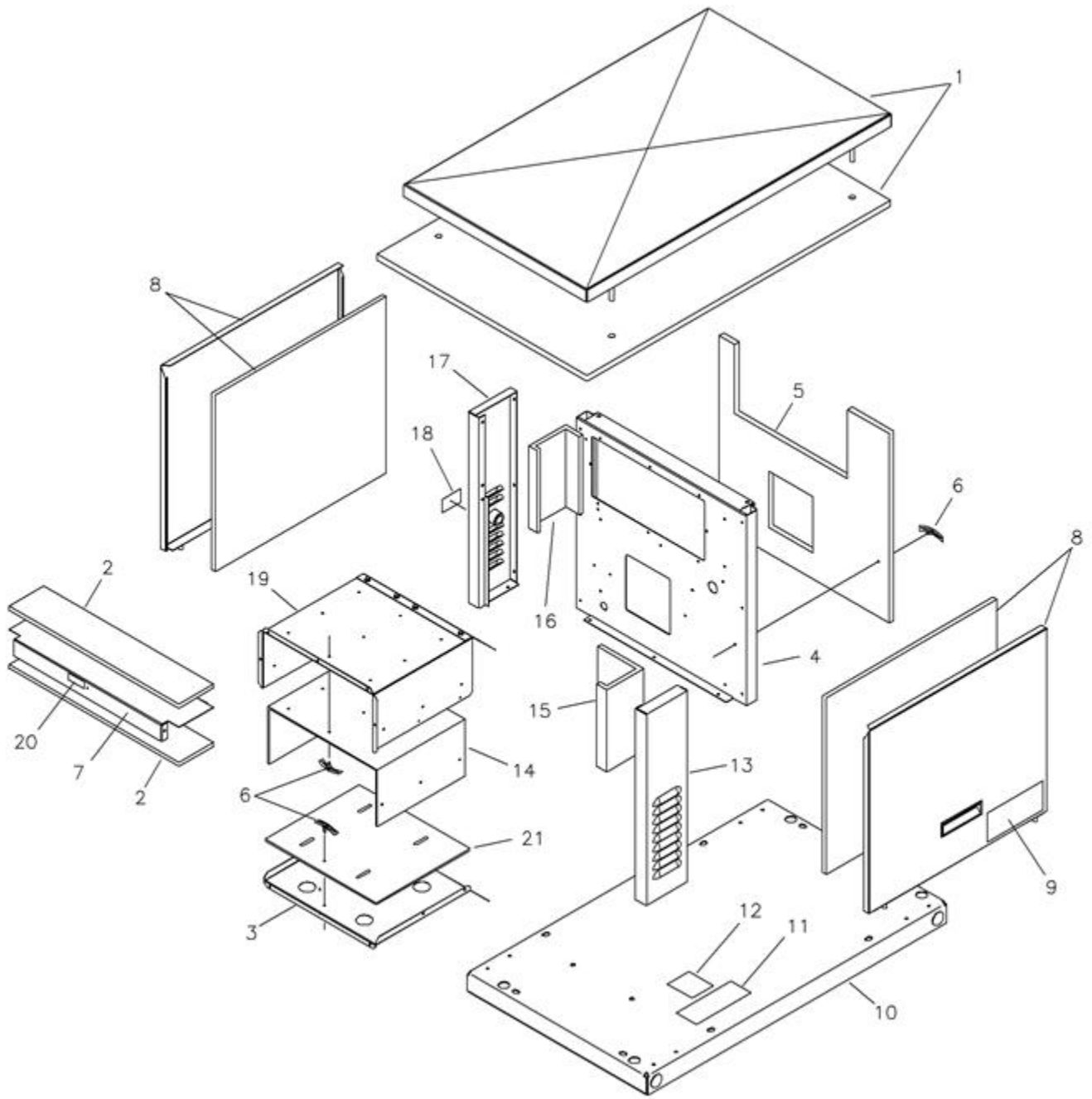


Ref #	Part #	Description	Context Note	Foot Note
1	187225GS	CONTROL PANEL, with Silk Screen		
2	B4776GS	TRANSFORMER		
3	B4799GS	STRIP,Terminal		
4	65795GS	RECTIFIER, Battery Charge		
5	H185967GS	BULKHEAD, Engine Side		
6	77604GS	HOUR METER		
7	B5111GS	CONTROL BOARD		
8	186280GS	CIRCUIT BREAKER, 50 Amp, Model 1461		
	186280BGS	CIRCUIT BREAKER, 40 Amp, Model 1535		
9	B4893GS	BRACKET, Resistor		
10	B4867GS	RESISTOR, 25W, .5 OHM		
11	57345GS	NEUTRAL, 4 Prong		
12	186413GS	STANDOFF, Control Board		
13	B4300GS	BOLT, Swage, 1/4-20		
14	87799GS	SWITCH, Set Exercise		
15	B5133GS	DIODE, Light		
16	186443GS	SWITCH,Auto/Off/Manual		
17	32300GS	HOLDER, Fuse		
18	22676GS	FUSE, 15 Amp AGC		
19	22264GS	LOCKWASHER, M4		
20	51715GS	NUT, M4 - 0.7		
21	22985GS	FLATWASHER, M4		
22	49226GS	LOCKWASHER, M5		
23	23897GS	FLATWASHER, M5		
24	51716GS	NUT, M5 - 0.8		
25	43182GS	LOCKWASHER, M3		
26	51714GS	NUT, M3 - 0.5		
27	187060GS	CLAMP, Cable 3/4" I.D.		
28	186645GS	DECAL, Caution Electrical Shock		
29	186648GS	DECAL, Control Panel Fault Description		

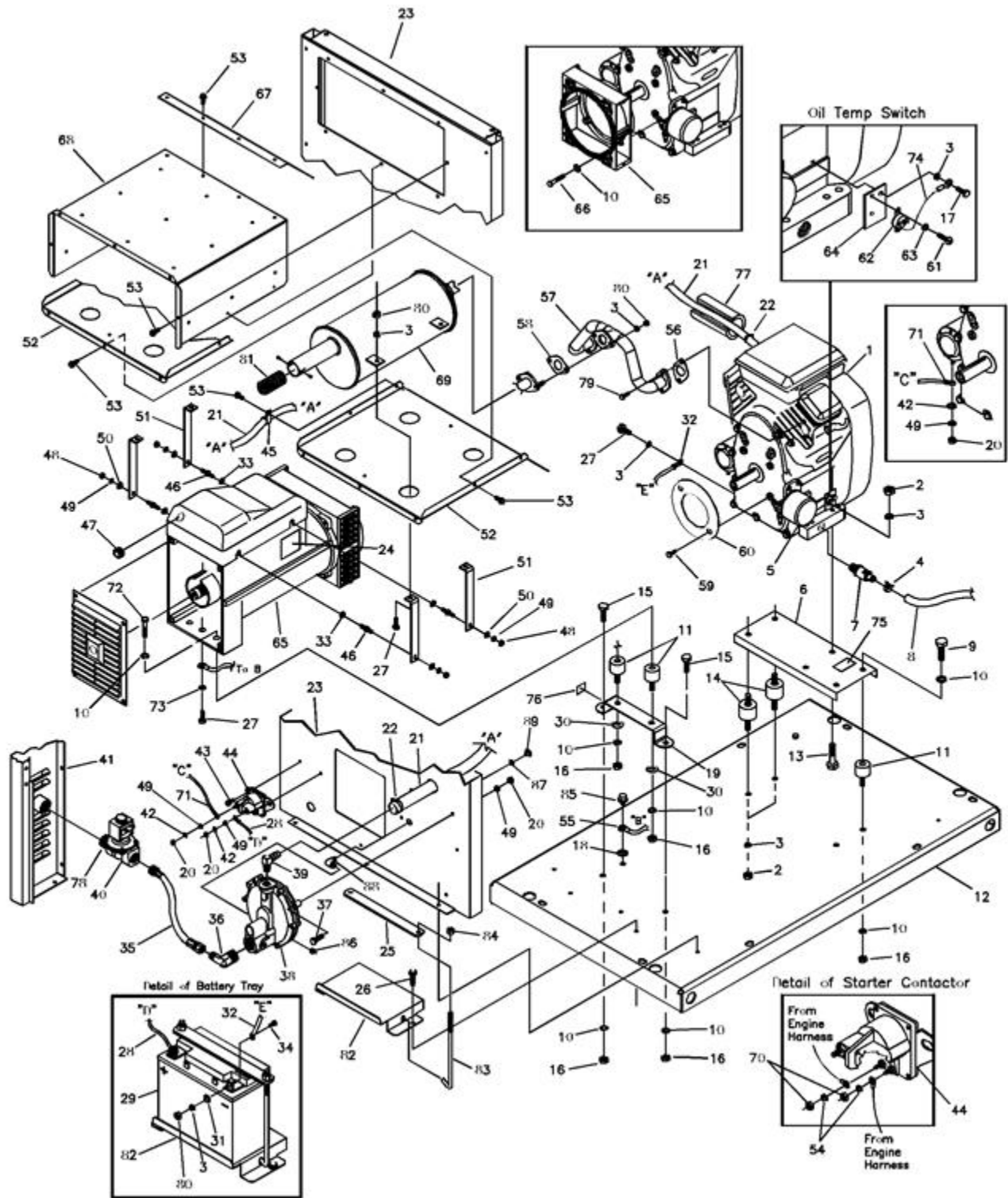


Ref #	Part #	Description	Context Note	Foot Note
1	186564GS	PAD, Fountation Base w/ Holes		
2	H185972GS	BASE, Mounting		
3	186061GS	BUSHING, Stem		
4	H185971GS	DOOR,Alternator Side		
5	186049GS	HANDLE, Door, Recessed Pull		
6	189792GS	PPHMS, #10-32 x 5/8"		
7	H185962GS	CORNER,Alt.Air Inlet Right		
8	B4300GS	SWAG BOLT, 1/4" - 20		
9	H185968GS	BAFFLE, Horizontal,Alt. Side		
10	H185961GS	CORNER,Alt.Air Inlet, Left		
11	H185965GS	PANEL, Muffler Air Out		
12	186582GS	BUSHING, Snap 11/16" I.D.		
13	H185966GS	BULKHEAD,Alternator Side		
14	B5053GS	KEY, Lock		
15	186172GS	ASSEMBLY, Lock/Doors		
16	H187232GS	DOOR, with Insulation		
17	H186046GS	RAIL, Support Upper Front/Back		
18	H187234GS	ROOF, with Insulation		
19	H185963GS	CORNER, Engine Air Inlet Right		
20	H186047GS	RAIL, Support Upper Engine Side		
21	H185969GS	DOOR, Engine Air Inlet		
22	H185964GS	CORNER, Engine, Left Side		
23	H187235GS	BAFFLE, with Insulation		
24	74908GS	TAPTITE, M5		
25	B4986GS	DECAL, Ground		
26	186173GS	BUSHING, Snap, 1" I.D.		
27	H185967GS	BULKHEAD, Engine Side		
28	186065GS	SEAL, Foam Engine Air Inlet		
29	B4889GS	SEAL, Foam Alternator Air Inlet		
30	H186760GS	COVER, Control Panel		
31	29745GS	HHCS, 3/8" - 16 x 1"		
32	185976GS	PLUG, Hole 1-1/8"		
33	22131GS	FLATWASHER, 3/8"		
34	22237GS	LOCKWASHER, 3/8"		
35	22241GS	NUT, 3/8"		
36	187060GS	CLAMP, 3/4" Nylon		
37	186202GS	CLAMP, 1" Nylon		
38	186277GS	WIRE HARNESS, Engine		
39	B5082GS	DECAL, Danger High Voltage		

Ref #	Part #	Description	Context Note	Foot Note
40	22097GS	LOCKWASHER, M6		
41	49813GS	NUT, M6 x 1.0		
42	186790AGS	WIRE, Ground, To Control Panel		
43	186345GS	LUG, Ground		
44	186642GS	DECAL, LP/Natural Gas		
45	186827GS	DECAL, Terminal Strip		
46	28739AGS	TIE WRAP, 4" Black		
47	26850GS	WASHER, Ext. M6 - 1/4" Shakeproof		
	187008GS	KIT, Door Seal		Not Illustrated



Ref #	Part #	Description	Context Note	Foot Note
1	H187234GS	ROOF, with Insulation		
2	186188GS	INSULATION, Baffle Alt. Side		
3	H186030GS	BASE, Muffler Box		
4	H185966GS	BULKHEAD, Alternator Side		
5	186186GS	INSULATION, Bulk Head Alt.. End		
6	B4772GS	CLIPS, Dart		
7	H185968GS	BAFFLE, Horizontal, Alt. Side		
8	H187232GS	DOOR, with Insulation		
9	189144GS	DECAL, Unit		
10	H185972GS	BASE, Mounting		
11	186641GS	DECAL, Operation Instructions		
12	186646GS	DECAL, Warning Engine Can Start		
13	H185962GS	CORNER, Alt. Air Inlet Right		
14	186351GS	INSULATION, Muffler Box		
15	186189GS	INSULATION, Corner, Right Side		
16	186190GS	INSULATION, Corner, Left Side		
17	H185961GS	CORNER, Alt. Air Inlet, Left		
18	186643GS	DECAL, Fuel Inlet		
19	H186038GS	BOX, Muffler		
20	77816GS	DECAL, Hot Muffler		
21	186352GS	INSULATION, Muffler Base		

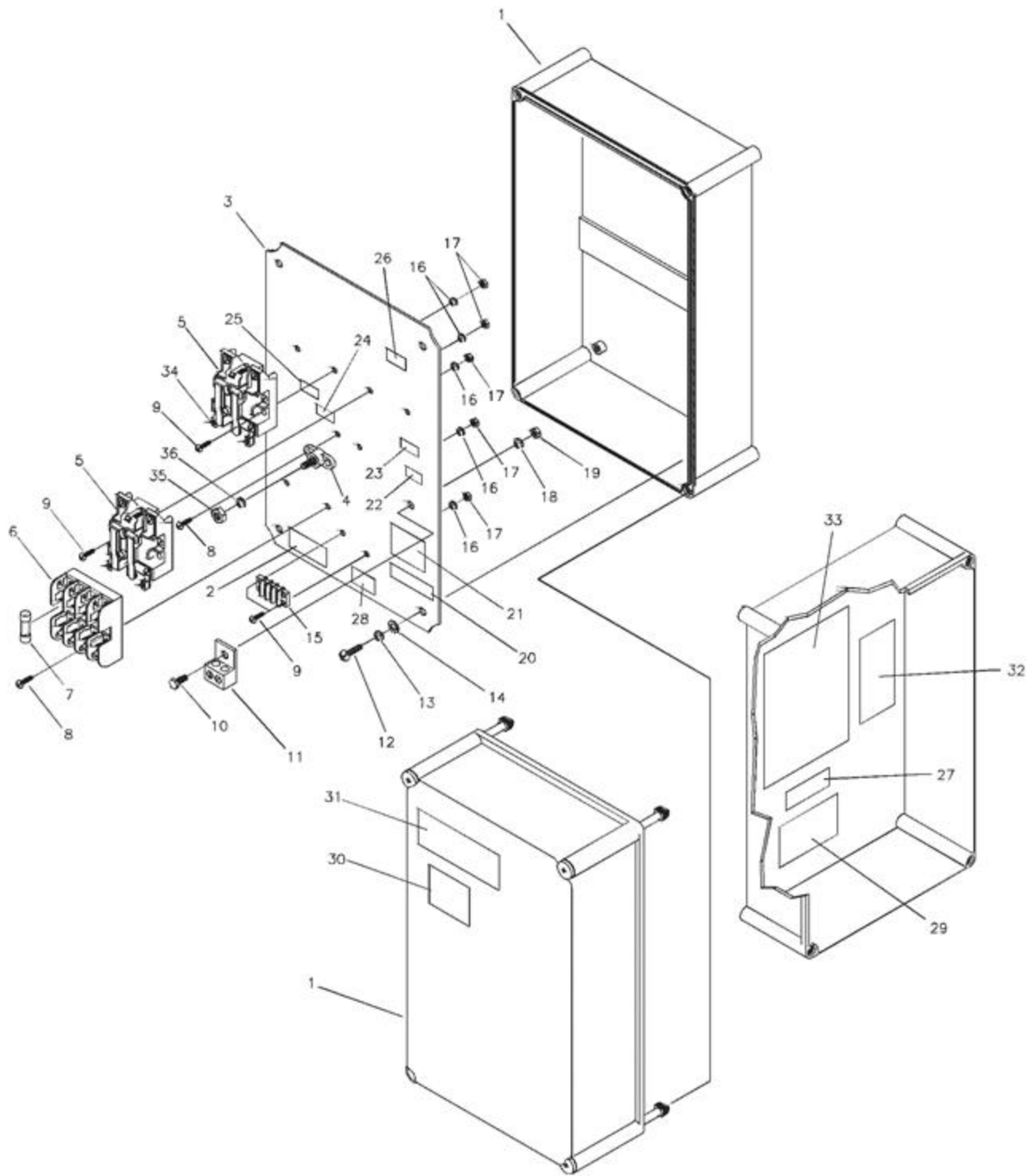


Ref #	Part #	Description	Context Note Foot Note
1	~NSP	ENGINE, B&S, 18 HP	
2	22259GS	NUT, 5/16" - 18	
3	22129GS	LOCKWASHER, 5/16" - M8	
4	48031JGS	CLIP, Hoseband	
5	92134GS	FILTER, Oil	
6	H186285GS	PAN, Engine Mounting	
7	186071GS	VALVE, Oil Drain	
8	186430GS	HOSE, Oil Drain	
9	25017GS	HHCS, 3/8" - 16 x 1/2"	
10	22237GS	LOCKWASHER, 3/8"	
11	38353GS	MOUNTS, Vibration	
12	H185972GS	BASE, Mount	
13	22531GS	HHCS, 5/16" - 18 x 1-3/4"	
14	92609GS	MOUNTS, Vibration	
15	29745GS	HHCS, 3/8" - 16 x 1"	
16	22241GS	NUT, 3/8" - 16	
17	51754GS	HHCS, M8 - 1.25 x 12	
18	187032GS	WASHER, 3/8 Ext., Shakeproof	
19	H185957GS	SUPPORT, Alt.	
20	22127GS	NUT, 1/4" - 20	
21	186152GS	HOSE, Gas Regulator to Engine	
22	57822GS	CLAMP, Hose	
23	H185966GS	BULKHEAD, Alternator Side	
24	186647GS	DECAL, Outdoor Use Only	
25	H189952GS	STRAP, Battery Hold Down	
26	B4300GS	SWAGE BOLT, 1/4" - 20 x 1/2"	
27	42907GS	HHCS, M8 1.25 x 16	
28	188574GS	CABLE, Battery Positive	
29	188443GS	BATTERY, 33AH	
30	22131GS	WASHER, Flat 3/8"	
31	22145GS	WASHER, Flat 5/16 - M8	
32	188573GS	CABLE, Battery Negative	
33	186070GS	WASHER, Fiber .26 x .62 x .06	
34	39253GS	HHCS, M8 x 20	
35	186148GS	HOSE, Gas - regulator	
36	186151GS	ELBOW, Brass, 3/4" NPT x 1/2" Gas	
37	22413GS	HHCS, 1/4" - 20 x 1"	
38	B4774GS	REGULATOR, Gas Fuel	
39	186150GS	ELBOW, Brass 3/8 NPT	

Ref #	Part #	Description	Context Note	Foot Note
40	B4773GS	SOLENOID, Gas Fuel		
41	H185961GS	CORNER,Alt.Air Inlet, Left		
42	26850GS	WASHER, Ext. M6-1/4" Shakeproof		
43	B4300GS	BOLT SWAG, 1/4 - 20		
44	B4769GS	CONTACTOR, Starter		
45	186375GS	CLAMP, Hose		
46	185955GS	STUD, Muffler Mount		
47	187049GS	PLUG, Dome		
48	49813GS	NUT, M6 - 1.0		
49	22097GS	LOCKWASHER, M6 - 1/4"		
50	22473GS	FLAT WASHER, M6 - 1/4"		
51	H186125GS	BRACKET, Muffler		
52	H186030GS	BASE, Muffler Box		
53	56893GS	CRIMPTITE, 10 - 24 x 1/2"		
54	22264GS	LOCKWASHER, M4 #8		
55	186790BGS	WIRE, Ground		
56	67897GS	MANIFOLD, Gasket		
57	185900GS	MANIFOLD, Exhaust		
58	186062GS	GASKET, Manifold, Muffler		
59	86307GS	HHCS, 5/16" x 3/4" SEMS		
60	B4260GS	DISK,Air Blocker		
61	186242GS	PPHMS, #4 - 40 x .019"		
62	186205GS	SWITCH,Thermodisk Oil Temp.		
63	27772GS	LOCKWASHER, #4 Int.Tooth		
64	186206GS	PLATE, Oil Temp Switch		
65	B4268GS	ALTERNATOR, Sincro		
66	22511GS	HHCS, 3/8 - 16 x 1-1/4"		
67	H186320GS	DEFLECTOR, 45° Muffler Box		
68	H186038GS	BOX, Muffler		
69	185894GS	MUFFLER, with Brackets		
70	22471GS	NUT, #8-32		
71	185939CGS	CABLE, Starter		
72	23152GS	HHCS, 3/8" - 16 x 3/4"		
73	27482GS	WASHER, 5/16" Ext. Shakeproof		
74	186790CGS	WIRE, Ground		
75	186649GS	DECAL, Oil Drain		
76	B4986GS	DECAL, Ground, Green		
77	186551GS	INSULATION, Fuel Hose		
78	26915GS	NIPPLE, 3/4" NPT		

Ref #	Part #	Description	Context Note	Foot Note
79	69397GS	BOLT, Manifold		
80	45771GS	NUT, M8 - 1.25		
81	187277GS	SCREEN, Spark Arrestor w/ screws		
82	H189951GS	TRAY, Battery Support		
83	96924GS	J-BOLT		
84	49820GS	NUT, Locking Hex		
85	59637GS	TAPTITE, 3/8" - 16 x 3/4"		
86	96137GS	PLUG, 1/8" - 27		
87	189295GS	FLAT WASHER		
88	A6344GS	FITTING, Barbed, 90°, 1/8" NPT		
89	189294GS	E-RING		

Ref # Part # Description Context Note Foot Note



Ref #	Part #	Description	Context Note	Foot Note
1	B4852GS	BOX, Plastic		
2	B5079GS	DECAL, Utility Load		
3	B4852GS	INSERT, Box		
4	57073GS	NEUTRAL BLOCK		
5	185890GS	RELAY, 900 Series		
6	B4858GS	FUSE HOLDER, 30 Amp		
7	B4857GS	FUSE, 2 Amp, 600 Volt		
8	75475GS	SCREW, M4 x 10		
9	75476GS	SCREW, M4 x 16		
10	43116GS	SCREW, M6 x 12		
11	B4856GS	CONNECTION LUG, Ground		
12	91526GS	SCREW, M5 x 12		
13	49226GS	LOCK WASHER, M5		
14	23897GS	FLAT WASHER, #10		
15	B5052GS	TERMINAL STRIP		
16	22264GS	LOCK WASHER, #8		
17	51715GS	NUT, M4		
18	22097GS	LOCK WASHER, 1/4		
19	49813GS	NUT, M6		
20	B5084GS	DECAL, UL Type		
21	B5083GS	DECAL, UL Listed		
22	B4986GS	DECAL, Ground		
23	B5107GS	DECAL, Generator Connection		
24	B5081GS	DECAL, Neutral		
25	B5106GS	DECAL, Utility Connection		
26	B5105GS	DECAL, Load Connection		
27	B5087GS	DECAL, Intended Use		
28	B5080GS	DECAL, Terminal Strip		
29	186021GS	DECAL, Identification		
30	B5086GS	DECAL, Warning, Live Circuit		
31	B5082GS	DECAL, Danger High Voltage		
32	B5085GS	DECAL, Warning Shock		
33	B5088GS	DECAL, Auto Sequence		
34	B4854GS	TERMINAL, 14-6 Awg		
35	22241GS	NUT, 3/8"-16		
36	22237GS	LOCK WASHER, 3/8"		