

Nibbler - 0 601 534 039 - 1534

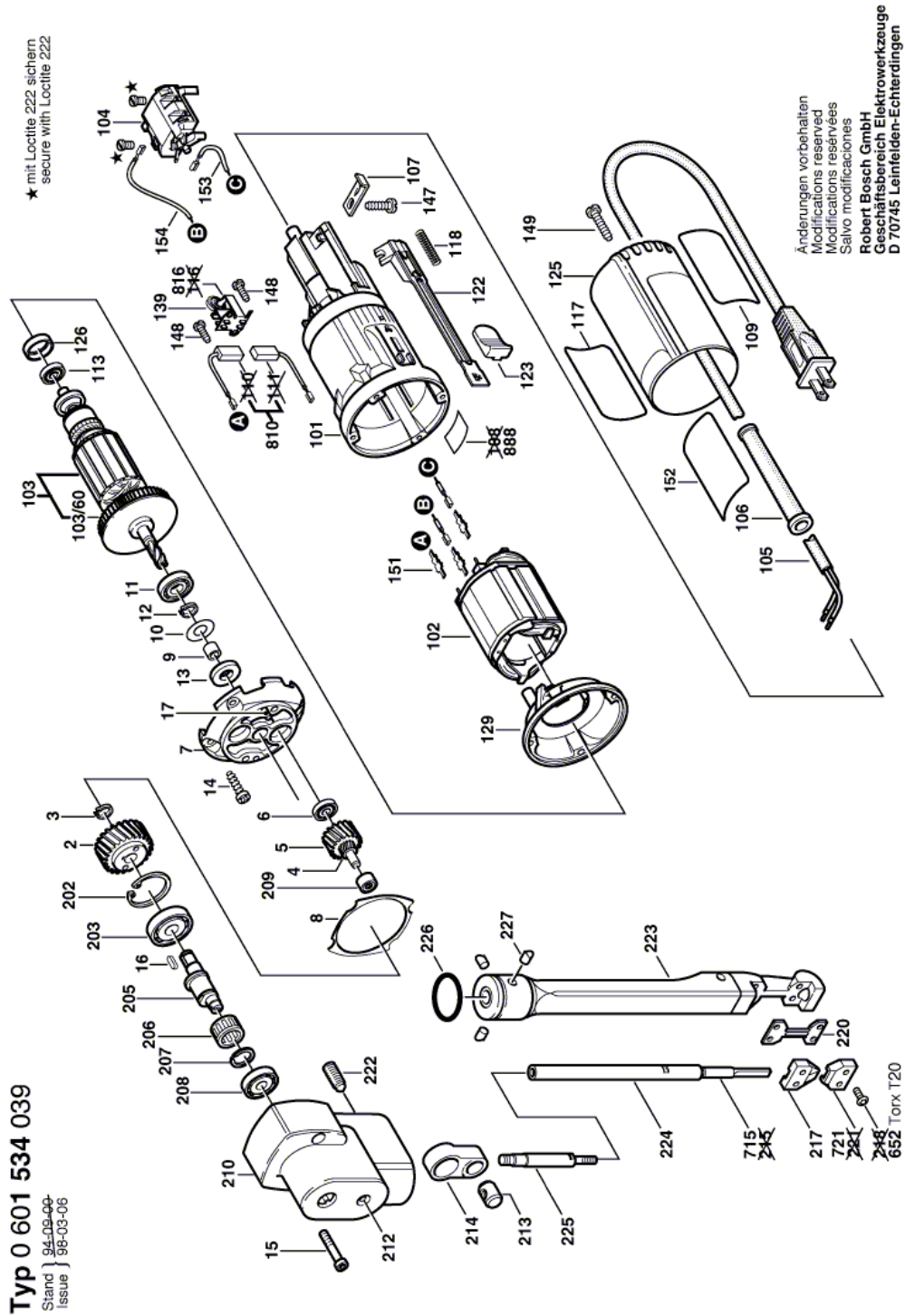
www.powertools-aftersaleservice.com

**BOSCH**

Item	Part Number	Description	Illustration	Price	Quantity	Price Group
	2 3 606 316 080	Cylindrical Gear Z=34		1	-,-	1 41
	3 2 916 640 006	Spring retaining ring DIN 471 9x1MM		1	-,-	1 11
	4 3 606 316 081	Pinion Z=9		1	-,-	1 36
	5 3 606 316 079	Cylindrical Gear Z=17		1	-,-	1 36
	6 1 900 900 232	groove ball bearing 5x16x5		1	-,-	1 29
	7 3 605 700 118	Bearing Flange		1	-,-	1 44
	8 3 601 015 020	Seal		1	-,-	1 15
	9 2 600 400 008	Receptacle		1	-,-	1 11
	10 2 600 500 002	Cupped Washer		1	-,-	1 11
	11 2 600 905 021	groove ball bearing 9x24x7		1	-,-	1 21
	11 1 610 905 017	groove ball bearing 9x24x7		1	-,-	1 25
	12 2 916 660 008	Spring retaining ring DIN 472-24x1,2 MM		1	-,-	1 11
	13 2 600 108 077	Felt Washer		1	-,-	1 11
	14 2 910 211 022	Tapping Screw DIN 7971-BZ3,9x25		1	-,-	4 10
	15 2 910 371 166	Hex Socket Head Cap Screw DIN 6912-M5x30-8.8		1	-,-	2 11
	16 3 602 300 009	Parallel Key		1	-,-	1 13
	17 2 917 510 094	Straight Pin DIN 7-4 M6x10-ST		1	-,-	1 10
	101 1 605 108 2CC	Motor Housing		1	-,-	1 25
	102 2 604 220 428	Field 110-120V		1	-,-	1 32
	103 1 614 010 066	Armature With Fan 115V		1	-,-	1 36
	103/60 2 606 610 049	Fan		1	-,-	1 12
	104 1 607 200 086	On-Off Switch		1	-,-	1 23
	105 1 604 460 138	Power supply cord USA/CDN 2,15m 2 x 082mm SJ 18/2		1	-,-	1 30
	106 2 600 703 013	Grommet Ø7,6-Ø8,2x95 MM		1	-,-	1 13
	107 1 601 302 017	Fastening Clamp		1	-,-	1 10
	109 3 601 110 203	Sticker		1	-,-	1 15
	113 2 600 905 032	Ball Bearing 7x19x6		1	-,-	1 17
	117 1 601 110 916	Manufacturer's nameplate		1	-,-	1 14
	118 1 604 611 026	Compression Spring		1	-,-	1 10
	122 1 602 319 002	Adjusting Slide		1	-,-	1 11
	123 1 602 026 057	Switch Handle BLACK		1	-,-	1 11
	125 3 600 508 025	Housing Cover		1	-,-	1 25

Item	Part Number	Description	Illustration	Price	Quantity	Price Group
126	1 600 502 020	Rubber Bushing	1	-,-	1	11
129	1 601 328 005	Air-Deflector Ring	1	-,-	1	12
139	1 604 652 013	Spiral Spring	1	-,-	2	11
147	2 910 211 018	Tapping Screw DIN 7971-ST3,9x13-F	1	-,-	1	10
148	1 613 435 034	Lens Head Screw 3x10 ST	1	-,-	4	10
149	2 910 211 021	Tapping Screw DIN 7971-ST3,9x22-F	1	-,-	1	10
151	1 604 477 011	Blade terminal	1	-,-	4	12
152	1 601 008 003	Insulating Plate	1	-,-	2	12
153	1 604 448 005	Connecting Cable L=95 MM WHITE	1	-,-	1	14
154	1 604 448 006	Connecting Cable L=40 MM WHITE	1	-,-	1	12
202	3 609 201 325	Spring retaining ring	1	-,-	1	11
203	3 609 201 326	groove ball bearing	1	-,-	1	26
205	3 609 201 327	Eccentric Shaft	1	-,-	1	50
206	3 609 201 328	Needle-Roller Cage	1	-,-	1	27
207	3 609 201 329	Retaining ring	1	-,-	1	11
208	3 609 201 330	groove ball bearing	1	-,-	1	26
209	3 609 201 331	Needle-Roller Bearing	1	-,-	1	32
210	3 609 201 332	Housing	1	-,-	1	46
212	3 609 201 333	Lubricating Nipple	1	-,-	1	11
213	3 609 201 334	Piston Pin	1	-,-	1	33
214	3 609 201 335	Connecting Rod	1	-,-	1	48
216	3 609 201 337	Sleeve	N/A	-,-	1	-
217	3 609 201 338	Plunger Guide	1	-,-	1	47
218	3 609 201 339	Oval-Head Screw	N/A	-,-	4	11
220	3 609 201 341	Guide Plate	1	-,-	1	30
222	3 609 201 343	Set screw	1	-,-	1	24
223	3 609 201 344	Lengthening Piece	1	-,-	1	59
224	3 609 201 345	Plunger Bar	1	-,-	1	35
225	3 609 201 346	Tappet Holder	1	-,-	1	36
226	3 600 210 099	O-Ring	1	-,-	1	18
227	3 600 321 003	Pressure Spindle	1	-,-	3	13
651	3 607 950 008	Offset Screwdriver TORX = T20	N/A	-,-	1	29
652	2 912 771 120	Torx Oval-Head Screw M 4x10MM-8.8	1	-,-	4	11
715	2 608 639 024	Nibbling Punch	1	-,-	1	-
721	2 608 639 023	Lower Die	1	-,-	1	-
810	1 607 014 116	Carbon-Brush Set	1	-,-	1	23
816	1 600 A00 3G4	Brush Holder	1	-,-	1	13
850	2 607 950 004	Offset Screwdriver DIN 911-4	N/A	-,-	1	11
888	1 601 11A 3H3	Nameplate	1	-,-	1	13

Illustration - Type E



Information subject to change without further notice.