

Nibbler - 0 601 533 139 - 1 533 A

www.powertools-aftersaleservice.com

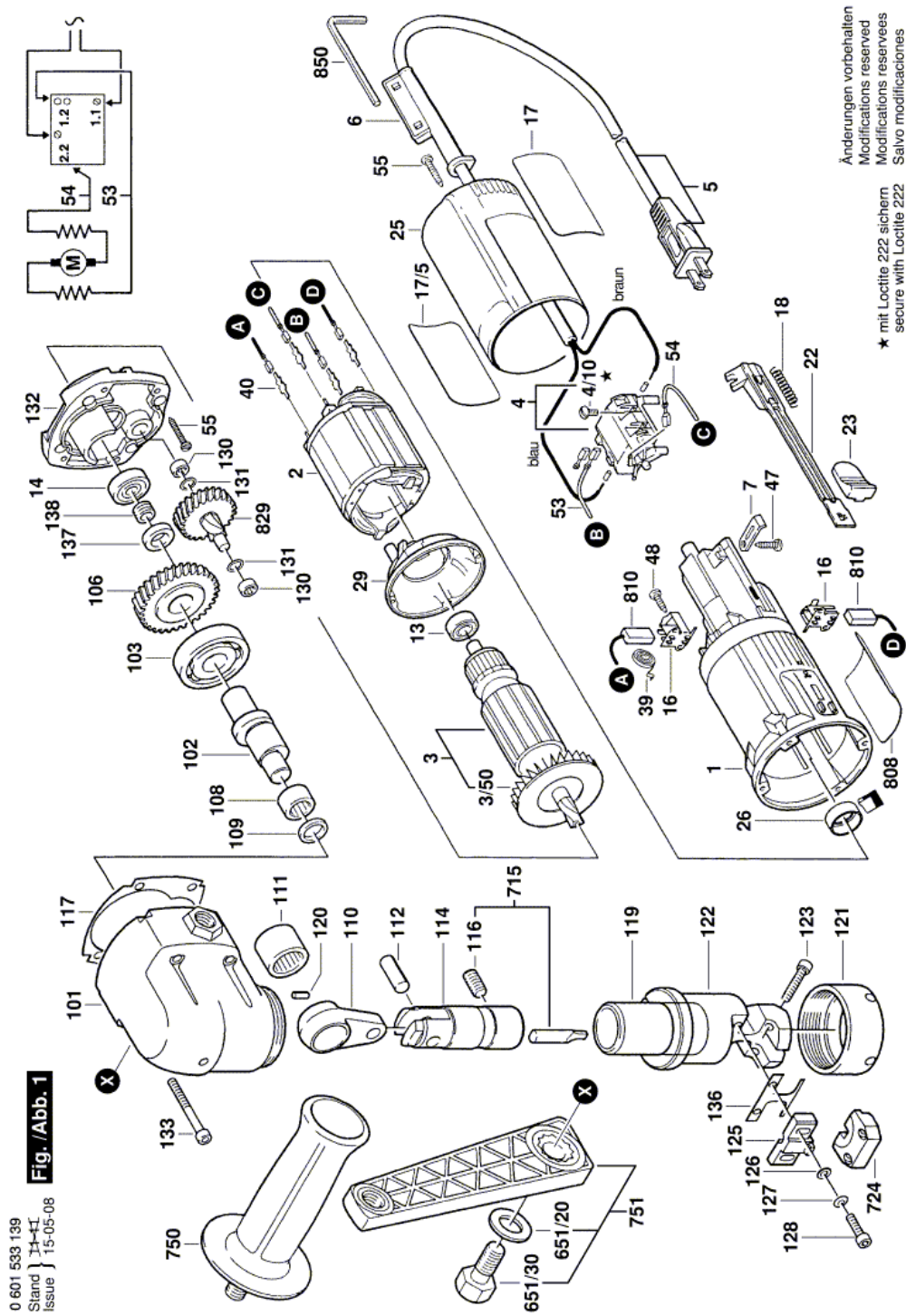


BOSCH

Item	Part Number	Description	Illustration	Price	Quantity	Price Group
1	1 605 108 2CC	Motor Housing	1	-,-	1	25
2	1 614 220 105	Field 100-120V	1	-,-	1	31
3	1 604 010 185	Armature 110-115V	1	-,-	1	38
3/50	2 606 610 049	Fan	1	-,-	1	12
4	1 607 200 086	On-Off Switch	1	-,-	1	23
5	3 604 460 049	Power supply cord	1	-,-	1	31
6	2 600 703 011	Grommet Ø8,3-Ø9,4x95 MM	1	-,-	1	14
6	2 600 703 031	Grommet Ø6,5-Ø6,9x95 MM	1	-,-	1	13
6	2 600 703 032	Grommet Ø7,6-Ø8,2x95 MM	1	-,-	1	11
7	1 601 302 017	Fastening Clamp	1	-,-	1	10
13	2 600 905 032	Ball Bearing 7x19x6	1	-,-	1	17
14	2 600 905 021	groove ball bearing 9x24x7	1	-,-	1	21
16	1 601 323 019	Brush Holder	1	-,-	2	10
17	3 601 110 405	Sticker SUNNY SIDE	1	-,-	1	15
17	2 610 906 874	Sticker	1	-,-	1	17
18	1 604 611 026	Compression Spring	1	-,-	1	10
22	1 602 319 002	Adjusting Slide	1	-,-	1	11
23	1 602 026 057	Switch Handle BLACK	1	-,-	1	11
25	3 600 508 025	Housing Cover	1	-,-	1	25
26	1 600 502 020	Rubber Bushing	1	-,-	1	11
29	1 601 328 005	Air-Deflector Ring	1	-,-	1	12
39	1 604 652 013	Spiral Spring	1	-,-	2	11
40	1 604 477 011	Blade terminal	1	-,-	4	12
47	2 910 211 018	Tapping Screw DIN 7971-ST3,9x13-F	1	-,-	1	10
48	1 613 435 034	Lens Head Screw 3x10 ST	1	-,-	4	10
53	1 604 448 005	Connecting Cable L=95 MM WHITE	1	-,-	1	14
54	1 604 448 006	Connecting Cable L=40 MM WHITE	1	-,-	1	12
55	2 914 201 508	Torx Oval-Head Screw	1	-,-	5	10
101	3 605 806 176	Gear Housing	1	-,-	1	51
102	3 606 110 007	Eccentric Shaft	1	-,-	1	37
103	1 900 905 326	groove ball bearing 6303-2 Z DIN 625	1	-,-	1	32
104	1 601 008 003	Insulating Plate	N/A	-,-	2	12
106	3 606 316 086	Cylindrical Gear Z=37	1	-,-	1	37

Item	Part Number	Description	Illustration	Price	Quantity	Price Group
108	3 600 917 019	Needle bearing	1	-,-	1	24
109	3 600 200 041	Felt Washer	1	-,-	1	12
110	3 602 001 006	Connecting Rod	1	-,-	1	46
111	3 600 917 042	Needle bearing	1	-,-	1	21
112	2 917 530 199	Straight Pin DIN 6325-10m6x24	1	-,-	1	19
114	3 603 070 002	Tappet	1	-,-	1	35
116	2 912 080 238	Set screw DIN 913-M8x16-45H	1	-,-	1	10
117	3 601 006 010	Seal	1	-,-	1	14
119	3 600 400 018	Guide Sleeve	1	-,-	1	32
120	2 917 510 094	Straight Pin DIN 7-4 M6x10-ST	1	-,-	1	10
121	3 603 301 016	Round Nut	1	-,-	1	35
122	3 607 031 358	Lower Die Ring	1	-,-	1	53
123	2 910 141 163	Hex Socket Head Cap Screw DIN 912-M5x22-8.8	1	-,-	2	10
125	3 602 380 009	Guide Piece	1	-,-	1	36
126	2 916 011 011	Plain Washer DIN 433-5,3-ST	1	-,-	2	10
127	2 916 069 159	Spring Washer	1	-,-	2	15
128	2 910 141 160	Hex Socket Head Cap Screw DIN 912-M5x18-8.8	1	-,-	2	10
130	2 600 910 006	Needle bearing Ø7 MM	1	-,-	2	15
131	1 600 100 631	Shim 0,5 MM THICK	1	-,-	2	11
132	3 605 805 026	Bearing Flange	1	-,-	1	43
133	2 910 141 172	Hex Socket Head Cap Screw DIN 912-M5x45-8.8	1	-,-	4	11
136	3 601 181 039	Stop Plate	1	-,-	1	15
137	1 600 290 016	Rotary shaft lip seal	1	-,-	1	12
138	1 600 300 090	Intermediate Ring	1	-,-	1	15
651/20	2 916 011 022	Plain Washer DIN 125-A15-ST	1	-,-	1	11
651/30	2 603 450 009	Hex Screw	1	-,-	1	13
715	2 608 639 025	Nibbling Punch	1	-,-	1	-
724	2 608 639 026	Lower Die	1	-,-	1	-
750	2 602 025 075	Auxiliary Handle M14x1,5 MM BLACK	1	-,-	1	-
751	2 607 001 190	Parts Set	1	-,-	1	-
808	1 601 11A 3H3	Nameplate	1	-,-	1	13
810	3 604 321 019	Carbon Brush	1	-,-	1	26
829	3 606 328 017	Spindle With Gear Z=8/26	1	-,-	1	40
850	2 607 950 004	Offset Screwdriver DIN 911-4	1	-,-	1	11

Illustration - Type E



Information subject to change without further notice.