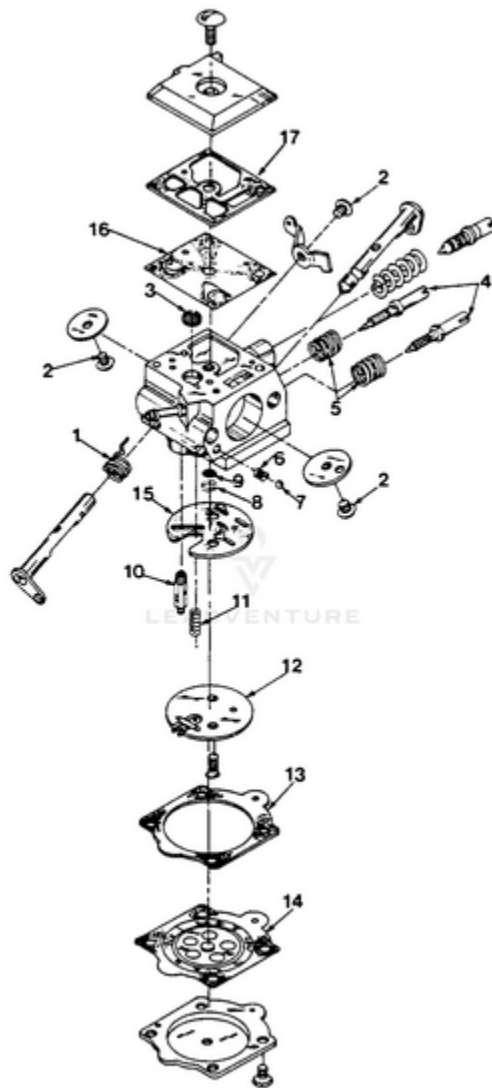


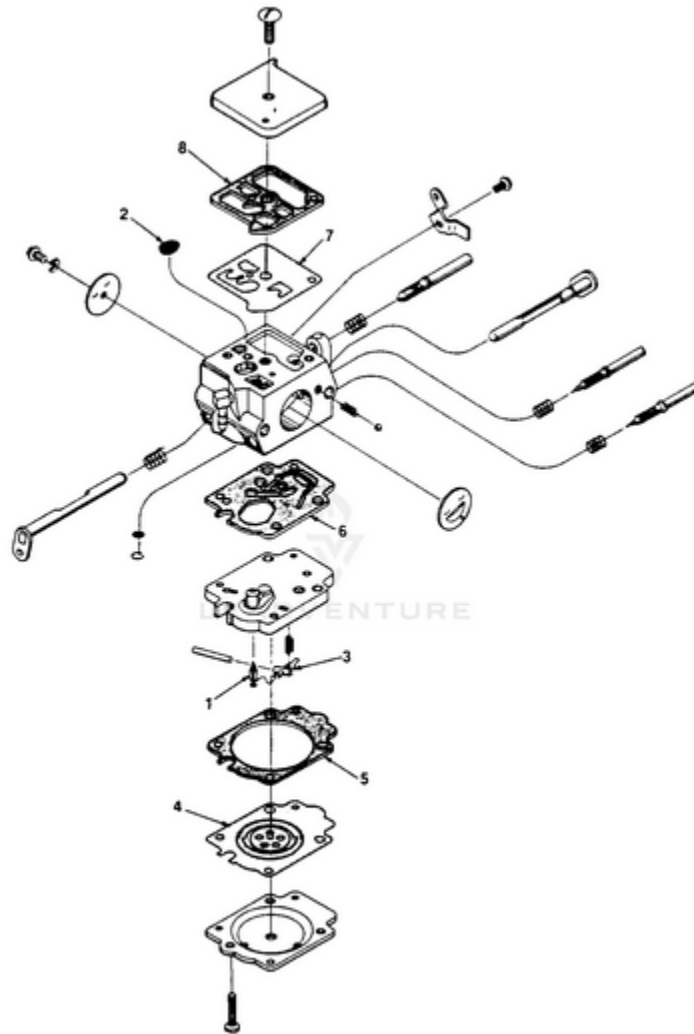
150 Chain Saw UT-10432-B 10432-B-UT 150 Chain Saw UT-10432-B 150 Chain Saw - Carburetor -  
HDC-54



Rendered by Leadventure, Inc.

| <b>Ref #</b> | <b>Part #</b> | <b>Description</b>      | <b>Qty</b> |
|--------------|---------------|-------------------------|------------|
| 1            | 93200B        | Repair Kit              |            |
| 2            | 93200B        | Repair Kit              |            |
| 3            | 93200B        | Repair Kit              |            |
| 4            | 93200B        | Repair Kit              |            |
| 5            | 93200B        | Repair Kit              |            |
| 6            | 93200B        | Repair Kit              |            |
| 7            | 93200B        | Repair Kit              |            |
| 8            | 93200B        | Repair Kit              |            |
| 9            | 93200B        | Repair Kit              |            |
| 10           | 93200B        | Repair Kit              |            |
| 11           | 93200B        | Repair Kit              |            |
| 12           | 93200B        | Repair Kit              |            |
| 13           | 93200B        | Repair Kit              |            |
|              | 94701         | GASKET/Diaphragm Kit    |            |
| 14           | 93200B        | Repair Kit              |            |
|              | 94701         | GASKET/Diaphragm Kit    |            |
| 15           | 93200B        | Repair Kit              |            |
|              | 94701         | GASKET/Diaphragm Kit    |            |
| 16           | 93200B        | Repair Kit              |            |
|              | 94701         | GASKET/Diaphragm Kit    |            |
| 17           | 93200B        | Repair Kit              |            |
|              | 94701         | GASKET/Diaphragm Kit    |            |
|              | 65386         | Repair Kit- Check Valve |            |

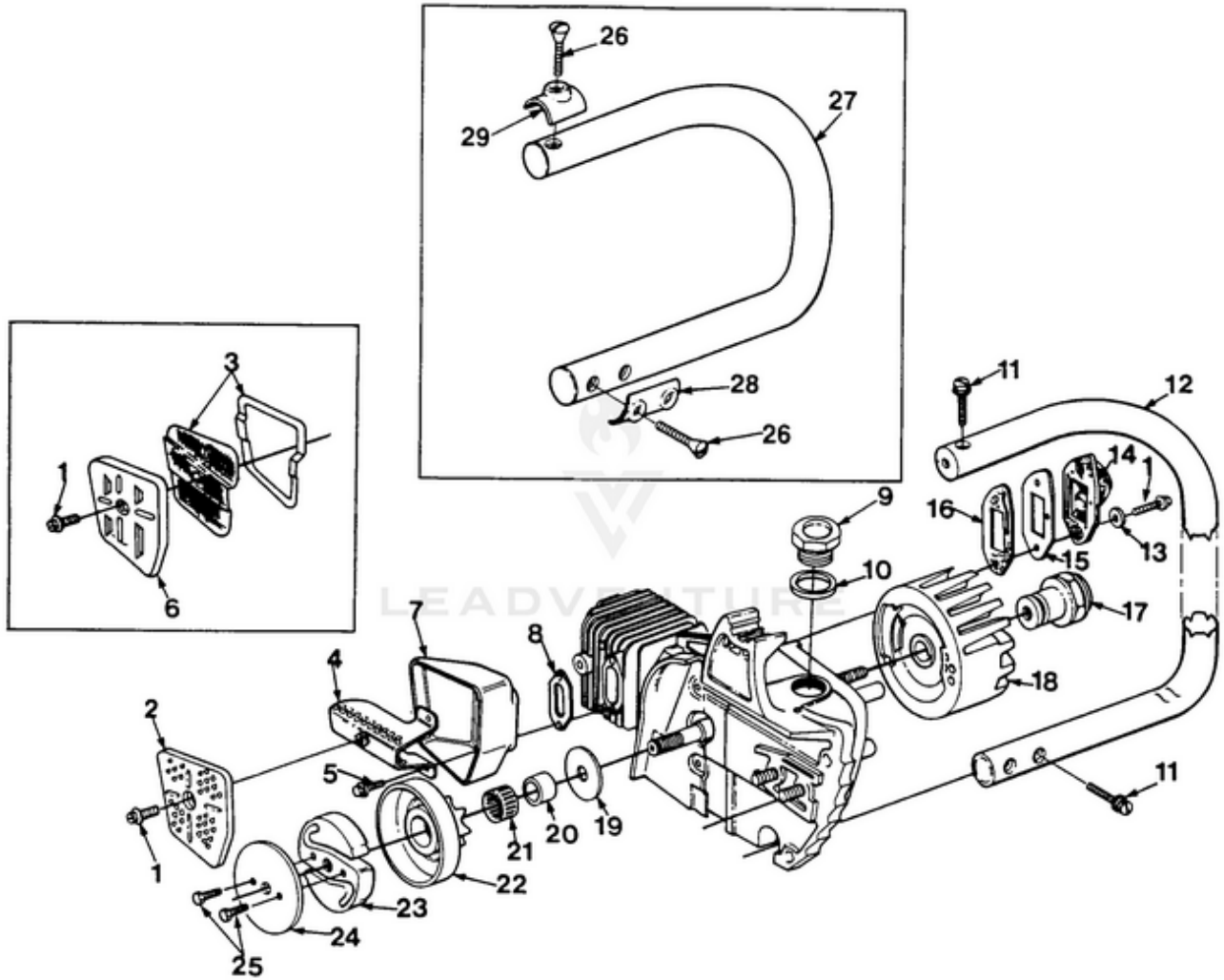
150 Chain Saw UT-10432-B 10432-B-UT 150 Chain Saw UT-10432-B 150 Chain Saw - Carburetor - HK-3D



Rendered by LeadVenture, Inc.

| <b>Ref #</b> | <b>Part #</b> | <b>Description</b>   | <b>Qty</b> |
|--------------|---------------|----------------------|------------|
| 1            | 95697         | Repair Kit           |            |
| 2            | 95697         | Repair Kit           |            |
| 3            | 95697         | Repair Kit           |            |
| 4            | 95697         | Repair Kit           |            |
| 4            | 70094         | Gasket-Diaphragm Kit |            |
| 5            | 95697         | Repair Kit           |            |
| 5            | 70094         | Gasket-Diaphragm Kit |            |
| 6            | 95697         | Repair Kit           |            |
| 6            | 70094         | Gasket-Diaphragm Kit |            |
| 7            | 95697         | Repair Kit           |            |
| 7            | 70094         | Gasket-Diaphragm Kit |            |
| 8            | 95697         | Repair Kit           |            |
| 8            | 70094         | Gasket-Diaphragm Kit |            |
|              | 70109         | Needle-Inlet         |            |

150 Chain Saw UT-10432-B 10432-B-UT 150 Chain Saw UT-10432-B 150 Chain Saw - Clutch, Muffler And Flywheel

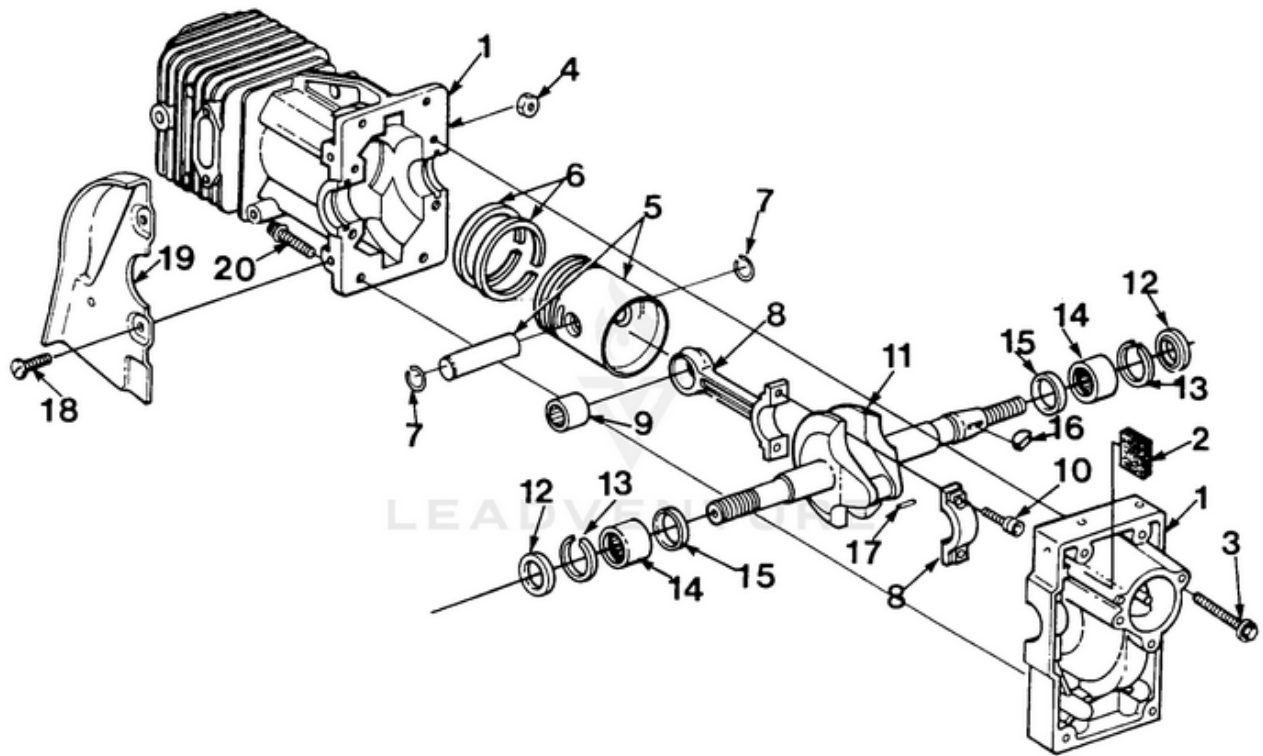


Rendered by LeadVenture, Inc.

| Ref # | Part #   | Description                             | Qty |
|-------|----------|-----------------------------------------|-----|
| 1     | 80983    | SCREW- Hex washer hd.,<br>8-32 x 1/2    | 3   |
| 2     | 685961   | CAP- Muffler (150 AO)                   | 1   |
| 3     | A686661B | ARRESTOR- Spark (150<br>AOW)            | 1   |
| 4     | A68564   | BAFFLE- Muffler                         | 1   |
|       | A-94068  | KIT- Muffler temp. (150<br>AOW)         | 1   |
|       | A686661B | Arrestor                                | 1   |
| 5     | 80939    | SCREW- Hex washer hd.,<br>8-32 x 3/8    | 4   |
| 6     | 94070    | CAP- Muffler (150 AOW)                  | 1   |
|       | 940711   | SHIELD                                  | 1   |
| 7     | 685451   | BODY- Muffler                           | 1   |
| 8     | 68542    | GASKET- Muffler                         | 1   |
| 9     | A68557   | CAP- Oil filler                         | 1   |
| 10    | 68533    | GASKET- Oil filler cap                  | 1   |
| 11    | 82218    | SCREW- Oval hd., 10-24 x<br>1 1/8       | 3   |
| 12    | A709041  | HANDLE BAR                              | 1   |
| 13    | 84103    | WASHER- Flat 7/16 x 3/16<br>x 1/16      | 2   |
| 14    | A685202  | MANIFOLD- Intake                        | 1   |
| 15    | 68671    | COVER- Pulse                            | 1   |
| 16    | 68464    | GASKET- Intake manifold                 | 1   |
| 17    | A68610   | NUT- Rotor                              | 1   |
| 18    | 68530    | ROTOR (point ignition)                  | 1   |
| 18    | 96891    | ROTOR (Solid state)                     | 1   |
| 19    | 65064    | WASHER- Thrust                          | 1   |
| 20    | 65746B   | RACE- Inner                             | 1   |
| 21    | 64124    | BEARING- Needle                         | 1   |
| 22    | A95619   | SPROCKET & DRUM- 7<br>tooth, 3/8" pitch | 1   |
|       | A69953A  | CLUTCH & PLATE                          | 1   |
| 23    | 683627   | CLUTCH "S"                              | 1   |
| 24    | 69915    | PLATE- Clutch                           | 1   |
| 25    | 803612   | SCREW- Hex hd., 10-32 x<br>1/2          | 2   |
| 26    | 82378    | SCREW- 10-24 x 1 5/8<br>(150 E)         | 2   |
| 27    | A95291   | HANDLE BAR (150 E)                      | 1   |

| <b>Ref #</b> | <b>Part #</b> | <b>Description</b>           | <b>Qty</b> |
|--------------|---------------|------------------------------|------------|
| 28           | 69301         | CLAMP- Handle bar<br>(lower) | 1          |
| 29           | 69302         | CLAMP- Handle bar<br>(upper) | 1          |

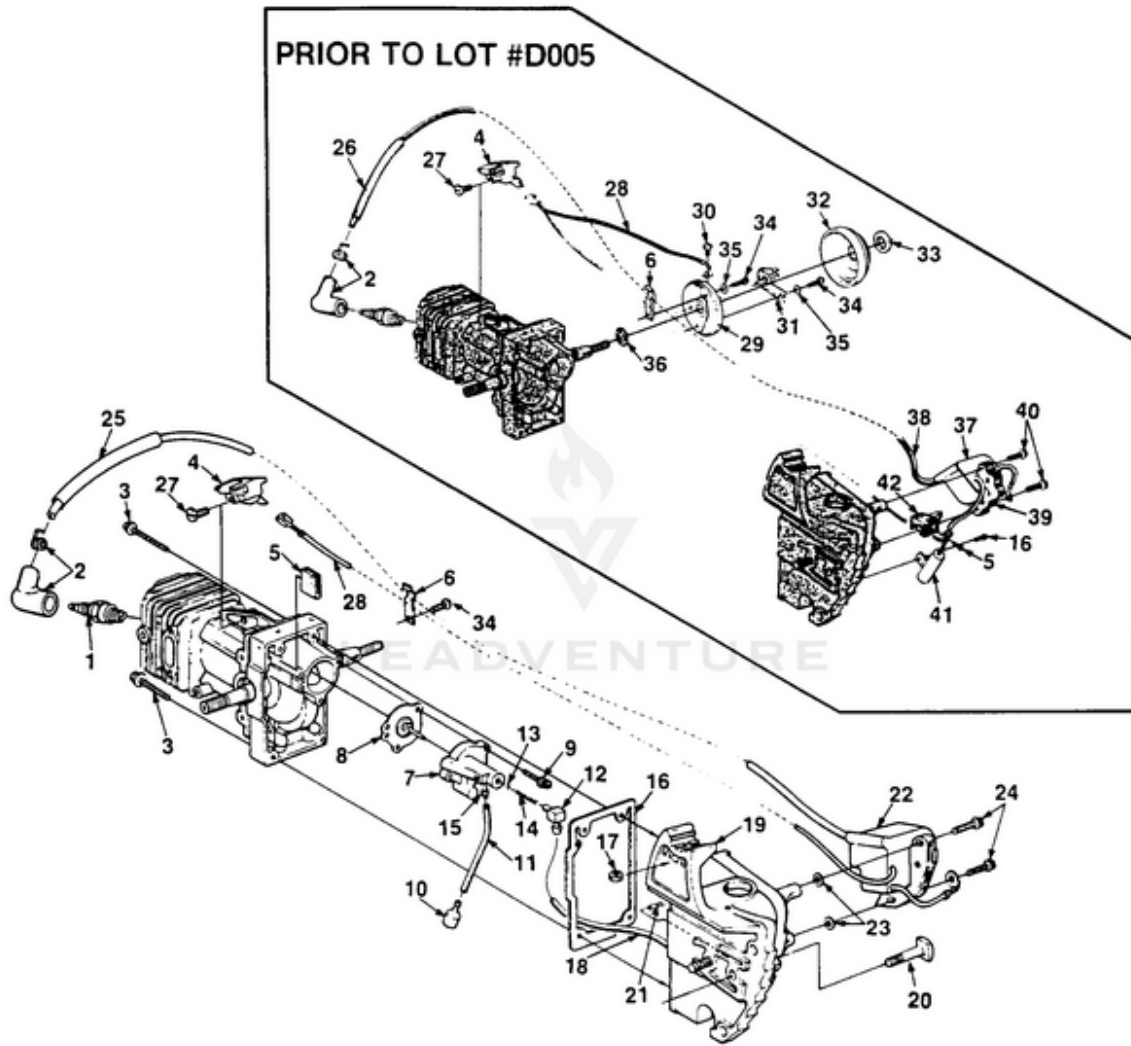
150 Chain Saw UT-10432-B 10432-B-UT 150 Chain Saw UT-10432-B 150 Chain Saw - Engine Internals



Rendered by LeadVenture, Inc.



| <b>Ref #</b> | <b>Part #</b> | <b>Description</b>               | <b>Qty</b> |
|--------------|---------------|----------------------------------|------------|
| 1            | A68643D       | CRANKCASE & CYLINDER             | 1          |
| 2            | 68990A        | COVER- Vent                      | 1          |
| 3            | 88044         | SCREW- Hex washer hd. 8-32 x 1   | 4          |
| 4            | 81223         | NUT- Hex centerlock 8-32         | 4          |
|              | 68623         | CLAMP                            | 1          |
|              | 643091        | PIN- Dowel                       | 1          |
|              | 80571         | SCREW- Pan washer hd. 6-32 x 3/8 | 2          |
| 5            | A68642        | PISTON & PIN                     | 1          |
| 6            | 68508         | PISTON- Ring                     | 2          |
| 7            | 64813         | RING- Piston retaining           | 2          |
| 8            | A68518        | ROD- Connecting                  | 1          |
| 9            | 68512         | BEARING- Needle                  | 1          |
| 10           | 69919         | SCREW- Soc. hd., 8-32 x 1/2      | 2          |
| 11           | 685071        | CRANKSHAFT                       | 1          |
| 12           | 94638         | SEAL                             | 2          |
| 13           | 68514         | RING- Retaining                  | 2          |
| 14           | 12530         | BEARING- Roller                  | 2          |
| 15           | 68509A        | BEARING- Thrust                  | 2          |
| 16           | 65126         | KEY- Woodruff                    | 1          |
| 17           | A68511        | ROLLER- Needle (set of 18)       | 1          |
| 18           | 95922         | SCREW- Pan taptite 8-32 x 5/16   | 3          |
| 19           | 68596         | SHIELD- Sawdust                  | 1          |
| 20           | 82248         | SCREW- Hex hd. 8-32 x 3/4        | 4          |

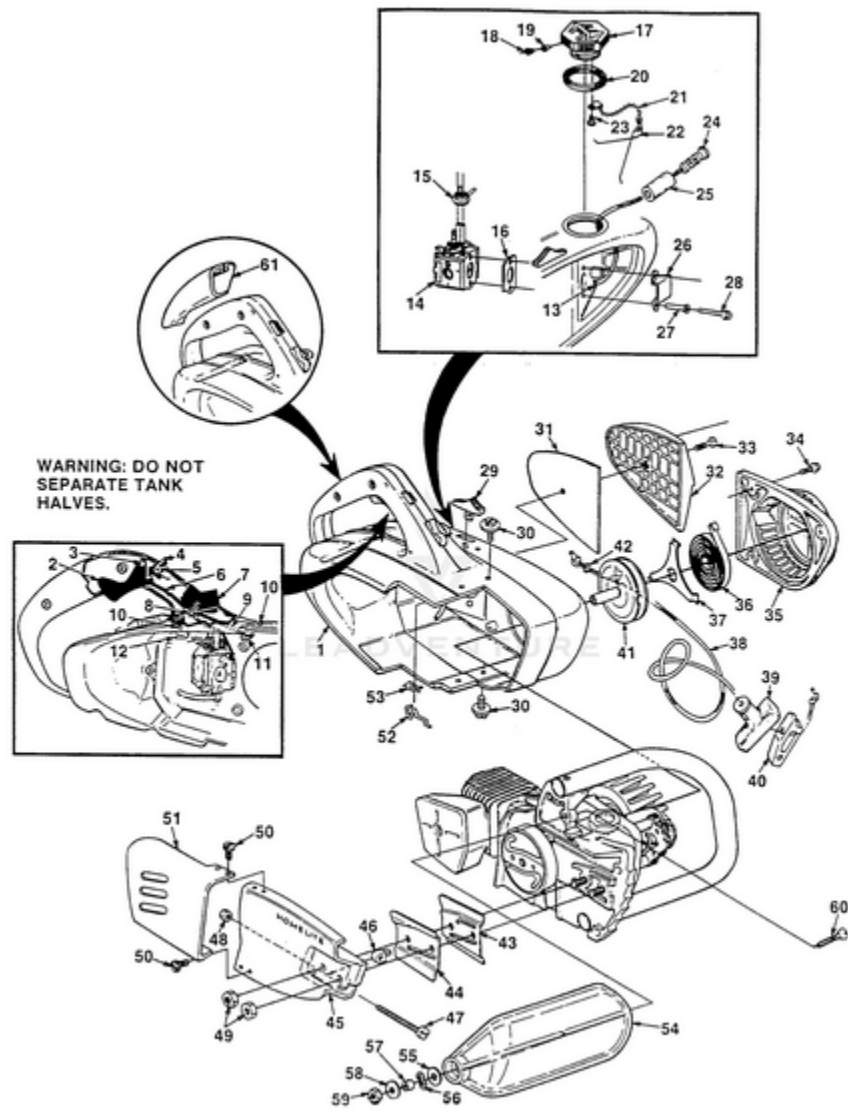


Rendered by LeadVenture, Inc.

| Ref # | Part #   | Description                          | Qty |
|-------|----------|--------------------------------------|-----|
| 1     | 68616S   | SPARK PLUG                           | 1   |
| 2     | A33055   | TERMINAL HIGH TENS(P TBO             | 1   |
| 3     | 88045    | SCREW- Hex washer hd. 8-32 x<br>1.25 | 4   |
| 4     | A69341   | BUSHING & TERMINAL                   | 1   |
| 5     | 68990A   | COVER- Vent                          | 1   |
| 6     | 68623    | CLAMP- High tension lead             | 1   |
| 7     | A70974A  | PUMP- Automatic oil                  | 1   |
| 8     | A68583B  | PLUNGER- Oil pump                    | 1   |
| 9     | 82291    | SCREW- 8-32 x .625                   | 2   |
| 10    | A68593   | FILTER- Oil                          | 1   |
| 11    | 7030909  | LINE- Oil pick-up 2 1/4"             | 1   |
| 12    | 70204    | FITTING- Tube                        | 1   |
| 13    | 60051    | BALL- Check friction                 | 1   |
| 14    | 68570    | SPRING- Choke valve                  | 1   |
| 15    | 94619    | FITTING- Tube                        | 1   |
| 16    | 68589C   | GASKET- Oil tank                     | 1   |
| 17    | 81208    | NUT- Hex centerlock 10-24            | 1   |
| 18    | 9311219  | RUBBER- Tubing 4 3/4                 | 1   |
| 19    | A937431A | TANK- Oil                            | 1   |
| 20    | 58753    | BOLT- Guide bar                      | 2   |
| 21    | 70972    | FITTING- Tube                        | 1   |
| 22    | A97026   | KIT- Ignition conversion             | 1   |
| 23    | 84101    | WASHER- Flat                         | 2   |
| 24    | 82248    | SCREW- Mach                          | 2   |
| 25    | 96907    | SLEEVE- Insulating                   | 1   |
| 26    | 68625    | SLEEVE- Wire (fiberglass)            | 1   |
| 27    | 82256    | SCREW- Pan hd., plastite (6 x 1/4)   | 2   |
| 28    | A93626   | LEAD- Stop switch                    | 1   |
| 29    | A69533A  | BOX- Breaker                         | 1   |
| 30    | 82256    | SCREW- Plastite #6 x 1/4             | 1   |
| 31    | A94631   | POINTS- Breaker                      | 1   |
| 32    | A94231   | COVER- Breaker box                   | 1   |
| 33    | 68618A   | SEAL- Breaker box cover              | 1   |
| 34    | 80571    | SCREW- Pan washer hd., 6-32 x 3/8    | 2   |
| 35    | 84025    | WASHER- Flat #8                      | 2   |
| 36    | 93849    | SEAL                                 | 1   |
| 37    | A68649A  | COIL- Ignition                       | 1   |
| 38    | 68629    | LEAD- Hi-tension                     | 1   |
| 39    | A68648   | CORE                                 | 1   |
|       | 68257    | RETAINER- Coil                       | 1   |

| <b>Ref #</b> | <b>Part #</b> | <b>Description</b>        | <b>Qty</b> |
|--------------|---------------|---------------------------|------------|
| 40           | 82248         | SCREW- Hex hd. 8-32 x 3/4 | 2          |
| 41           | 68543         | CONDENSER                 | 1          |
| 42           | 68613         | BLOCK- Terminal           | 1          |

150 Chain Saw UT-10432-B 10432-B-UT 150 Chain Saw UT-10432-B 150 Chain Saw - Starter, Tank And Drivecase Cover



Rendered by LeadVenture, Inc.

| Ref # | Part #   | Description                                  | Qty |
|-------|----------|----------------------------------------------|-----|
| 1     | A686441A | ENGINE COVER                                 | 1   |
| 1     | A69549A  | ENGINE COVER                                 | 1   |
| 2     | A-93044  | TRIGGER- Throttle                            | 1   |
| 3     | 68548    | PIN- Trigger                                 | 1   |
| 4     | 68626    | SPRING- Trigger latch                        | 1   |
| 5     | 68641    | PIN- Grooved                                 | 1   |
| 6     | 68550    | LINKAGE- Throttle                            | 1   |
| 7     | 68580    | BUTTON- Stop switch                          | 1   |
| 8     | 68581    | SPRING- Stop switch                          | 1   |
| 9     | 68576    | LINK- Grounding switch                       | 1   |
| 10    | 85061    | RIVET                                        | 1   |
| 11    | 68577    | CONTACT- Grounding switch                    | 1   |
| 12    | 68639    | CLAMP- High tension                          | 1   |
| 13    | 9477232  | TUBING- Rubber (fuel) 8"                     | 1   |
| 14    | A69957B  | CARBURETOR- Walbro<br>HDC-54                 | 1   |
|       | A95230A  | CARBURETOR- Till HK-30<br>(alternate source) | 1   |
| 15    | A-70332  | DETENT- Carburetor                           | 1   |
| 16    | 68537    | SPACER- Carburetor                           | 1   |
| 17    | A69500A  | CAP- Fuel filler                             | 1   |
| 18    | 69454    | FILTER- Fuel cap                             | 1   |
| 19    | 69451    | VALVE- Check                                 | 1   |
| 20    | 69501    | GASKET- Fuel filler cap                      | 1   |
| 21    | 69502    | CHAIN- Bead                                  | 1   |
| 22    | 69503    | RETAINER                                     | 1   |
| 23    | 82256    | SCREW- Pan hd., #6 x 1/4                     | 1   |
| 24    | A69923   | USE UP06560                                  | 1   |
| 25    | 64083    | ELEMENT- Felt filter                         | 1   |
| 26    | 68534    | DEFLECTOR- Air                               | 1   |
| 27    | 68560    | BUSHING- Flanged                             | 1   |
| 28    | 82224    | SCREW- Hex washer hd., 8-32<br>x 2           | 2   |
| 29    | 68551    | BUTTON- Choke                                | 1   |
| 30    | 69335A   | SCREW- Sems hex hd., 10-24<br>x 5/8          | 4   |
| 31    | 68532    | FILTER- Element air                          | 1   |
| 32    | 68531A   | COVER- Air filter                            | 1   |
| 33    | 68535    | SCREW- Cover retaining                       | 1   |
| 34    | 80983    | SCREW- Hex washer hd., 8-32<br>x 1/2         | 2   |
|       | A68611A  | STARTER- Complete                            | 1   |

| <b>Ref #</b> | <b>Part #</b> | <b>Description</b>                      | <b>Qty</b> |
|--------------|---------------|-----------------------------------------|------------|
| 35           | A68523A       | HOUSING- Starter                        | 1          |
| 36           | 65107         | SPRING- Rewind                          | 1          |
| 37           | 68612         | RETAINER- Rewind spring                 | 1          |
| 38           | A93876        | USE UP06820                             | 1          |
| 39           | A69962B       | GRIP- Starter rope                      | 1          |
| 40           | 70018A        | INSERT- Rope retaining                  | 1          |
| 41           | A68645A       | PULLEY- Starter                         | 1          |
| 42           | 93862         | WASHER- Nylon                           | 1          |
| 43           | 67300C        | PLATE- Guide bar (inner)                | 1          |
| 44           | 67299C        | PLATE- Guide bar (outer)                | 1          |
| 45           | A686141A      | COVER- Drivecase                        | 1          |
| 46           | 651121        | PIN- Guide bar adjusting                | 1          |
| 47           | 65175A        | SCREW- Guide bar adjusting              | 1          |
| 48           | 81206         | NUT- Hex centerlock, 10-32              | 1          |
| 49           | 81196         | NUT- Hex 5/16-18                        | 2          |
| 50           | 80939         | SCREW- Pan hd., 8-32 x 3/8<br>(150 AOW) | 2          |
| 51           | 940711        | SHIELD MUFFLER- (150<br>AOW)            | 1          |
| 52           | 68552         | ROD- Choke                              | 1          |
| 53           | 68584A        | SPRING- Choke                           | 1          |
| 54           | A-95088       | HANDGUARD                               | 1          |
| 55           | 95935         | WASHER                                  | 1          |
| 56           | 96757         | WASHER                                  | 1          |
| 57           | 95937         | SPACER                                  | 1          |
| 58           | 840651        | WASHER                                  | 1          |
| 59           | 81225         | NUT- Hex (12-24)                        | 1          |
| 60           | 80945         | SCREW- Flat head                        | 1          |
| 61           | 69303         | COVER- Right hand                       | 1          |

## ACCESSORIES

|                               |           |
|-------------------------------|-----------|
| GREASE                        | 17193     |
| KIT- Spike bumper             | A-68655   |
| Includes:                     |           |
| SCREW (2)                     | 80648     |
| NUT (2)                       | 81206     |
| REEL- 250 Ft. starter rope #4 | 68848     |
| TUBING- Rubber 10 ft.         | 70309-99  |
| TUBING- Rubber 10 ft.         | 94772-99  |
| TUBING- Rubber 10 ft.         | 93112-99  |
| PAINT- Red- 12oz.             | 23475     |
| CASE- Carrying                | 94216     |
| DECALS- Set of four           | A-69048-A |

## TOOLS

|                                           |         |
|-------------------------------------------|---------|
| TOOL- Check valve                         | 24972   |
| GAUGE- (.015 pink plastic feeler)         | 22486   |
| LOCTITE                                   | 23488-C |
| PLUG- Needle bearing installation         | 23756   |
| PULLER- Magneto rotor                     | A-24544 |
| Includes:                                 |         |
| SCREW- Hex 10-32 x 1 3/8 (4)              | 82162   |
| WASHER- Flat #10 (4)                      | 84003-1 |
| NUT- Hex centerlock 10-32 (4)             | 81206   |
| SCREWDRIVER                               | 24541   |
| SHIM (.012 black plastic) Magneto air gap | 24306   |
| SPACER- Plug                              | 24548   |
| WRENCH- Spanner (clutch)                  | A-93791 |
| Includes:                                 |         |
| PIN- Clutch spanner (2)                   | 23717-A |
| WRENCH- Socket                            | 68651   |

Rendered by LeadVenture, Inc.



| <b>Ref #</b> | <b>Part #</b> | <b>Description</b>                           | <b>Qty</b> |
|--------------|---------------|----------------------------------------------|------------|
| 17193        | 17193         | GREASE                                       |            |
| A-68655      | A-68655       | KIT- Spike bumper                            |            |
| 80648        | 80648         | SCREW (2)                                    |            |
| 81206        | 81206         | NUT (2)                                      |            |
| 68848        | 68848         | REEL- 250 Ft. starter rope #4                |            |
| 7030999      | 7030999       | TUBING- Rubber 10 ft.                        |            |
| 9477299      | 9477299       | TUBING- Rubber 10 ft.                        |            |
| 9311299      | 9311299       | TUBING- Rubber 10 ft.                        |            |
| 23475        | 23475         | PAINT- Red- 12 oz.                           |            |
| 94216        | 94216         | CASE- Carrying                               |            |
| A69048A      | A69048A       | DECALS- Set of four                          |            |
| 24972        | 24972         | TOOL- Check valve                            |            |
| 22486        | 22486         | GAUGE- (.015 pink plastic feeler)            |            |
| 23488C       | 23488C        | LOCTITE                                      |            |
| 23756        | 23756         | PLUG- Needle bearing installation            |            |
| A-24544      | A24544        | USE A24544A                                  |            |
| 82162        | 82162         | SCREW- Hex 10-32 x 1 3/8 (4)                 |            |
| 840031       | 840031        | WASHER- Flat #10 (4)                         |            |
| 81206        | 81206         | NUT- Hex centerlock 10-32 (4)                |            |
| 24541        | 24541         | SCREWDRIVER                                  |            |
| 24306        | 24306         | SHIM (.012 black plastic) Magneto<br>air gap |            |
| 24548        | 24548         | SPACER- Plug                                 |            |
| A-93791      | A93791        | CLUTCH TOOL                                  |            |
| 23717A       | 23717A        | PIN- Clutch spanner (2)                      |            |
| 68651        | 68651         | WRENCH- Socket                               |            |