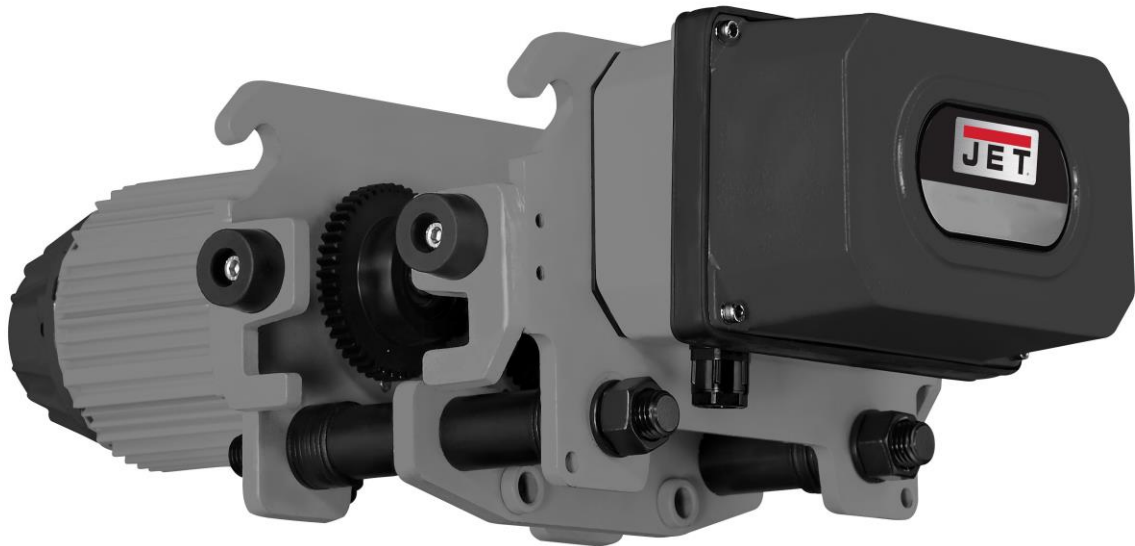




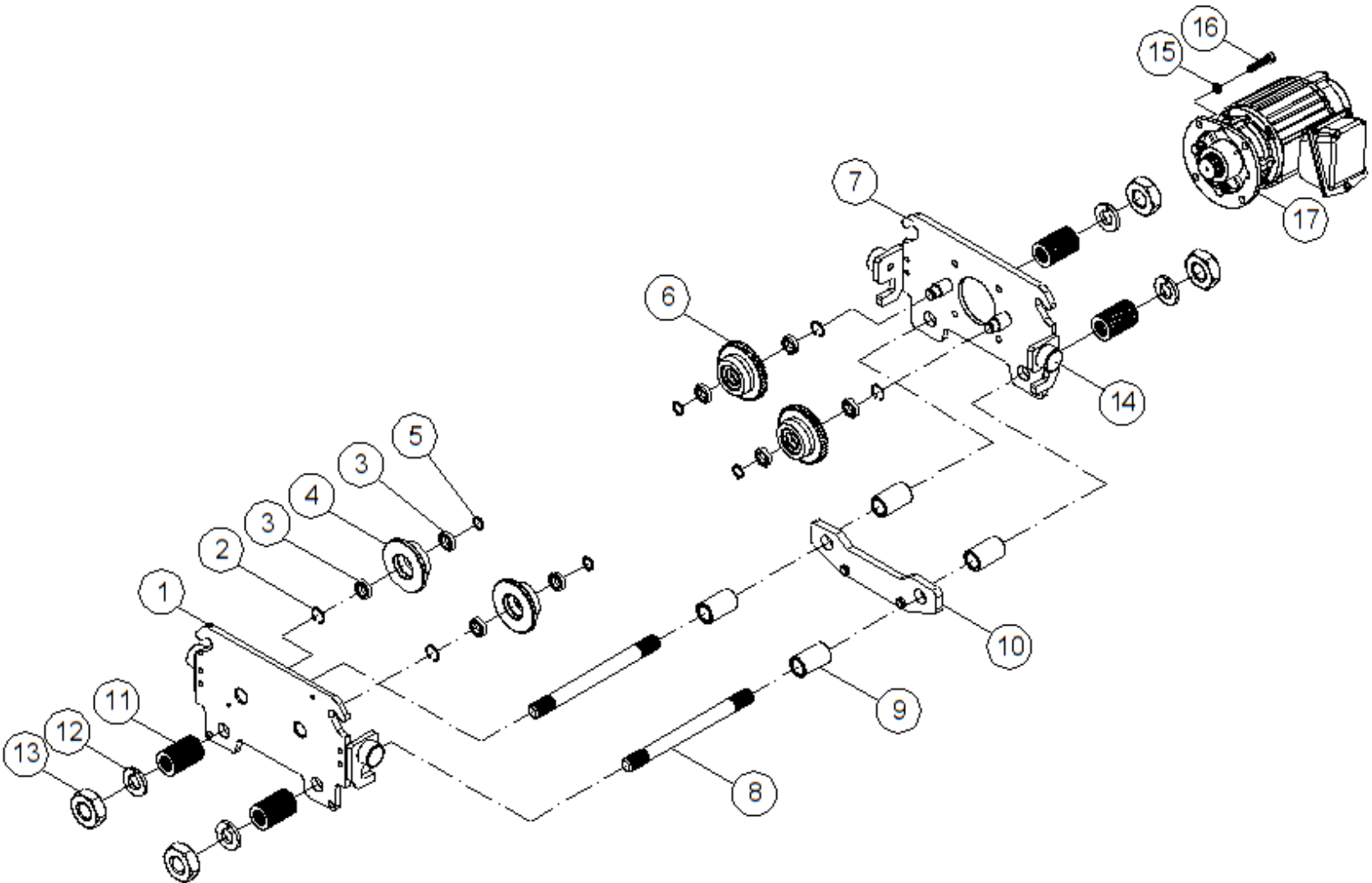
# Operating Instructions and Parts Manual MT Series 2-speed Electric Trolley



**JET**  
427 New Sanford Road  
LaVergne, Tennessee 37086  
Ph.: 800-274-6848  
www.jettools.com

**Document No. M-140183**  
Edition 1 06/2020  
Copyright © 2020 JET

11.1.1 MT050 and MT100 Trolley Frame – Exploded View



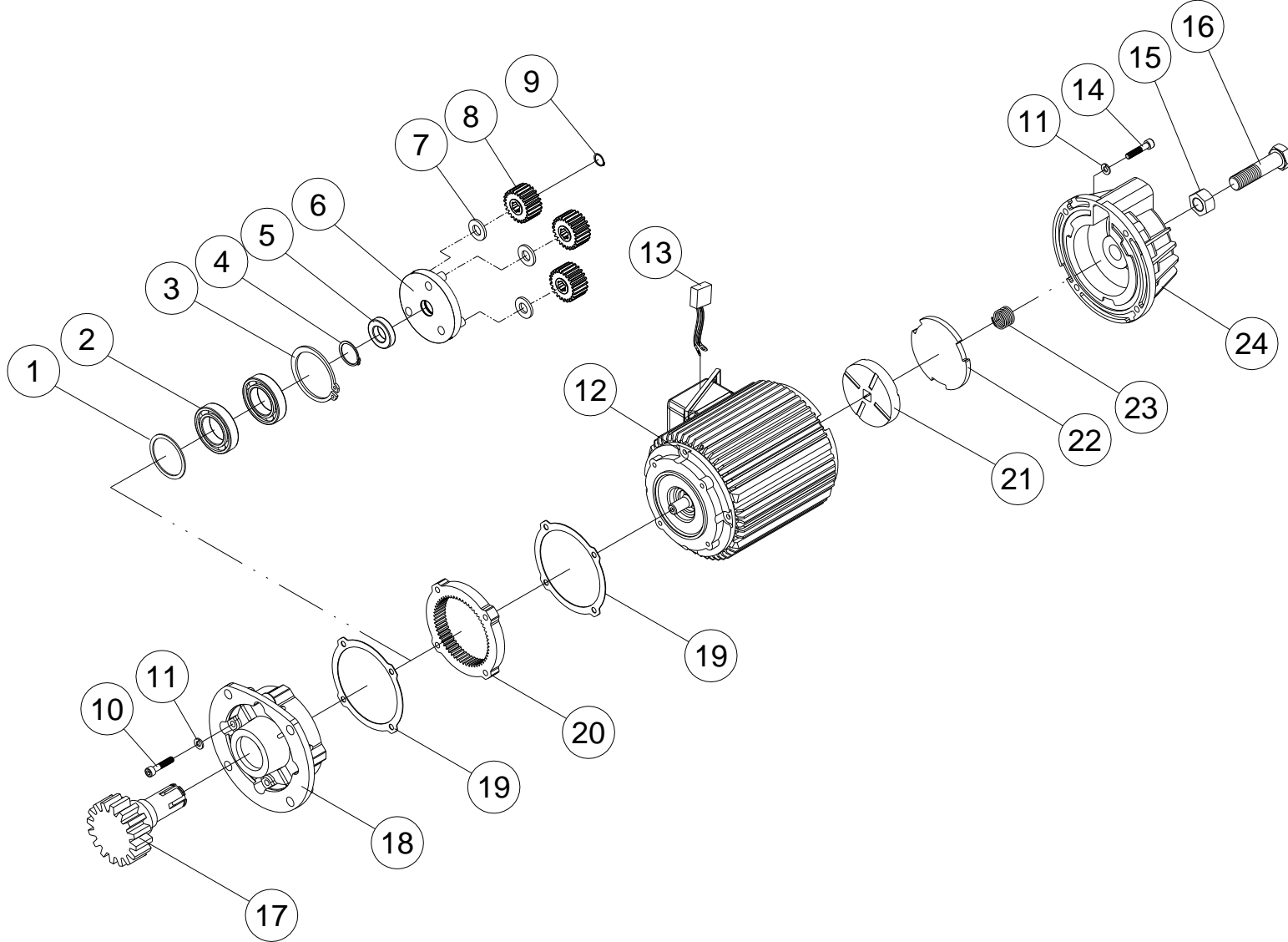
### 11.1.2 MT050 and MT100 Trolley Frame – Parts List

Index No.	Part No.	Description	Size	Qty
1	MT050-A01	Electric Frame Assembly		1
	MT100-A01	Electric Frame Assembly		1
2	F006035	C-Retaining Ring, Int	R-40	4
3	BB-6203ZZ	Bearing	6203ZZ	4
4	MT050-A04	Plain Wheel	Ø88x28L	2
5	F006045	C-Retaining Ring, Ext	S-17	4
6	MT050-A06	Gear Wheel	M2x46Tx33L	2
7	MT050-A07	Motor Frame Assembly		1
	MT100-A07	Motor Frame Assembly		1
8	MT050-A08	Stay Bolt	7/8"x9UNCx265L	2
	MT100-A08	Stay Bolt	1"x8UNCx265L	2
9	MT050-A09	Position Tube	Ø34xØ24x56L	4
	MT100-A09	Position Tube	Ø38xØ28x56L	4
10	MT050-A10	Load Bracket		1
	MT100-A10	Load Bracket		1
11	MT050-A11	Spacer Washer	Ø40xØ24x1/8"	32
	MT100-A11	Spacer Washer	Ø46xØ27x1/8"	32
12	MT050-A12	Spring Washer	7/8"	4
	MT100-A12	Spring Washer	1"	4
13	MT050-A13	Hex. Nut	7/8"x9UNC	4
	MT100-A13	Hex. Nut	1"x8UNC	4
14	MT050-A14	Bumper		4
15	TS-2361101	Spring Washer	M10	4
16	TS-1491021	Hex. Head Bolt	M10x1.5x20L	4
17	MT050-A17	Motor Assembly	3~230V,60Hz,0.12/0.03kW	1
	MT100-A17	Motor Assembly	3~230V,60Hz,0.18/0.04kW	1

### Extension Kit Accessories for MT050 and MT100

Part No.	Description	"E" width, sect. 4.0
MT050-A08AB	Includes #8, #9, #11~#13	4.96~8.26 in. (126~210mm)..... OPTIONAL
MT050-A08AC	Includes #8, #9, #11~#13	8.3~12.2 in. (211~310mm)..... OPTIONAL
MT100-A08AB	Includes #8, #9, #11~#13	4.96~8.26 in. (126~210mm)..... OPTIONAL
MT100-A08AC	Includes #8, #9, #11~#13	8.3~12.2 in. (211~310mm)..... OPTIONAL

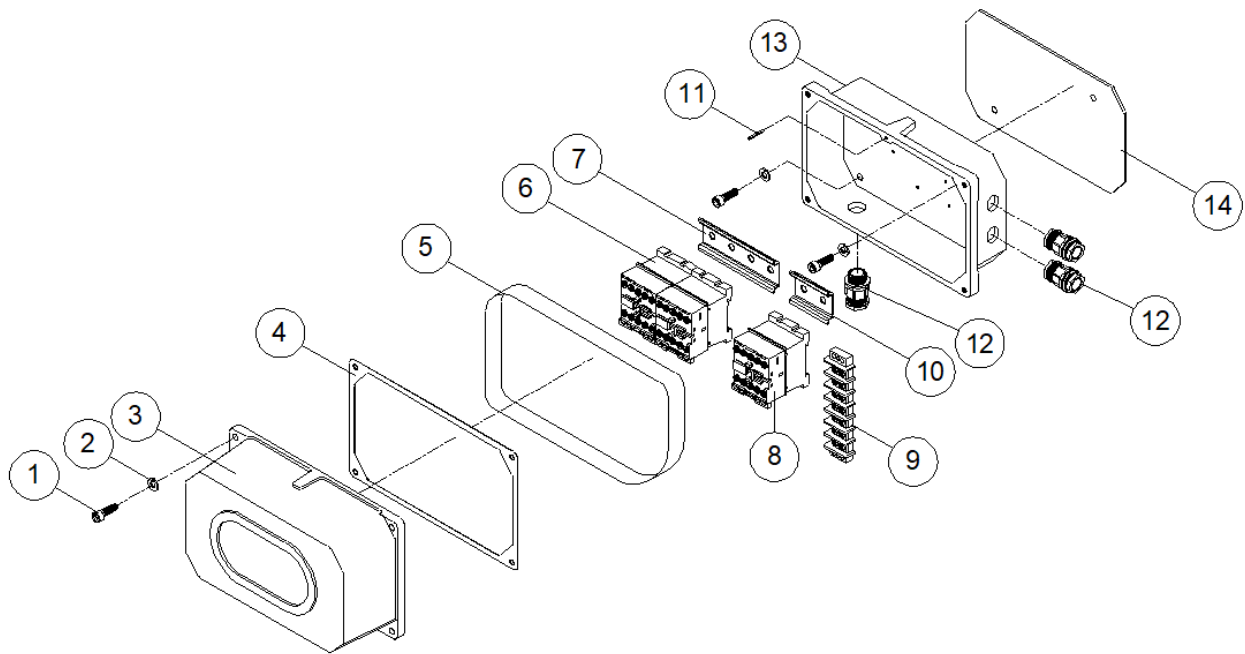
11.2.1 MT050 and MT100 Trolley Motor – Exploded View



## 11.2.2 MT050 and MT100 Trolley Motor – Parts List

Index No.	Part No.	Description	Size	Qty
1	MT050-B01	Oil Seal	Ø25xØ40x6t	1
2	BB-6204Z	Bearing	6204Z	2
3	F006075	C-Retaining Ring, Int	R-47	1
4	F006047	C-Retaining Ring, Ext	S-20	1
5	MT050-B05	Axle Sleeve		1
6	MT050-B06	Reducing Gear Frame Assembly		1
7	MT050-B07	Flat Washer	Ø21xØ11x2t	3
8	MT050-B08	Planetary Gear		3
9	F006040	C-Retaining Ring, Ext	S-10	3
10	MT050-B10	Hex. Head Bolt	M6x1x60L	4
11	TS-2361061	Spring Washer	M6	8
12	MT050-B12	Motor Stator Assembly	3~230V60Hz0.12/0.03kW	1
	MT100-B12	Motor Stator Assembly	3~230V60Hz0.18/0.04kW	1
13	MT050-B13	Rectifier		1
14	TS-1482041	Hex. Head Bolt	M6x1.0x20L	4
15	TS-1540081	Nut	M12x1.75	1
16	TS-1492021	Hex. Head Bolt	M12x1.75x30L	1
17	MT050-B17	Transmission Shaft With Pinion		1
18	MT050-B18	Gear Box		1
19	MT050-B19	Gear Box Gasket		2
20	MT050-B20	Internal Ring Gear		1
21	MT050-B21	Brake Lining Assembly		1
22	MT050-B22	Brake Disc		1
23	MT050-B23	Brake Spring		1
24	MT050-B24	Brake Drum Assembly		1

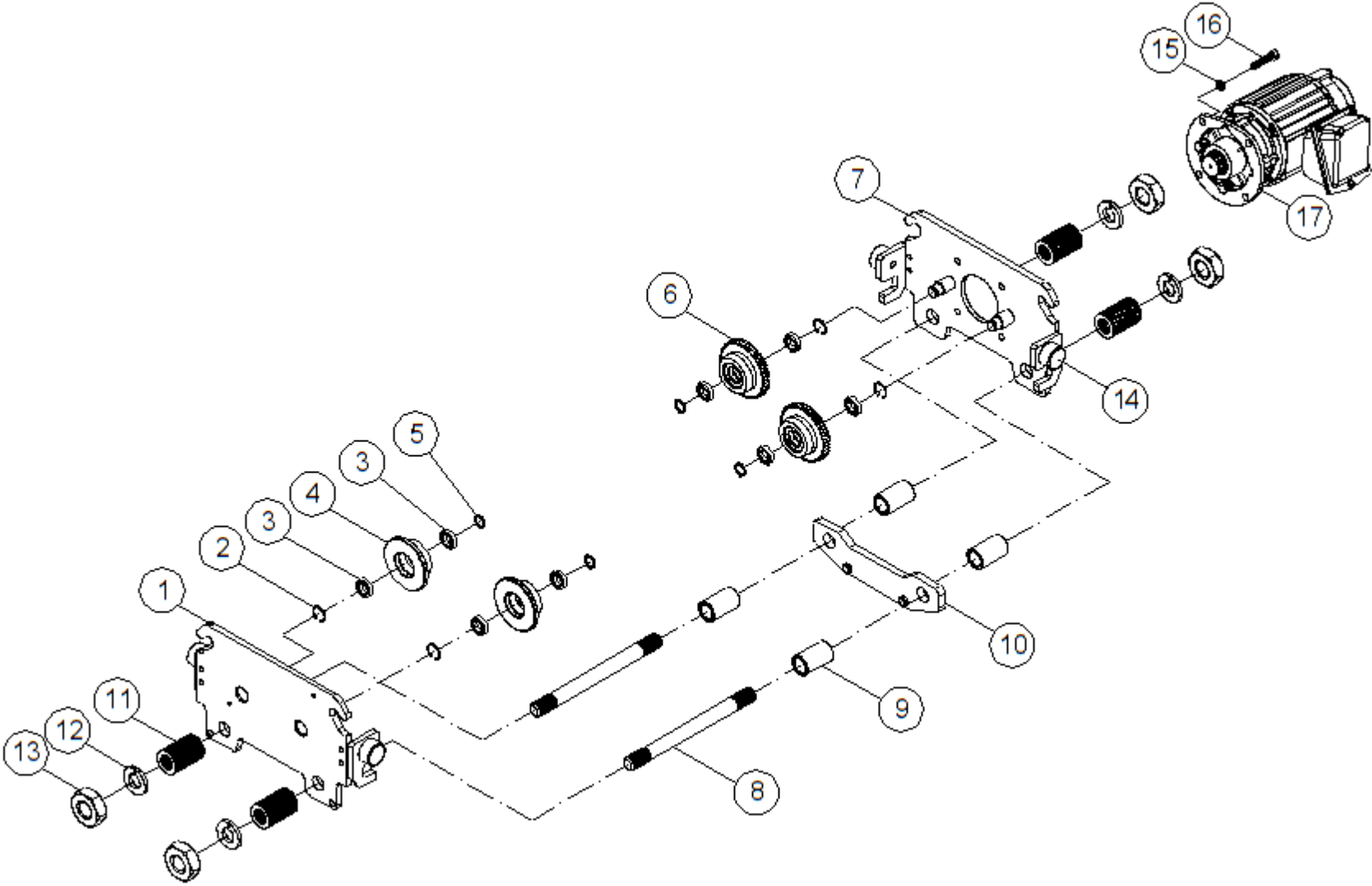
### 11.3.1 MT050 and MT100 Trolley Electricals – Exploded View



### 11.3.2 MT050 and MT100 Trolley Electricals – Parts List

Index No.	Part No.	Description	Size	Qty
1	TS-1482031	Socket Hd Cap Screw	M6x1.0x16L	6
2	TS-2361061	Spring Washer	M6	6
3	MT050-C03	Electric Housing Cover		1
4	MT050-C04	Gasket	#15	1
5	MT050-C05	Rubber Band		1
6	MT050-C06	Magnetic Contactor 110V	LC1-D09-F7	2
7	MT050-C07	Contactor Rail	2PC	1
8	MT050-C08	Magnetic Contactor 110V	LC1-D128-F7	1
9	MT050-C09	Terminal Block		1
10	MT050-C10	Contactor Rail	1PC	1
11	40317-15	Spring Pin	Ø3x14L	1
12	MT050-C12	Cable Gland	M20	3
13	MT050-C13	Electric Housing		1
14	MT050-C14	Gasket	#16	1

11.4.1 MT200 Trolley Frame – Exploded View



## 11.4.2 MT200 Trolley Frame – Parts List

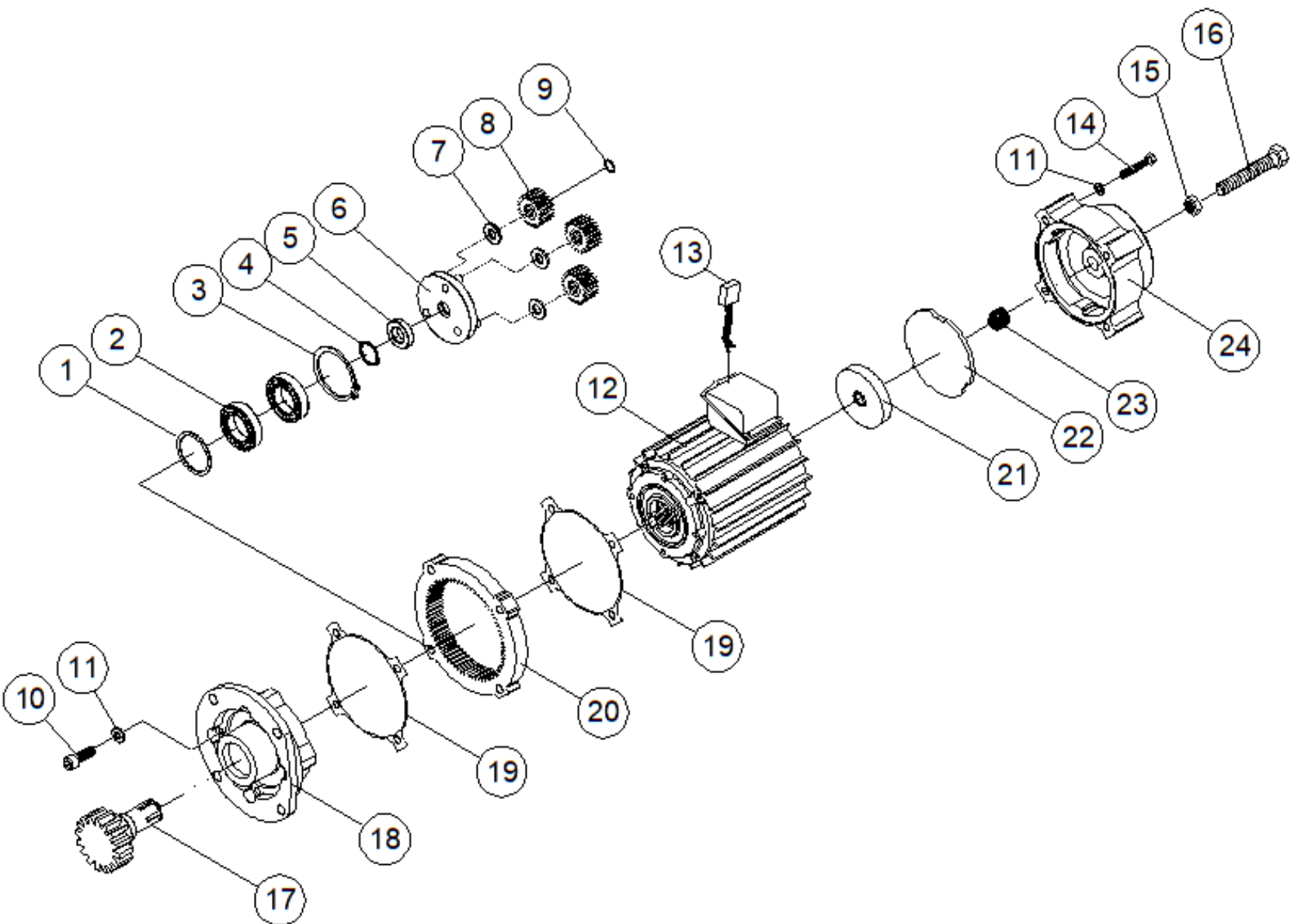
Index No.	Part No.	Description	Size	Qty
1	MT200-A01	Electric Frame Assembly		1
3	BB-6205ZZ	Bearing	6205ZZ	8
4	MT200-A04	Plain Wheel	Ø119x49L	2
5	F006050	C-Retaining Ring, Ext	S-25	4
6	MT200-A06	Gear Wheel	Ø130x54L	2
7	MT200-A07	Motor Frame Assembly		1
8	MT200-A08	Stay Bolt	1-1/4"x7UNCx335L	2
9	MT200-A09	Position Tube	Ø48xØ34x69L	4
10	MT200-A10	Load Bracket		1
11	MT200-A11	Spacer Washer	Ø54xØ34x1/8"	32
12	MT200-A12	Spring Washer	1-1/4"	4
13	MT200-A13	Hex. Nut	1-1/4"x7UNC	4
14	MT050-A14	Bumper		2
15	TS-2361101	Spring Washer	M10	4
16	TS-1491031	Hex. Head Bolt	M10x1.5x25L	4
17	MT200-A17	Motor Assembly	3~230V60Hz0.37/0.09kW	1

### Extension Kit Accessories for MT200

Part No.	Description	"E" width, sect. 4.0
MT200-A08AB	Includes #8, #9, #11~#13	5.94~8.85 in. (151~225mm)..... OPTIONAL
MT200-A08AC	Includes #8, #9, #11~#13	8.89~12.2 in. (226~310mm)..... OPTIONAL



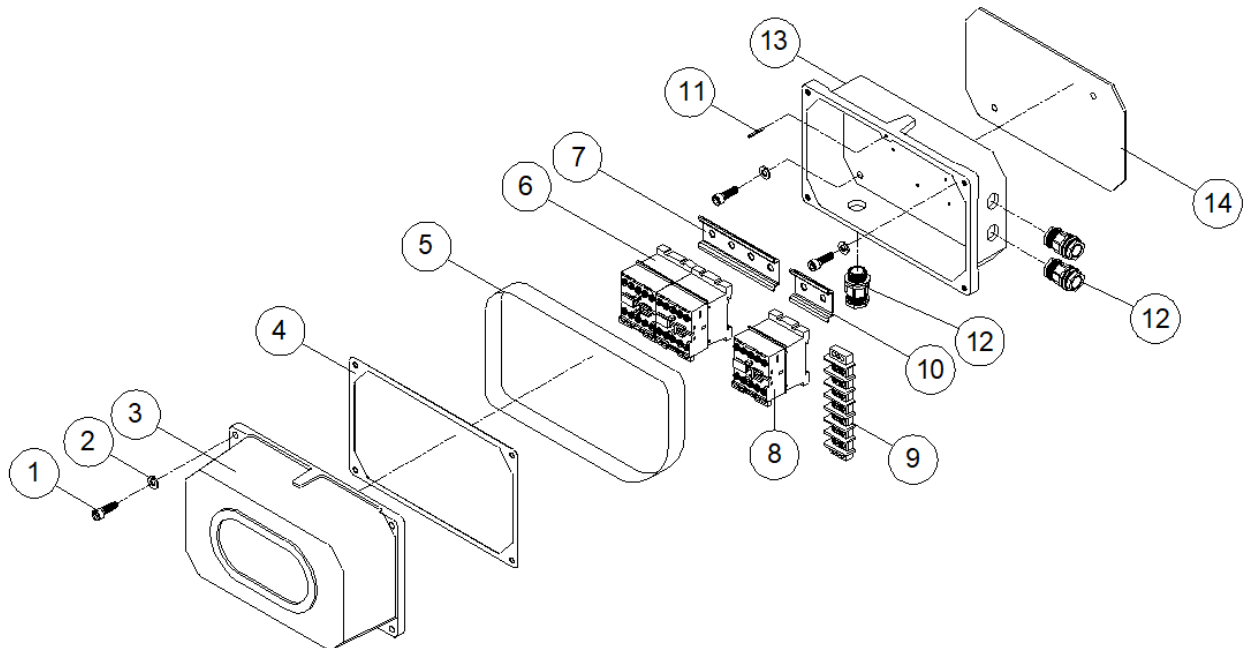
11.5.1 MT200 Trolley Motor – Exploded View



## 11.5.2 MT200 Trolley Motor – Parts List

Index No.	Part No.	Description	Size	Qty
1	MT050-B01	Oil Seal	Ø25xØ40x6t	1
2	BB-6204Z	Bearing	6204Z	2
3	MT050-B03	Retaining Ring	R-47	1
4	MT050-B04	Retaining Ring	S-20	1
5	MT050-B05	Axle Sleeve		1
6	MT050-B06	Reducing Gear Frame Ass'y		1
7	MT050-B07	Flat Washer	Ø21xØ11x2t	3
8	MT050-B08	Planetary Gear		3
9	MT050-B09	Retaining Ring	S-10	3
10	MT050-B10	Hex. Head Bolt	M6x1x60L	4
11	TS-2361061	Spring Washer	M6	8
12	MT200-B12	Motor Stator Ass'y	3~230V60Hz0.37/0.09kW	1
13	MT050-B13	Rectifier		1
14	TS-1482041	Hex. Head Bolt	M6x1.0x20L	4
15	TS-1540081	Nut	M12x1.75	1
16	TS-1492021	Hex. Head Bolt	M12x1.75x30L	1
17	MT200-B17	Transmission Shaft With Pinion		1
18	MT050-B18	Gear Box		1
19	MT050-B19	Gear Box Gasket		2
20	MT050-B20	Internal Ring Gear		1
21	MT050-B21	Brake Lining Ass'y		1
22	MT050-B22	Brake Disc		1
23	MT050-B23	Brake Spring		1
24	MT050-B24	Brake Drum Ass'y		1

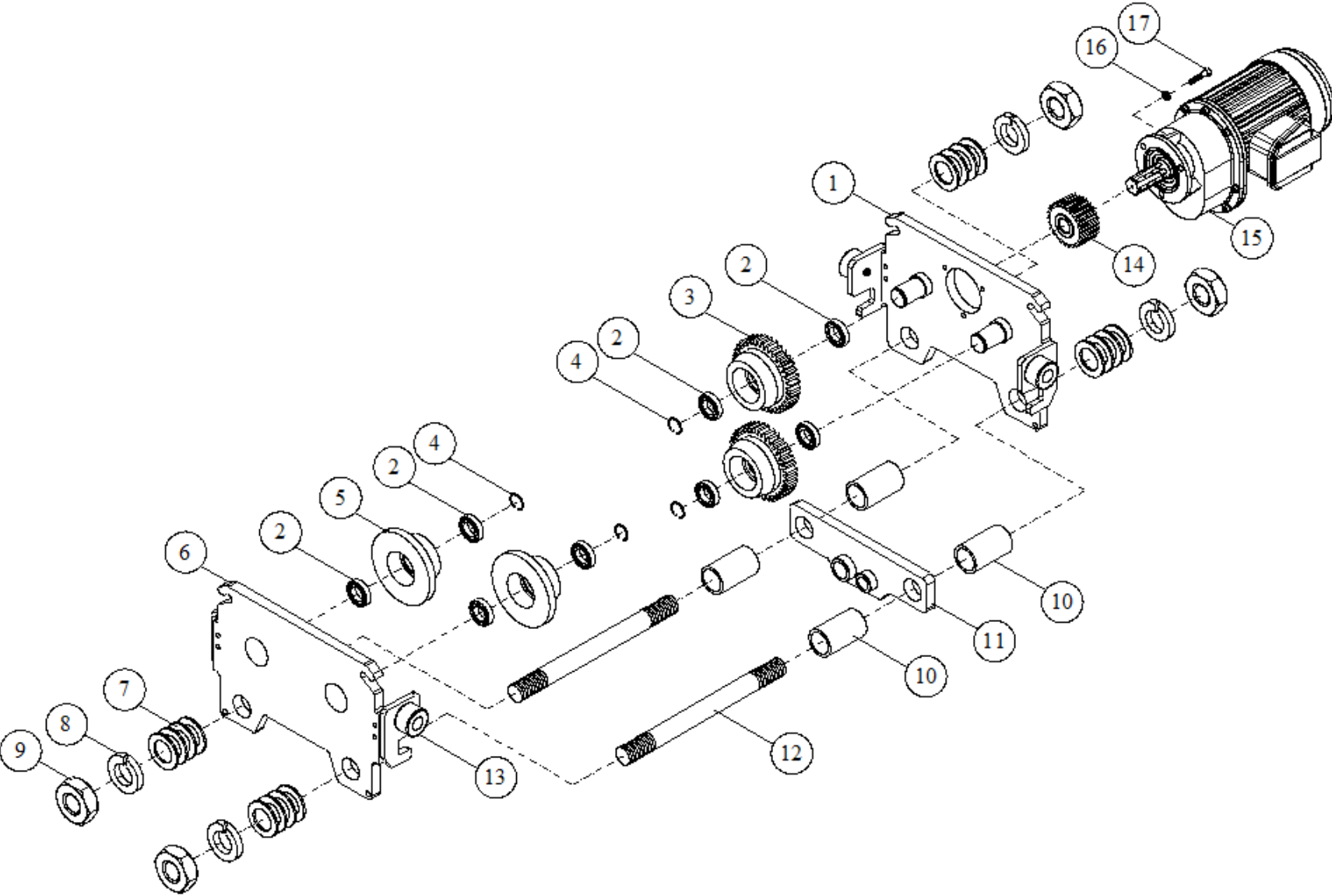
### 11.6.1 MT200 Trolley Electricals – Exploded View



### 11.6.2 MT200 Trolley Electricals – Parts List

Index No.	Part No.	Description	Size	Qty
1	TS-1503041	Socket Hd Cap Screw	M6x1.0x16L	6
2	TS-2361061	Spring Washer	M6	6
3	MT050-C03	Electric Housing Cover		1
4	MT050-C04	Gasket #15		1
5	MT050-C05	Rubber Band		1
6	MT050-C06	Magnetic Contactor 110V	LC1-D09-F7	2
7	MT050-C07	Contactor Rail	2PC	1
8	MT050-C08	Magnetic Contactor 110V	LC1-D128-F7	1
9	MT050-C09	Terminal Block		1
10	MT050-C10	Contactor Rail	1PC	1
11	MT050-C11	Spring Pin	Ø3x14L	1
12	MT050-C12	Cable Gland	M20	3
13	MT050-C13	Electric Housing		1
14	MT050-C14	Gasket #16		1

11.7.1 MT300 and MT500 Trolley Frame – Exploded View



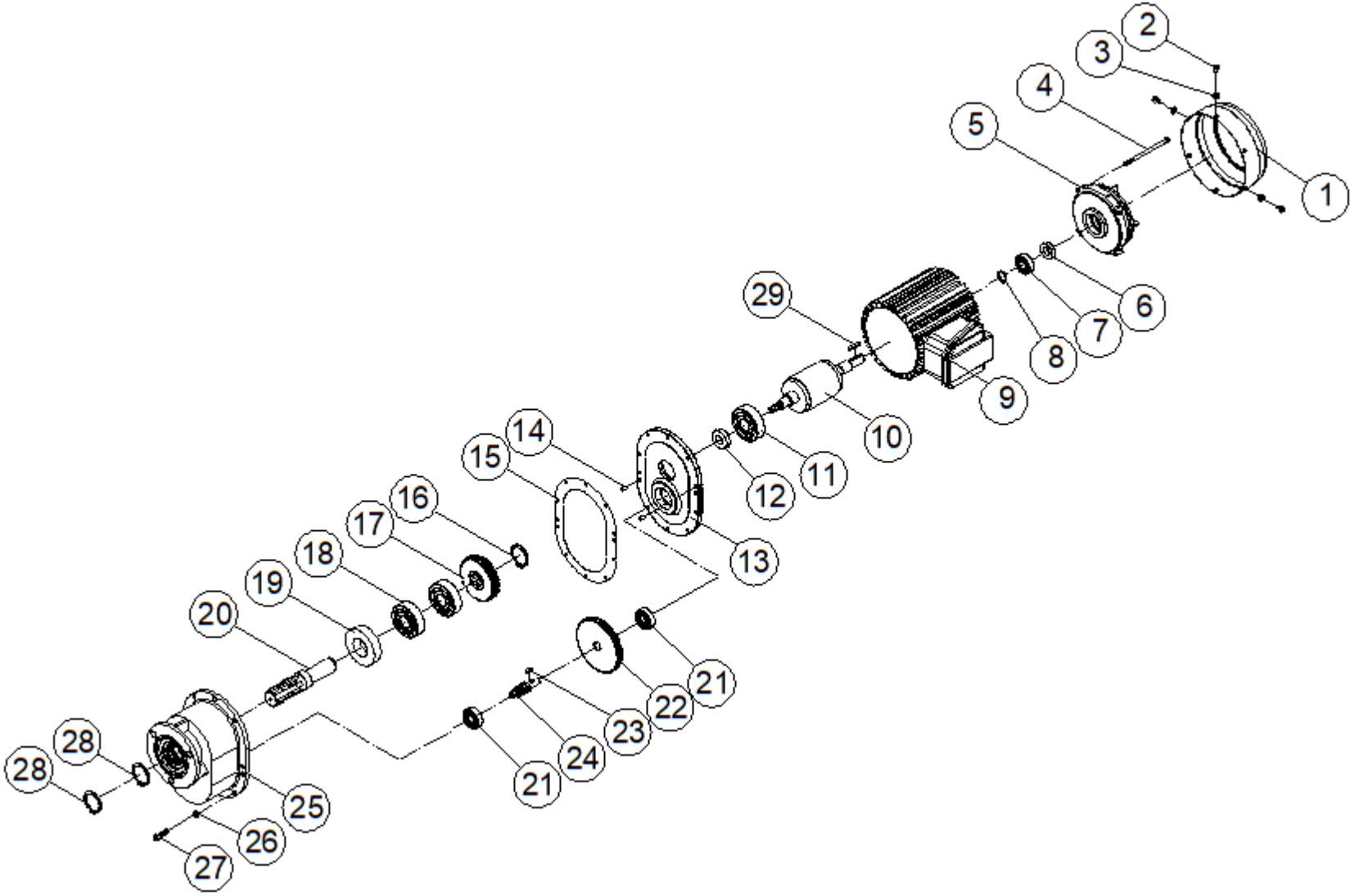
## 11.7.2 MT300 and MT500 Trolley Frame – Parts List

Index No.	Part No.	Description	Size	Qty
1	MT300-A01	Motor Frame Assembly		1
	MT500-A01			1
2	BB-6207Z	Bearing	6207Z	8
3	MT300-A03	Gear Wheel	M3.5x39Tx67L	2
4	F006054	C-Retaining Ring, Ext	S-35	4
5	MT300-A05	Plain Wheel	Ø143.5x59L	2
6	MT300-A06	Electric Frame Assembly		1
	MT500-A06			1
7	MT300-A07	Spacer Washer	Ø60xØ40x1/8"	32
	MT500-A07		Ø60xØ47x6.5L	16
8	MT300-A08	Spring Washer	1-1/2"	4
	MT500-A08		1-3/4"	4
9	MT300-A09	Hex. Nut	1-1/2"x6UNC	4
	MT500-A09		1-3/4"x5UNC	4
10	MT300-A10	Position Tube	Ø50xØ40x83.5L	4
	MT500-A10		Ø60xØ47x83L	4
11	MT300-A11	Load Bracket		1
	MT500-A11			1
12	MT300-A12	Stay Bolt	1-1/2"x6UNCx390L	2
	MT500-A12		1-3/4"x5UNCx415L	2
13	MT050-A13	Bumper		4
14	MT300-A14	Pinion	M3.5x16Tx49L	1
15	MT300-A15	Reducing Gear Motor Assembly	3~230V60Hz0.6/0.15Kw1	
16	TS-2361081	Spring Washer	M8	3
17	TS-1504061	Hex. Bolt	M8x1.25x30L	3

### Extension Kit Accessories, for MT300 and MT500

Part No.	Description	"E" width, sect. 4.0	
MT300-A12AB	Including (#8, #9, #11~#13)	6.92~9.84 in. (176~250mm)	OPTIONAL
MT300-A12AC	Including (#8, #9, #11~#13)	9.88~12.2 in. (251~310mm)	OPTIONAL
MT500-A12AB	Including (#8, #9, #11~#13)	6.92~9.84 in. (176~250mm)	OPTIONAL
MT500-A12AC	Including (#8, #9, #11~#13)	9.88~12.2 in. (251~310mm)	OPTIONAL

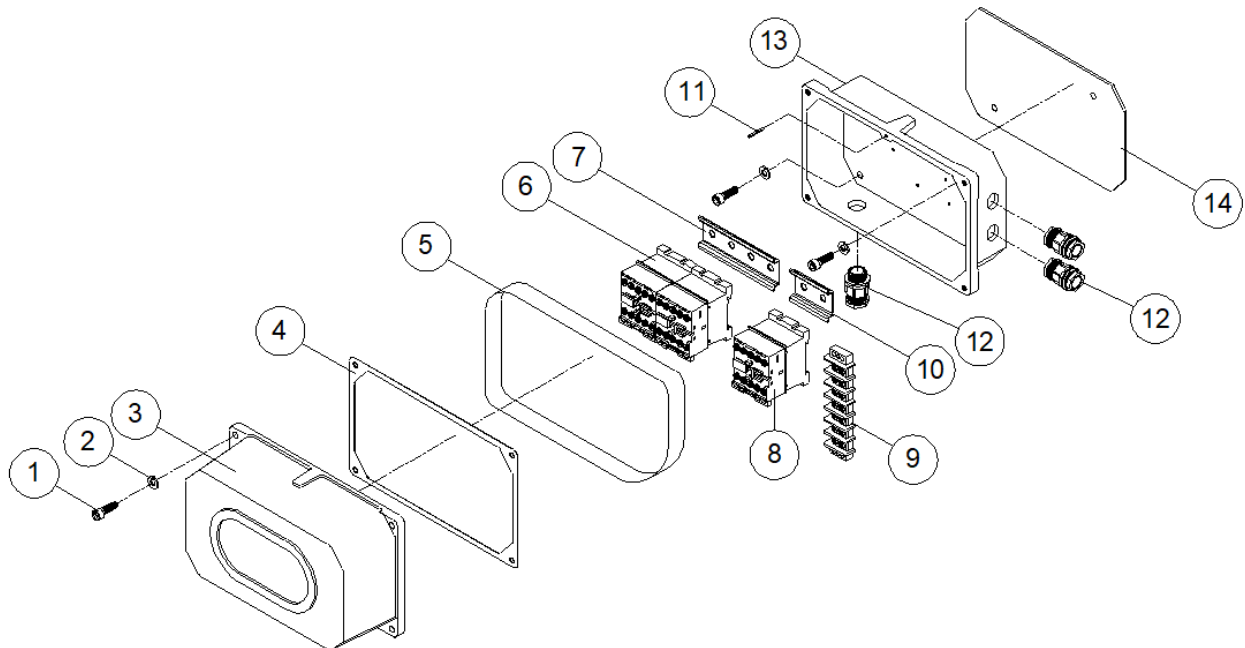
11.8.1 MT300 and MT500 Trolley Motor – Exploded View



## 11.8.2 MT300 and MT500 Trolley Motor – Parts List

Index No.	Part No.	Description	Size	Qty
1	MT300-B01	Brake End Cover		1
2	F001208	Phillips Pan Hd Mach Screw	M5x0.8x8L	4
3	TS-2361051	Spring Washer	M5	4
4	MT300-B04	Hex. Bolt	M5x0.8x160	4
5	MT300-B05	Brake Assembly	(SBV-YS-071A)	1
6	MT300-B06	Oil Seal	Ø17xØ35x8t	1
7	BB-6203ZZ	Bearing	6203ZZ	1
8	F006045	C-Retaining Ring, Ext	S-17	1
9	MT300-B09	Motor Stator Assembly	3~230V60Hz0.6/0.15kw	1
10	MT300-B10	Motor Rotor	Ø64x80x228	1
11	BB-6204ZZ	Bearing	6204ZZ	1
12	MT300-B12	Oil Seal	Ø35xØ20x8t	1
13	MT300-B13	Flange		1
14	MT300-B14	Spring Pin	Ø5x16L	2
15	MT300-B15	Gearbox Gasket		1
16	F006050	C-Retaining Ring, Ext	S-25	1
17	MT300-B17	4th Gear	M1.75x47T	1
18	BB-6205ZZ	Bearing	6205ZZ	2
19	MT300-B19	Oil Seal	Ø52xØ32x11t	1
20	MT300-B20	Transmission Shaft	Ø32x147.5	1
21	BB-6203ZZ	Bearing	6203ZZ	2
22	MT300-B22	2nd Gear	M1.25x71T	1
23	3K00227	Key, Dbl Rd Hd	t6x6x15	1
24	MT300-B24	3rd Gear	M1.75x13T	1
25	MT300-B25	Gearbox A		1
26	TS-2361061	Spring Washer	M6	8
27	TS-1503041	Socket Hd Cap Screw	M6x1.0x16	8
28	F006052	C-Retaining Ring, Ext	S-30	2
29	KS050525	Key, Dbl Rd Hd	t5x5x25	1

### 11.9.1 MT300 and MT500 Trolley Electricals – Exploded View



### 11.9.2 MT300 and MT500 Trolley Electricals – Parts List

Index No.	Part No.	Description	Size	Qty
1	TS-1482031	Hex. Recess Bolt	M6x1.0x16L	6
2	TS-2361061	Spring Washer	M6	6
3	MT050-C03	Electric Housing Cover		1
4	MT050-C04	Gasket #15		1
5	MT050-C05	Rubber Band		1
6	MT050-C06	Magnetic Contactor 110V	LC1-D09-F7	2
7	MT050-C07	Contactor Rail	2PC	1
8	MT050-C08	Magnetic Contactor 110V	LC1-D128-F7	1
9	MT050-C09	Terminal Block		1
10	MT050-C10	Contactor Rail	1PC	1
11	MT050-C11	Spring Pin	Ø3x14L	1
12	MT050-C12	Cable Gland	M20	3
13	MT050-C13	Electric Housing		1
14	MT050-C14	Gasket #16		1