



SERVICE PARTS LIST

BUL. 54-08-5050

POWER PAC

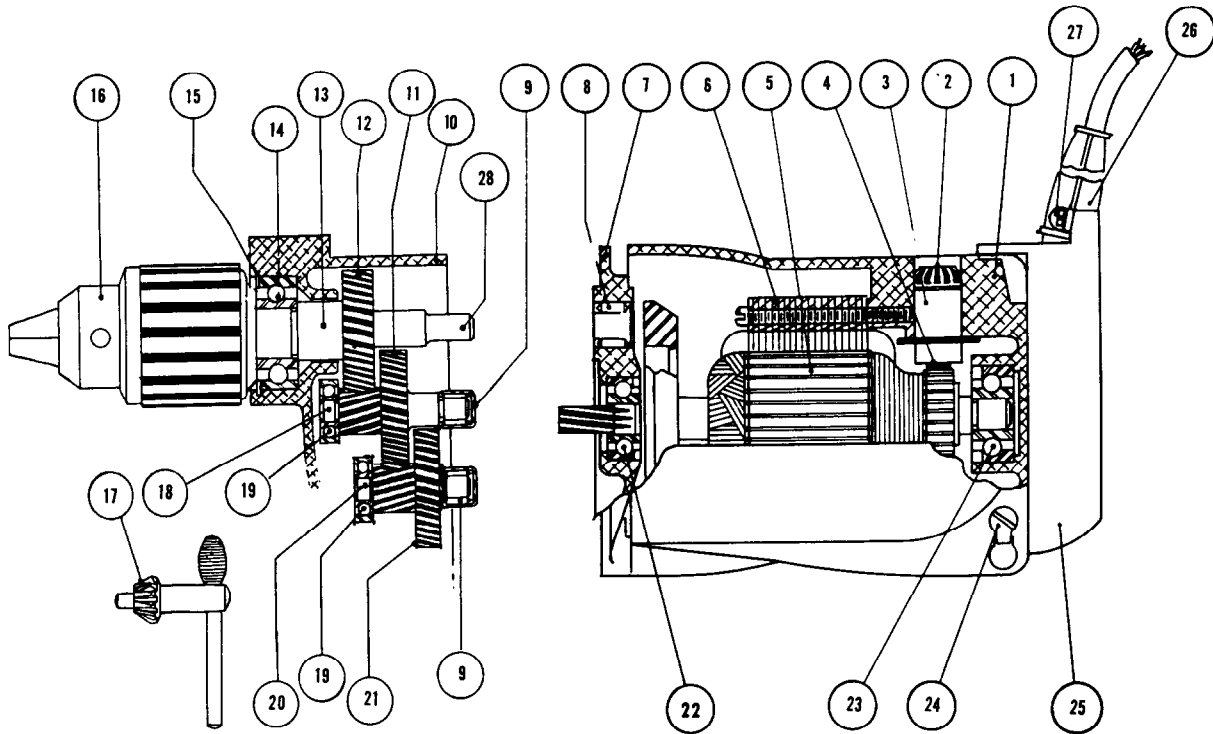
REVISED BUL 6236-1 DATE May '68

Catalog No. 1400

Starting Serial No. **236-1001**

WIRING INSTR. **58-01-0250**

Both Model and Serial No. must be furnished to obtain correct parts.



ILLUSTRATED PARTS

FIG.	PART NO.	DESCRIPTION OF PART	NO. REQ.	FIG.	PART NO.	DESCRIPTION OF PART	NO. REQ.
1	28-50-4642	Motor Housing		15	34-80-2500	Retaining Ring	
2	23-44-0060	Brush Retaining Screw	(2)	16	48-66-1280	Chuck	
3	22-22-0080	Brush Holder Assembly	(2)	17	48-66-3280	Chuck Key	
4	22-18-0100	Carbon Brush Assembly	(2)	18	36-66-2901	Int. Pinion Shaft	
5	16-42-1210	Armature Assembly		19	02-04-0640	Ball Bearing	(2)
6	18-42-1160	Field Assembly		20	36-66-2801	Int. Pinion Shaft	
7	28-28-0661	Diaphragm		21	32-40-1241	Intermediate Gear	
8	02-50-2110	Needle Bearing		22	02-04-0940	Ball Bearing (Pinion End)	
9	02-50-1640	Needle Bearing	(2)	23	02-04-0970	Ball Bearing (Comm. End)	
10	28-14-0761	Gear Case		24	42-70-0080	Key Clip	
11	32-75-2041	Spindle Gear		25	28-50-1381	Cord Set Housing	
12	32-75-2061	Spindle Gear		26	22-64-0170	Cord Set	
13	45-36-0210	Spacer		27	28-17-0400	Cord Clamp	
14	02-04-1560	Spindle Ball Bearing		28	38-50-3601	Spindle	

MISCELLANEOUS PARTS NOT SHOWN

PART NO.	DESCRIPTION OF PART	NO. REQ.	PART NO.	DESCRIPTION OF PART	NO. REQ.
12-98-0800	Name Plate		23-86-0110	Brush Holder Insulating Washer	(2)
06-42-0800	Woodruff Key	(2)	06-81-4300	3-48x3/16 Rd.Hd. Name Plate Screws	(2)
* 06-42-1200	Woodruff Key		06-81-6350	8-32x1 Fil.Hd. Sems Gear Case Screws	
06-81-6600	8-32x1-3/4 Fil.Hd. Sems Field Screws	(2)	06-83-2650	1/4-20x3/8 Hd'less Brush Holder Set Screws	(2)
06-81-6650	8-32x1-3/4 Fil.Hd. Sems Gear Case Scrs.	(2)	06-81-7150	10-24x1-3/8 Fil.Hd.Sems Cord Housing Screws	(2)
06-81-8625	6-32x1/4 Rd.Hd. Sems Brass Ground Wire Scrs.		06-81-8650	6-32x1/4 Rd.Hd. Sems Key Clip Screws	
* 06-81-6150	8-32x1/2 Fil.Hd. Cord Clamp Screw	(2)			