

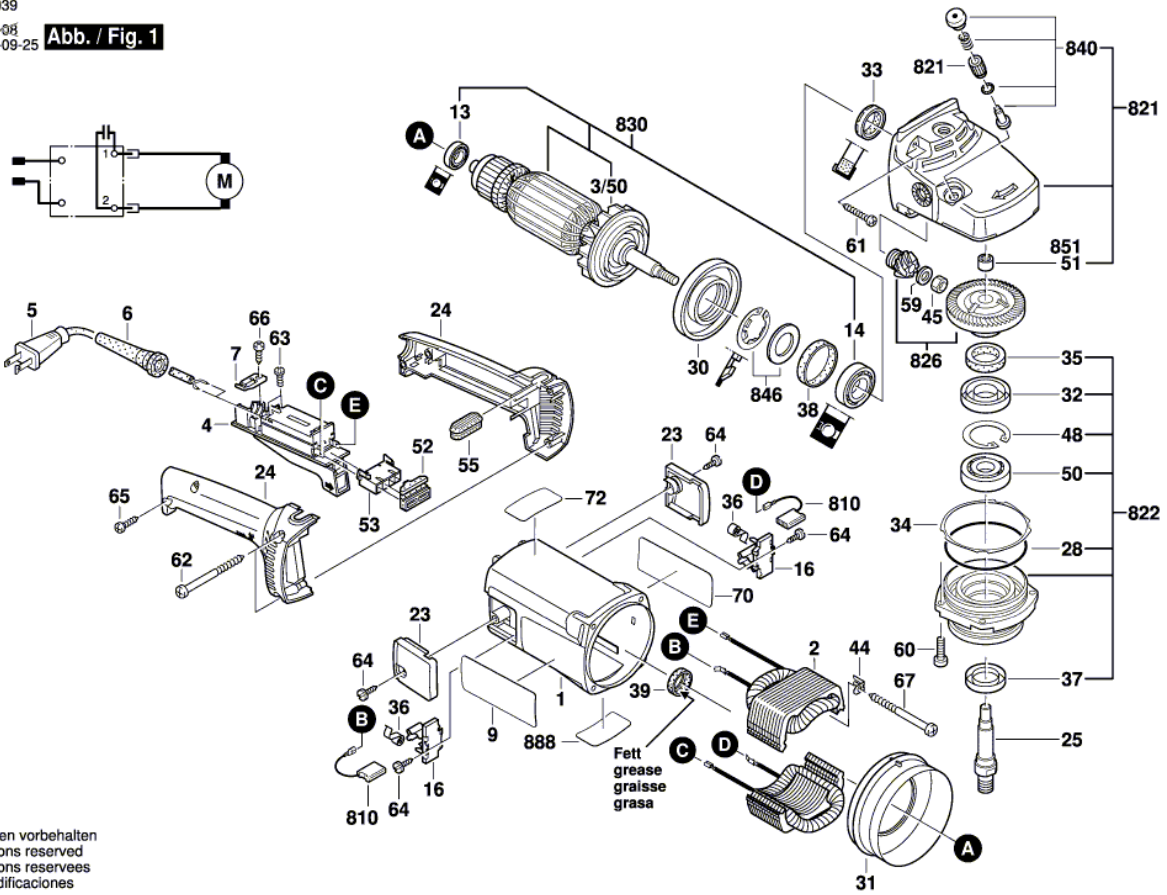


0 601 365 039

Stand | 09-08

Issue | 17-09-25

Abb. / Fig. 1



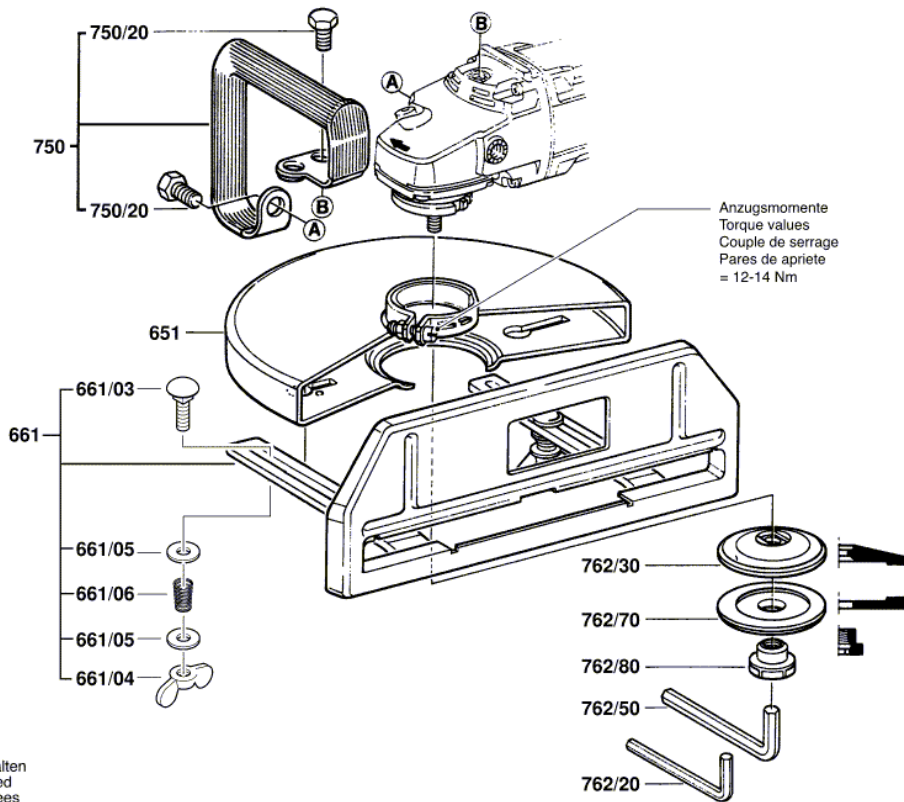
Änderungen vorbehalten
 Modifications reserved
 Modifications reserves
 Salvo modificaciones



0 601 365 039

Stand } 05-07
Issue } 09-03-17

Abb. / Fig. 2



Änderungen vorbehalten
Modifications reserved
Modifications reserves
Salvo modificaciones



Pos.	Part Number	Description	Pos.	Part Number	Description
1	1 605 108 145	Motor Housing	762/70	1 605 703 077	Conical Spring Washer
2	1 604 220 387	Field	762/80	1 603 340 011	Round Nut
3/50	1 606 610 127	Fan	810	1 607 014 178	Carbon-Brush Set
4	1 607 200 104	Switch	821	1 605 805 592	Gear Housing
5	1 604 460 133	Power supply cord	822	1 607 000 951	Parts Set
6	1 600 703 023	Grommet	826	1 600 A00 3DA	Bevel Gear Set
7	1 601 302 018	Fastening Clamp	830	1 604 011 155	Armature
9	2 610 906 993	Manufacturer's nameplate	840	1 607 000 206	Push-Button
13	1 600 905 011	groove ball bearing	846	1 607 000 342	Retaining Washer
14	1 600 905 023	groove ball bearing	851	2 600 910 001	Needle-Roller Bearing
16	1 604 336 021	Brush Holder	888	1 601 11A 3H3	Nameplate
23	1 605 500 165	Sealing cap			
24	1 605 132 121	Handle			
25	1 603 523 106	Grinding Spindle			
28	1 600 210 033	O-Ring			
30	1 600 591 010	Air-Deflector Ring			
31	1 600 591 011	Air-Deflector Ring			
32	1 600 290 019	Retaining snap ring			
33	1 600 290 013	Rotary shaft lip seal			
34	1 600 190 020	Shim			
34	1 600 190 021	Shim			
34	1 600 190 022	Shim			
34	1 600 190 037	Shim			
35	1 600 205 034	Felt Washer			
36	1 604 652 015	Spiral Spring			
37	1 600 290 020	Seal Ring			
38	1 600 206 020	Rubber Ring			
39	1 600 206 030	Rubber Ring			
44	1 601 334 008	Holding Bracket			
45	1 603 300 019	Hex Nut			
48	1 600 119 010	Retaining clip			
50	3 600 905 134	groove ball bearing			
51	1 600 200 031	Plain bearing			
52	1 602 388 027	Cable routing			
53	1 605 190 038	Socket Housing			
55	1 602 388 029	Storage Ledge			
59	1 600 101 655	Plain Washer			
60	1 603 435 076	Thread-forming tap. Screw			
61	2 912 401 038	Tapping Screw			
62	1 603 435 024	Tapping Screw			
63	1 603 410 014	Pan head screw			
64	2 914 201 503	Oval-Head Screw			
65	2 912 401 020	Tapping Screw			
66	2 910 211 019	Tapping Screw			
67	3 603 435 040	Lens Head Screw			
70	2 610 906 872	Manufacturer's nameplate			
72	1 601 110 449	Nameplate			
651	1 605 510 214	Protective Cover			
661	1 608 190 014	Guide Block			
661/03	2 910 281 246	Round-Head Bolt			
661/04	2 915 191 007	Wing Nut			
661/05	2 600 100 041	Plain Washer			
661/06	1 604 643 003	Compression Spring			
750	1 607 000 247	Strap-Shaped Handle			
750/20	2 603 450 007	Hex Screw			
762/20	1 907 950 007	Offset Screwdriver			
762/30	1 605 703 078	Clamping-Flange			
762/50	3 607 950 013	Offset Screwdriver			