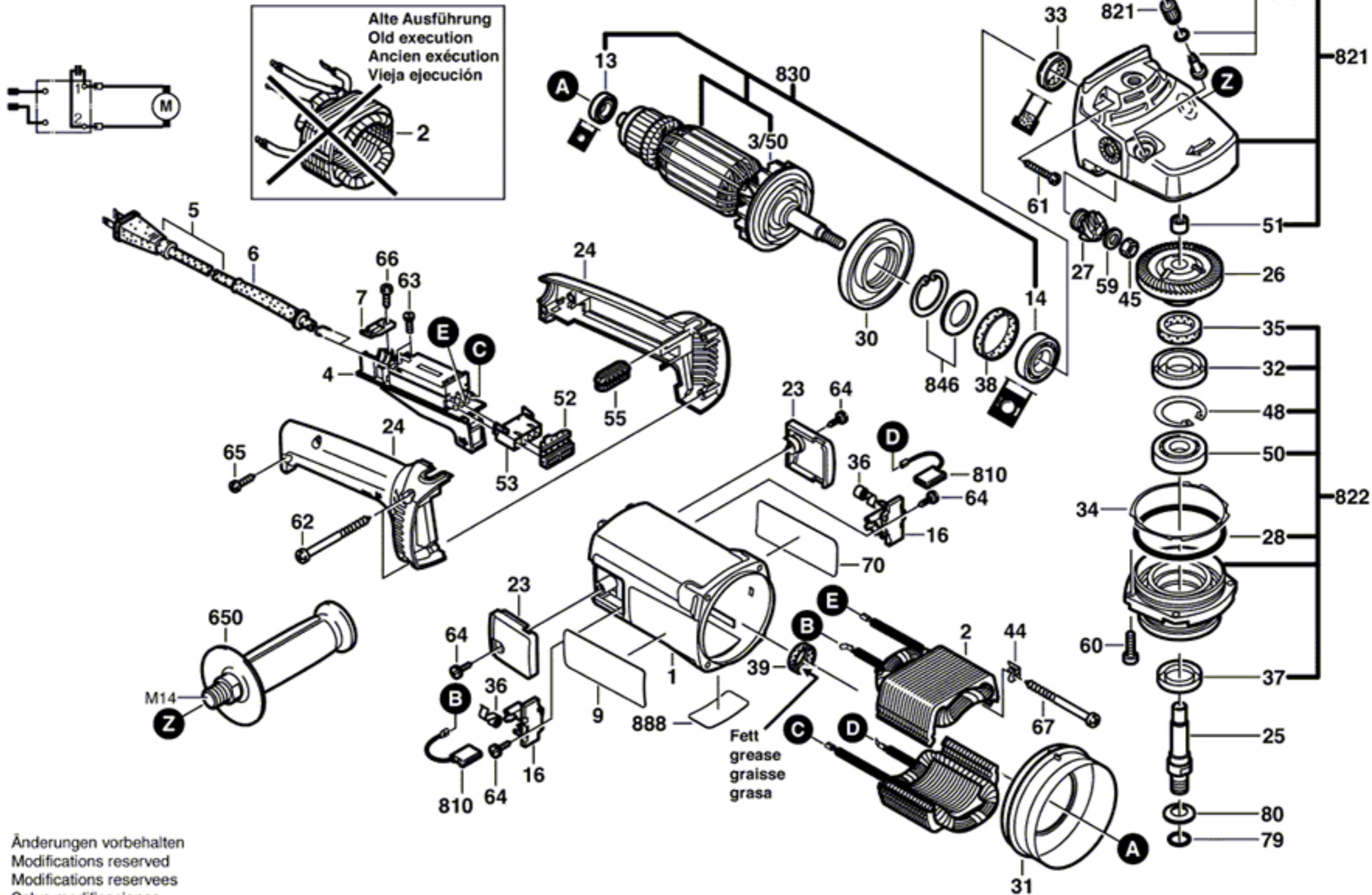


0 601 363 039  
 Stand ~~19-02~~  
 Issue 02-04-25

**Fig./Abb. 1**



Änderungen vorbehalten  
 Modifications reserved  
 Modifications reserves  
 Salvo modificaciones