

## Cordless Impact Drill - 0 601 913 260 - 13624

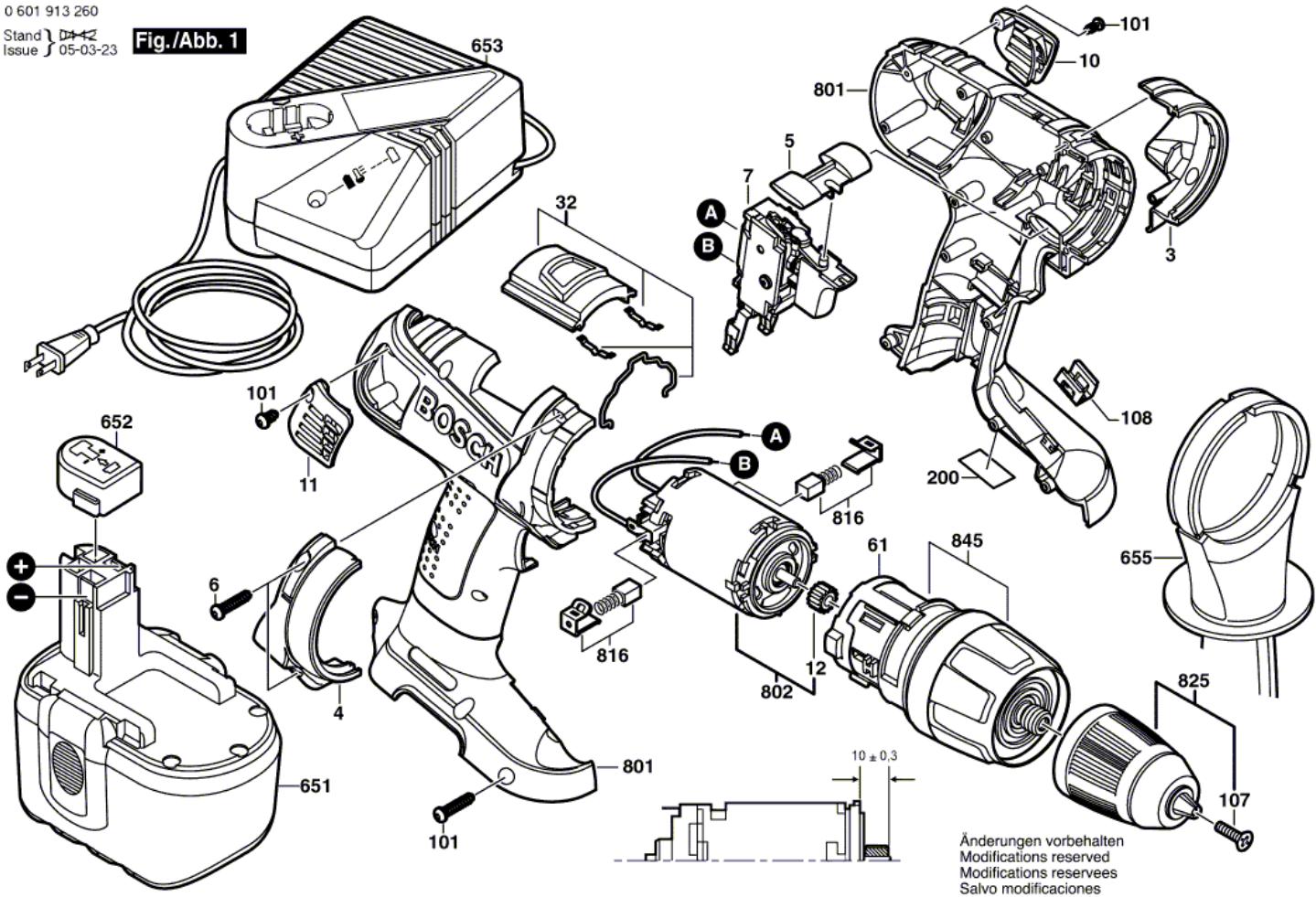
[www.powertools-aftersaleservice.com](http://www.powertools-aftersaleservice.com)



**BOSCH**

Item	Part Number	Description	Illustration	Price	Quantity	Price Group
3	2 605 500 168	Protective Cap	1	-,-	1	24
4	2 605 500 169	Protective Cap	1	-,-	1	24
5	2 601 099 112	Adjusting Slide RED	1	-,-	1	14
6	2 603 410 052	Thread-forming tap. Screw M3x20	1	-,-	2	10
7	2 607 200 458	On-Off Switch	1	-,-	1	39
10	2 600 508 051	Cover BLACK	1	-,-	1	16
11	2 600 508 052	Cover BLACK	1	-,-	1	16
12	2 606 316 222	Pinion	1	-,-	1	19
32	2 601 099 127	Adjusting Slide	1	-,-	1	20
61	2 608 040 190	Support	1	-,-	1	21
101	2 603 490 018	Torx Oval-Head Screw 3x18	1	-,-	10	10
107	2 603 421 229	Countersunk-Head Screw M6x23	1	-,-	1	11
108	2 604 690 027	Spring Element	1	-,-	1	11
200	2 601 116 305	Reference Plate	1	-,-	1	15
651	2 607 335 451	Slide-In Accu Package 24V, 2,4Ah, NiCd	1	-,-	1	54
652	2 609 100 101	Protective Cap	1	-,-	1	16
653	2 607 225 033	Fast Charger USA 120/7,2-24V, 30 MIN.	1	-,-	1	46
655	2 602 025 135	Auxiliary Handle	1	-,-	1	29
801	2 605 105 928	Housing Section BLUE	1	-,-	1	37
802	2 607 022 855	DC motor 24V	1	-,-	1	48
816	2 607 034 904	Carbon-Brush Set	1	-,-	1	23
825	2 608 572 900	Keyless Chuck	1	-,-	1	41
845	2 606 200 933	Planetary Gear Train	1	-,-	1	51

NO Lubrication instructions available for this product



Information subject to change without further notice.