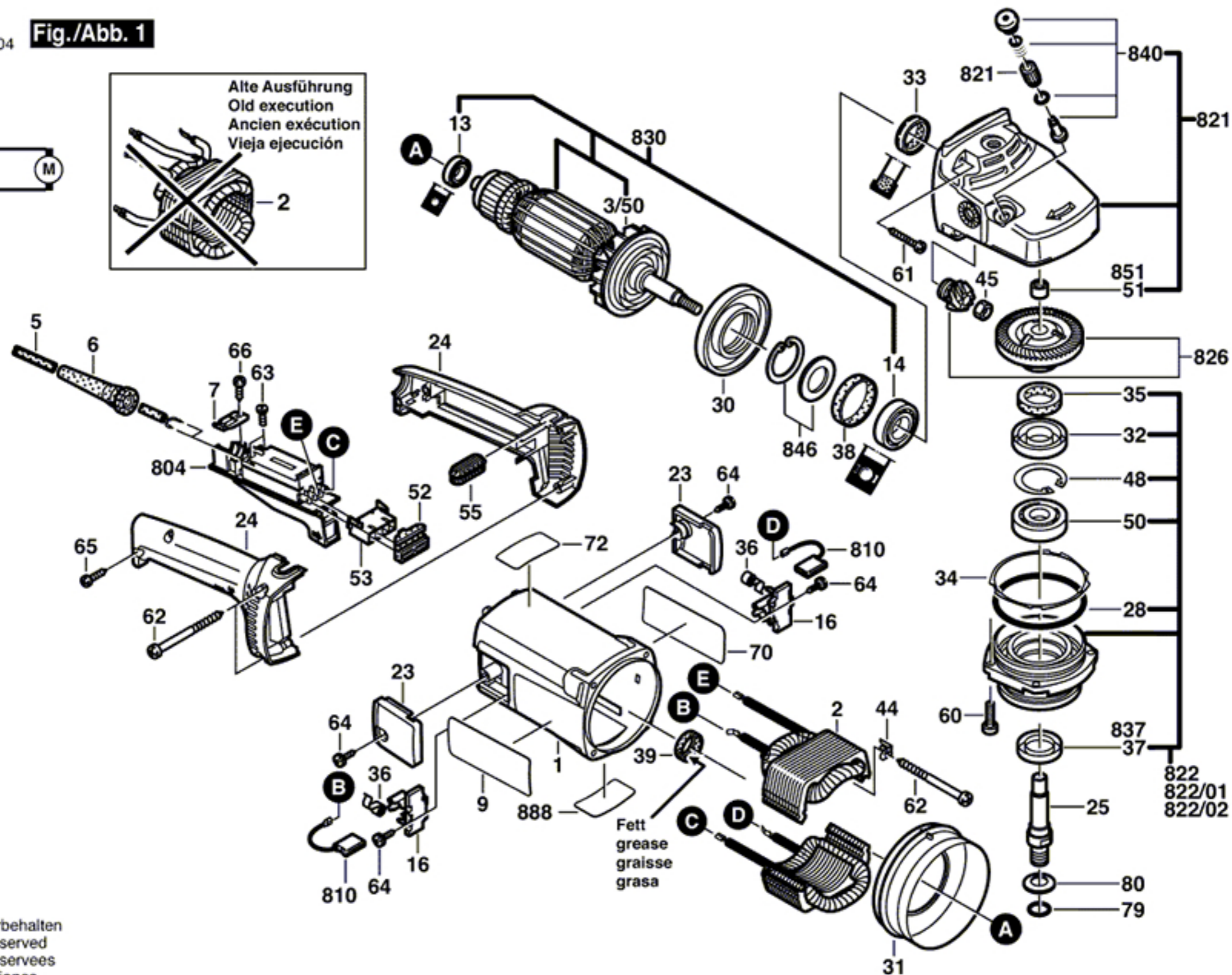
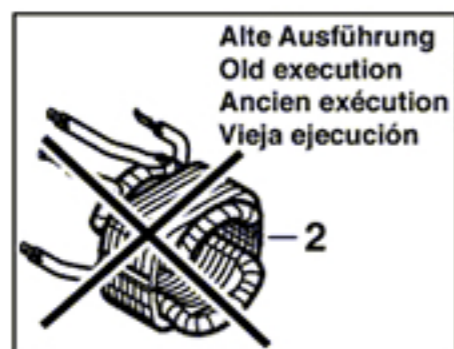
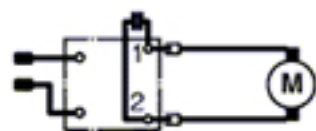


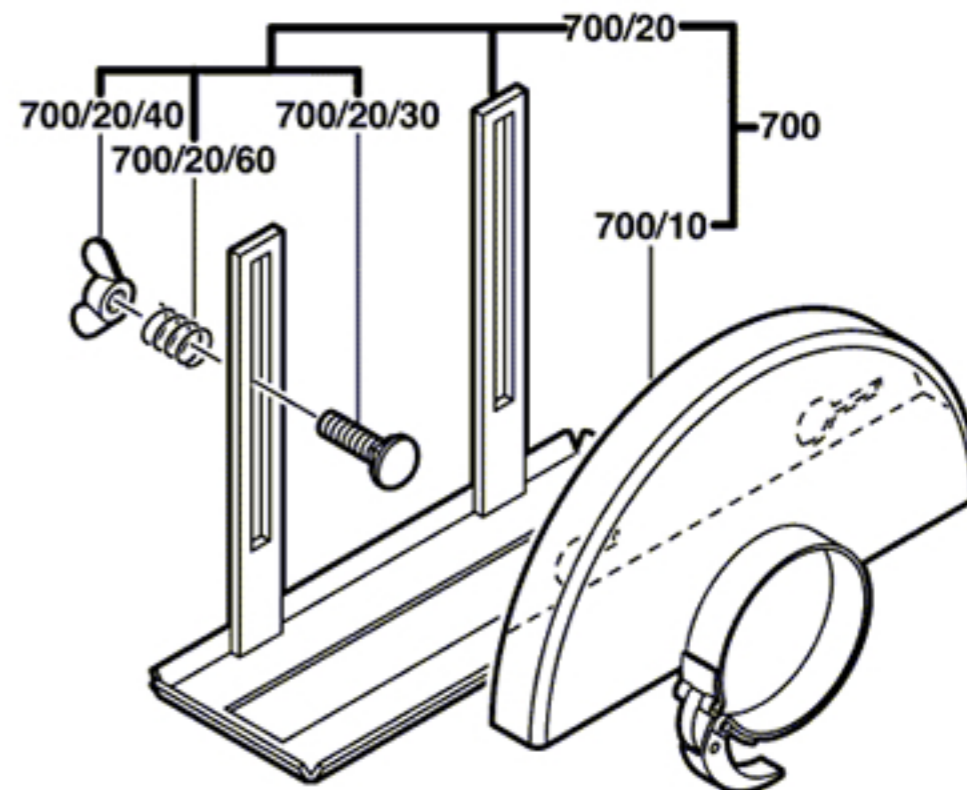
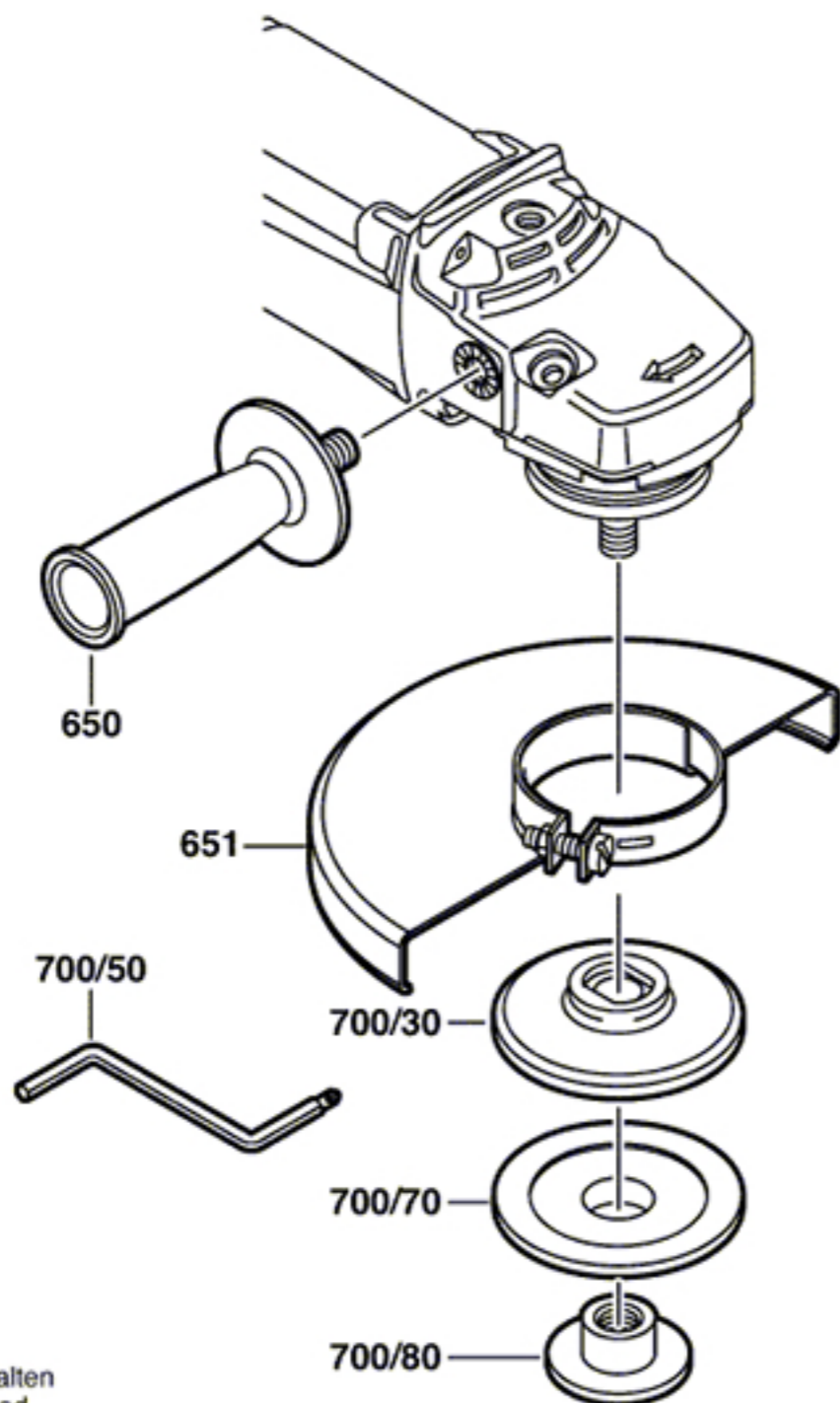
Fig./Abb. 1



0 601 357 039

Stand ~~02-04~~
Issue 02-06-04

Fig./Abb. 2



Änderungen vorbehalten
Modifications reserved
Modifications reserves
Salvo modificaciones