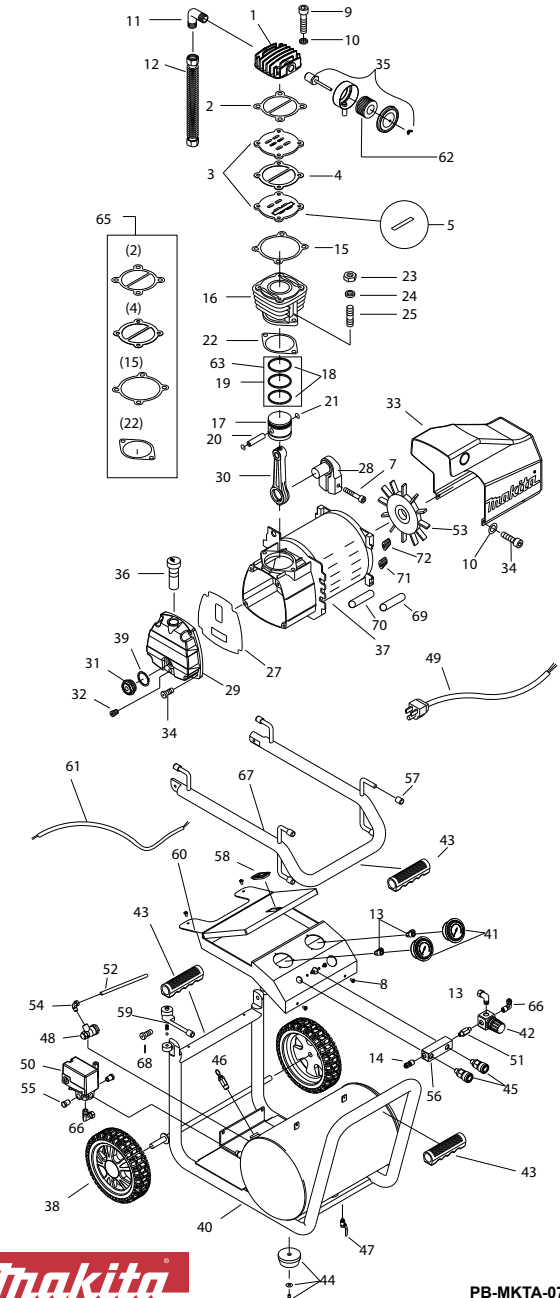


Makita Air Compressor Part Breakdown - MODEL MAC5200

Item	Description	Part #	Qty	Item	Description	Part #	Qty	Item	Description	Part #	Qty
1	Cylinder head	101001-E	1	37	Electric motor / Crankcase	251209-E	1		Compressor oil (1 quart)	181122-A	1
2	Valve seat to head gasket	211001-E	1	38	Wheel	402015-E	2				
3	Inlet & exhaust valve seat	104005-E	2	39	Oil gauge gasket	217001-E	1				
4	Inlet & Exhaust valve seat gasket	212006-E	1	40	Air tank with frame	401125-E	1				
5	Inlet & Exhaust valve plate	125004-E	2	41	Pressure gauge	411029-E	2				
6	Elbow	151209-E	1	42	Regulator	410029-E	1				
7	Crankshaft bolt	352106-E	1	43	Rubber handle	435016-E	3				
8	Bolt for console	365003-E	4	44	Tank foot assembly	434006-E	2				
9	Cylinder head bolt	352087-E	4	45	Quick coupler (1/4")	447013-E	2				
10	Spring washer for head bolt	382011-E	4	46	Safety valve (1/4")	407001-E	1				
11	Exhaust Elbow	151404-E	1	47	Drain cock	413008-E	1				
12	Discharge tube assembly	230092S-E	1	48	Check valve	409004-E	1				
13	Unloading Elbow	151001-E	3	49	Power cord	452015-E	1				
14	Nipple	441025-E	1	50	Pressure switch	412025-E	1				
15	Valve seat to cylinder gasket	213009-E	1	51	Regulator nipple	441001-E	1				
16	Cylinder	201013-E	1	52	Unloading tube assembly (1/4")	228070-E	1				
17	Piston	203002-E	1	53	Motor fan	431010-E	1				
18	Compression ring	206002-E	2	54	Unloading elbow	151002-E	1				
19	Oil control ring	207002-E	1	55	Plug	360002-E	2				
20	Piston pin	204002-E	1	56	Manifold block	421006-E	1				
21	Piston pin snap ring	205001-E	2	57	Rubber cup	439008-E	6				
22	Cylinder to crankcase gasket	214001-E	1	58	Tool box lock	435015-E	1				
23	Set nut (cylinder to crankcase)	371005-E	2	59	Folding handle lock set (L&R)	435010-E	1				
24	Spring washer (cyl to crankcase)	382005-E	2	60	Tool box	480039-E	1				
25	Double head screw	358001-E	2	61	Wiring harness (motor-pr. switch)	453076-E	1				
26	Retainer Cap for wheel	403002-E	2	62	Air filter (element only)	171006-E	1				
27	Crankcase cover gasket	215001-E	1	63	Ring Kit (#18 and 19)	RK5200-E	1				
28	Crankshaft	302001-E	1	64	Spring washer for motor cover	382004-E	4				
29	Crankcase cover	304014-E	1	65	Gasket kit (#2,4,15 and 22)	GK5200-E	1				
30	Connecting rod	316001-E	1	66	Elbow	151209-E	1				
31	Oil sight gauge	321001-E	1	67	Folding handle	435006-E	1				
32	Oil draining plug	360001-E	1	68	Bolt for folding handle lock	351074-E	2				
33	Motor cover	433011-E	1	69	Start Capacitor	460008-E	1				
34	Motor / crankcase cover bolt	352071-E	9	70	Run Capacitor	462009-E	1				
35	Air filter assembly	170013-E	1	71	Overload Switch	458003-E	1				
36	Oil filler/crankcase breather	324003-E	1	72	Centrifugal Switch	459002-E	1				



PB-MKTA-072605