

Illustration - Type E

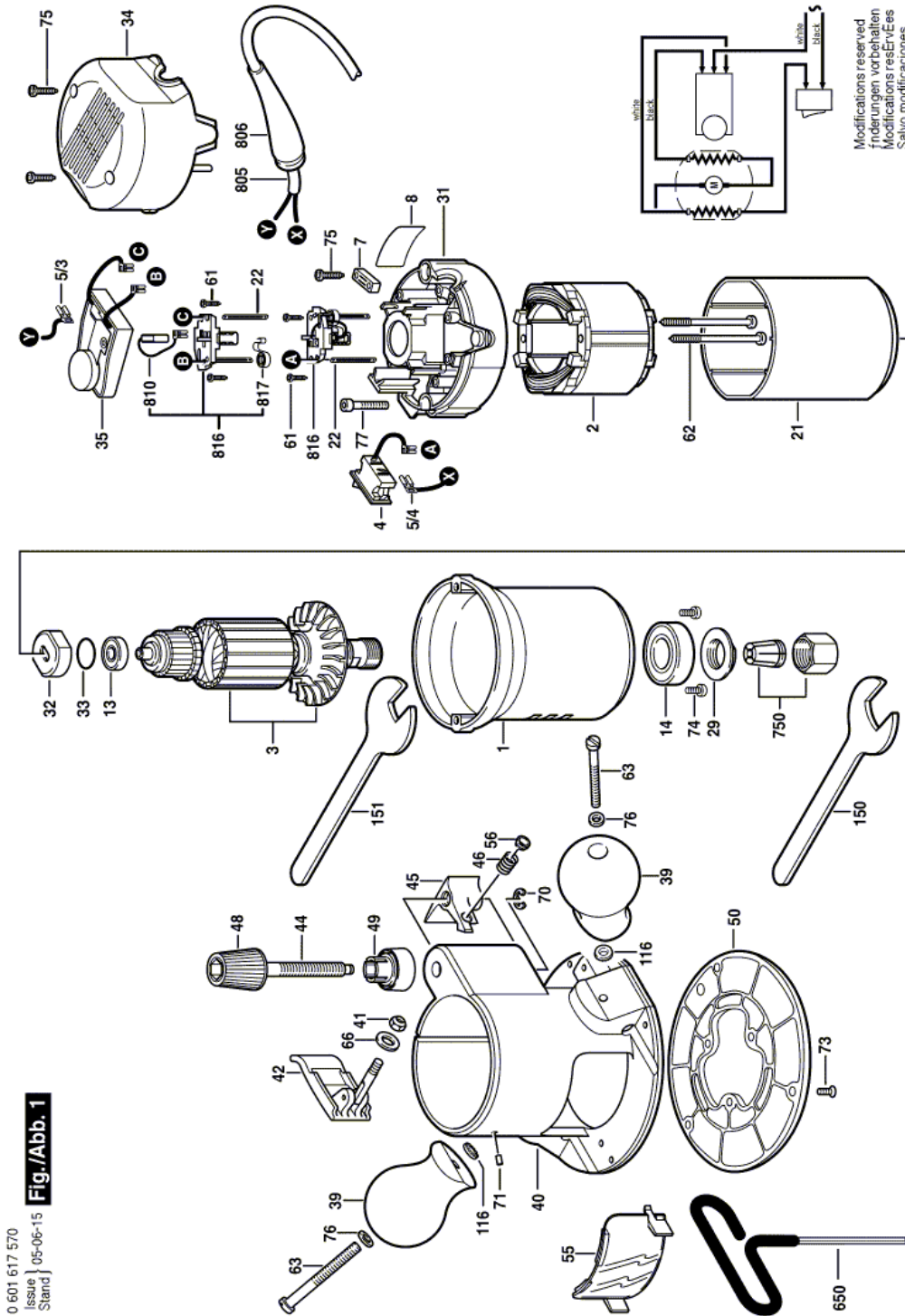
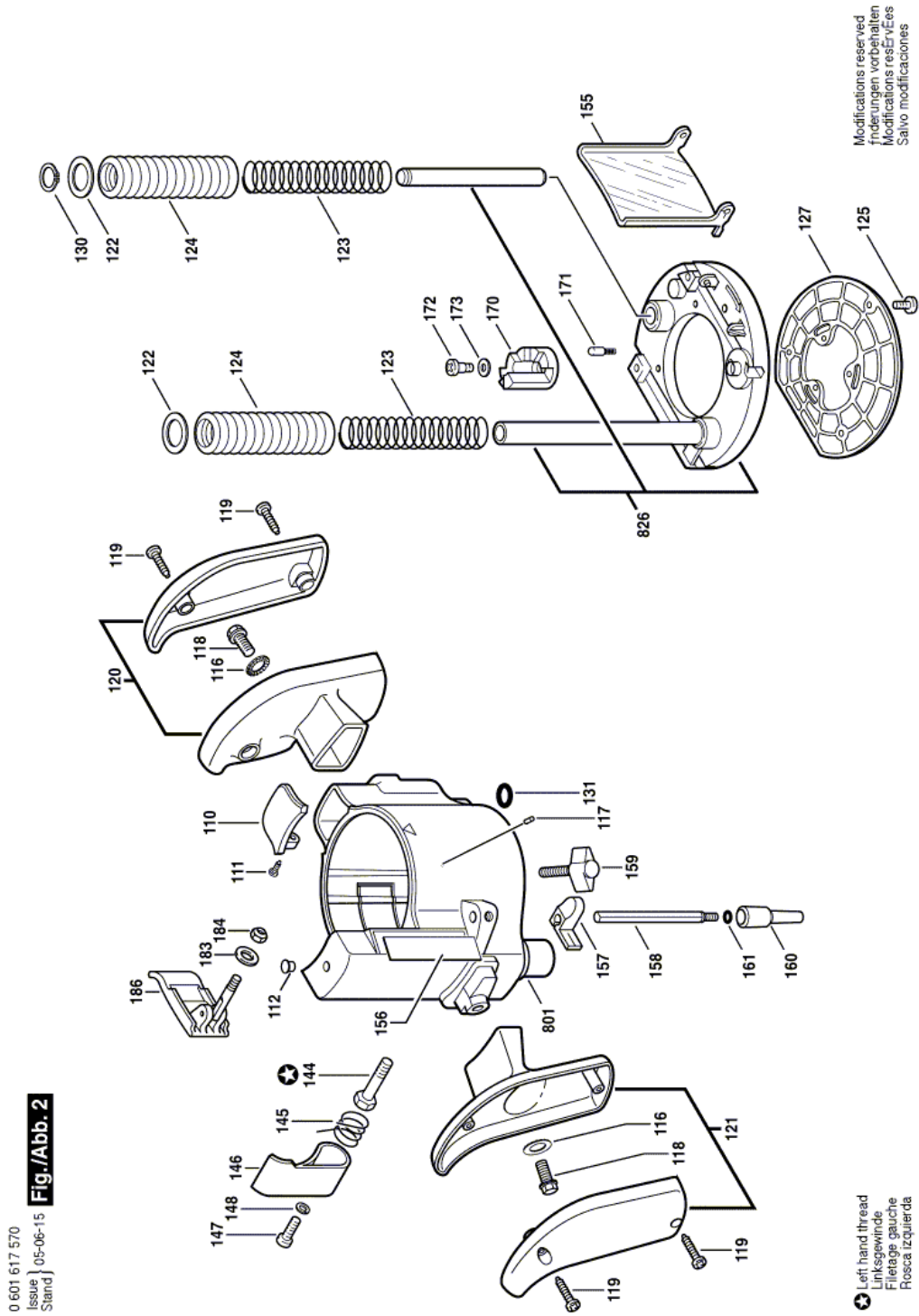


Illustration - Type E



Information subject to change without further notice.

Router - 0 601 617 570 - 130.26620

www.powertools-aftersaleservice.com



BOSCH

Item	Part Number	Description	Illustration	Price	Quantity	Price Group
1	2 610 922 584	Motor Housing	1	-,-	1	34
2	1 619 P05 316	Field 120V	1	-,-	1	38
3	1 619 P05 216	Armature 120V	1	-,-	1	43
4	2 610 016 525	On-Off Switch	1	-,-	1	20
5/3	3 601 352 502	connecting terminal	1	-,-	1	-
5/4	3 601 352 501	Ring	1	-,-	1	-
7	2 601 035 001	Cable Clip	1	-,-	1	11
8	2 610 919 701	Nameplate	1	-,-	1	15
13	3 600 905 513	groove ball bearing	1	-,-	1	24
14	3 600 905 512	groove ball bearing	1	-,-	1	27
21	2 610 009 656	Insulating Sleeve	1	-,-	1	22
22	1 604 477 005	Blade terminal	1	-,-	2	11
29	2 610 993 582	Nut	1	-,-	1	16
31	2 610 927 709	Rear Housing Section	1	-,-	1	33
32	2 610 991 375	Bearing Holder	1	-,-	1	18
33	1 900 210 115	O-Ring	1	-,-	1	13
34	2 610 927 710	Housing Cover	1	-,-	1	32
35	2 610 923 175	Speed governor	1	-,-	1	37
39	2 610 919 706	Handle	1	-,-	1	25
40	2 610 922 557	Base	1	-,-	1	40
41	1 613 300 006	Hex Nut M6	1	-,-	1	11
42	2 610 915 060	Clamping Lever	1	-,-	1	20
44	2 610 922 527	Rod	1	-,-	1	15
45	2 610 991 385	Lever	1	-,-	1	19
46	2 610 991 371	Spring	1	-,-	1	12
48	2 610 993 576	Adjusting Device	1	-,-	1	13
49	2 610 993 577	Ring	1	-,-	1	16
50	2 610 922 560	Cover Plate	1	-,-	1	27
55	2 610 991 389	Chip Deflector	1	-,-	1	19
56	2 610 991 372	Cover	1	-,-	1	10
61	2 910 611 006	Tapping Screw DIN 7981-ST2,9x13-C-H	1	-,-	4	11
62	2 610 991 306	Tapping Screw	1	-,-	2	11
63	2 910 011 219	Socket head cap screw DIN 84-BM6x70-5.8	1	-,-	2	11

Item	Part Number	Description	Illustration	Price	Quantity	Price Group
66	2 918 660 004	Washer DIN 126-9-A2	1	-,-	1	10
70	2 610 996 054	Retaining snap ring	1	-,-	1	11
71	2 610 994 492	Bolt	1	-,-	1	10
73	2 610 915 161	Screw	1	-,-	4	15
74	2 910 641 120	Oval-Head Screw	1	-,-	2	10
75	2 610 910 566	Tapping Screw	1	-,-	4	11
76	2 916 011 013	Plain Washer DIN 433-6,4-ST 50	1	-,-	2	10
77	2 910 141 166	Hex Socket Head Cap Screw DIN 912-M 5x30-8.8	1	-,-	2	11
110	2 610 912 594	Protection cover	2	-,-	1	15
111	2 610 990 022	Screw	2	-,-	1	11
112	2 610 914 852	Plug	2	-,-	1	10
116	2 916 079 032	Serrated Lock-Washer	1	-,-	4	11
117	2 610 994 492	Bolt	2	-,-	1	10
118	2 610 996 143	Screw	2	-,-	2	11
119	2 610 913 441	Screw	2	-,-	4	10
120	2 610 919 932	Handle	2	-,-	1	23
121	2 610 920 770	Handle	2	-,-	1	23
122	2 610 914 639	Disc	2	-,-	2	10
123	2 610 912 598	Compression Spring	2	-,-	2	11
124	3 605 510 548	Bellows	2	-,-	2	18
125	2 610 915 161	Screw	2	-,-	3	15
127	2 610 922 561	Cover Plate	2	-,-	1	28
130	2 916 650 003	Spring retaining ring DIN 471-12x1-FSt	2	-,-	1	10
131	1 900 210 111	O-Ring 12x3 MM	2	-,-	1	13
144	3 603 450 504	Lock Bolt	2	-,-	1	17
145	3 604 651 503	Compression Spring	2	-,-	1	13
146	3 602 000 510	Locking Lever	2	-,-	1	13
147	2 910 641 122	Oval-Head Screw DIN 7985-M4X12-4.8-H	2	-,-	1	13
148	2 916 680 005	Spring Lock Washer B 4 DIN 127	2	-,-	1	10
150	2 610 992 417	Single-Head Eng. Wrench	1	-,-	1	27
151	2 610 991 388	Single-Head Eng. Wrench	1	-,-	1	22
155	2 610 912 599	Chip Deflector	2	-,-	1	20
156	2 610 914 201	Reference Plate	2	-,-	1	15
157	2 610 997 094	Pointer	2	-,-	1	19
158	2 610 912 600	Rod	2	-,-	1	23
159	1 613 480 008	Wing Screw M6x20 MM	2	-,-	1	11
160	2 610 912 601	Knob	2	-,-	1	19
161	2 610 068 154	O-Ring	2	-,-	1	10
170	3 600 232 503	Depth-Gauge	2	-,-	1	24
171	2 600 590 006	Ratchet Cap	2	-,-	1	11
172	3 603 415 556	Pan head screw M4	2	-,-	1	13
173	3 916 060 500	Spring Washer	2	-,-	2	10
183	2 918 660 004	Washer DIN 126-9-A2	2	-,-	1	10
184	1 613 300 006	Hex Nut M6	2	-,-	1	11
186	2 610 915 060	Clamping Lever	2	-,-	1	20
650	2 610 923 193	Adjusting Wrench	1	-,-	1	20
750	2 610 956 672	Assembly 1/4"	1	-,-	1	-
750	2 610 018 974	Collet 3/8"	1	-,-	1	37
750	2 610 001 496	Assembly 1/2"	1	-,-	1	30
801	2 610 923 123	Base	2	-,-	1	-
805	3 604 460 560	Power supply cord USA/CDN 2,15m 2 x 1,32mm SJ 16/2	1	-,-	1	25
806	3 600 703 512	Grommet Ø 8,4 MM	1	-,-	1	15

Item	Part Number	Description	Illustration	Price	Quantity	Price Group
810	2 610 007 957	Carbon-Brush Set	1	-,-	1	23
816	3 604 336 506	Brush Holder	1	-,-	1	30
817	3 604 652 501	Spiral Spring	1	-,-	1	15
826	2 610 997 115	Base	2	-,-	1	43