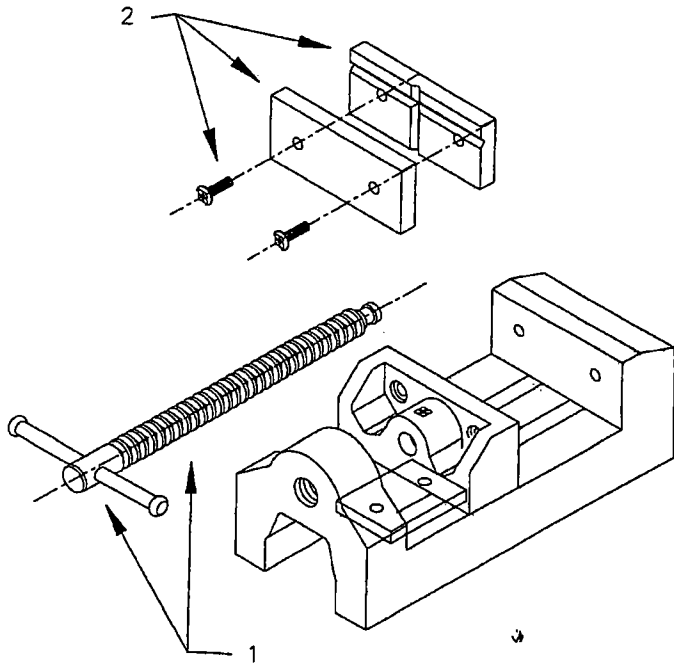
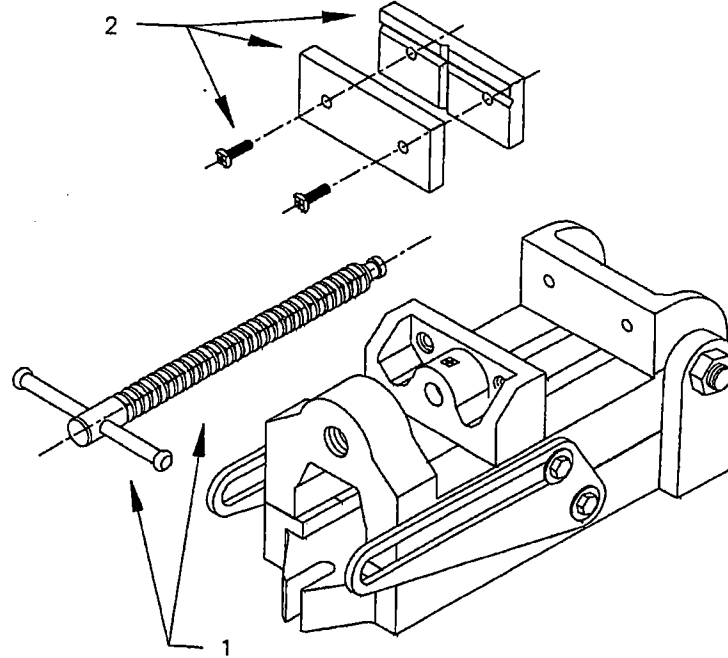


SMALL DRILL PRESS VISES  
Standard Models, 25 & 30  
Replacement Parts



Angle Models, 25A & 30A



WILTON MODEL NUMBER	BASIC VISE SIZE JAW WIDTH	ITEM #1 SPINDLE ASSEMBLY	ITEM #2 JAW INSERTS WITH SCREWS
25	2-1/2"	1400251	1400271
30	3"	1400381	1400411
25A	2-1/2"	1400251	1400271
30A	3"	1400381	1400411