

ILLUSTRATED PARTS LIST

MODEL NUMBER 12524SB

PRODUCT NUMBER 961 93 00-46

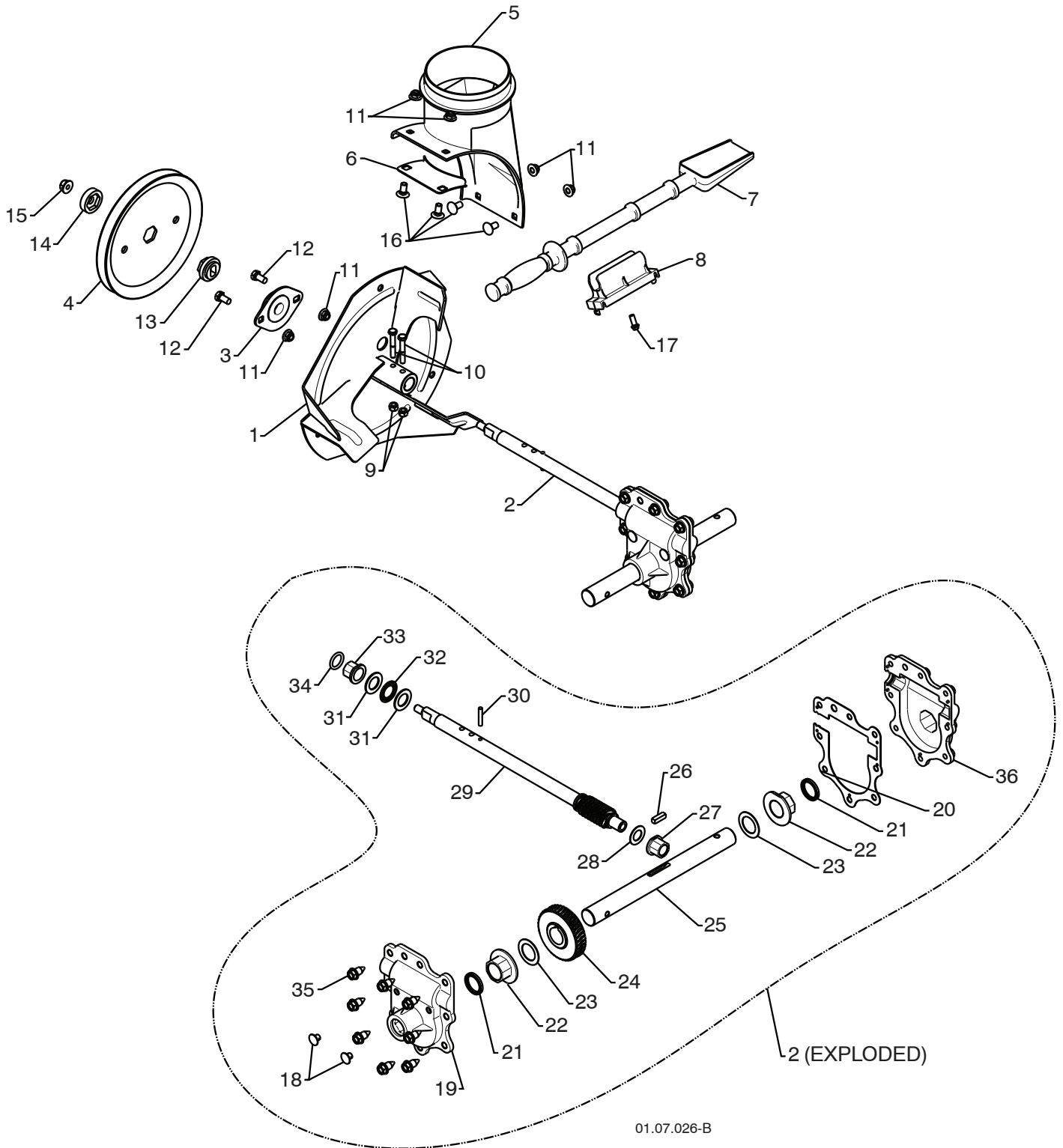
MFG. ID. NUMBER 96193004600

2009-06

REPAIR PARTS

AUGER HOUSING / IMPELLER ASSEMBLY

SNOW THROWER - MODEL NO. 12524SB (96193004600), PRODUCT NO. 961 93 00-46



01.07.026-B

REPAIR PARTS**AUGER HOUSING / IMPELLER ASSEMBLY****SNOW THROWER - MODEL NO. 12524SB (96193004600), PRODUCT NO. 961 93 00-46**

NO. DE REF.	NO. DE PIECE	DESCRIPTION
1	532 18 41-05	IMPELLER
2	532 42 71-48	GEARBOX ASSEMBLY
3	532 18 89-09	BEARING
4	532 42 71-46	IMPELLER PULLEY
5	532 17 53-22	DISCHARGE BASE
6	532 18 40-95	CORNER BRACKET
7	532 19 21-99	CLEAN OUT TOOL
8	532 40 54-00	TOOL CLIP
9	873 80 04-00	NUT 1/4-20
10	874 78 04-26	SCREW 1/4-20 X .625
11	532 42 79-42	NUT 5/16-18
12	532 16 31-83	SCREW 5/16-18 X .625
13	532 42 71-45	IMPELLER HUB
14	532 42 71-54	IMPELLER SLEEVE
15	873 90 06-00	NUT 3/8-16
16	532 18 03-55	CARRIAGE BOLT
17	532 19 41-89	SCREW 13-16 X .625
18	532 40 77-60	PLUG
19	532 42 73-02	GEARBOX COVER RH
20	532 42 73-45	GASKET
21	532 40 77-70	SEAL
22	532 40 77-62	BEARING
23	532 17 46-97	THRUST WASHER 1.00
24	532 40 77-63	WORM GEAR
25	532 40 77-64	AUGER SHAFT
26	532 18 92-82	SQUARE KEY
27	532 40 77-58	BEARING
28	532 17 46-83	THRUST WASHER
29	532 42 71-47	IMPELLER SHAFT
30	532 18 42-05	ROLL PIN
31	532 17 46-81	THRUST WASHER
32	532 17 46-84	THRUST BEARING
33	532 40 77-69	BEARING
34	532 40 77-68	O-RING
35	532 40 77-67	SCREW 5/16-18 X .750
36	532 42 73-17	GEARBOX COVER LH

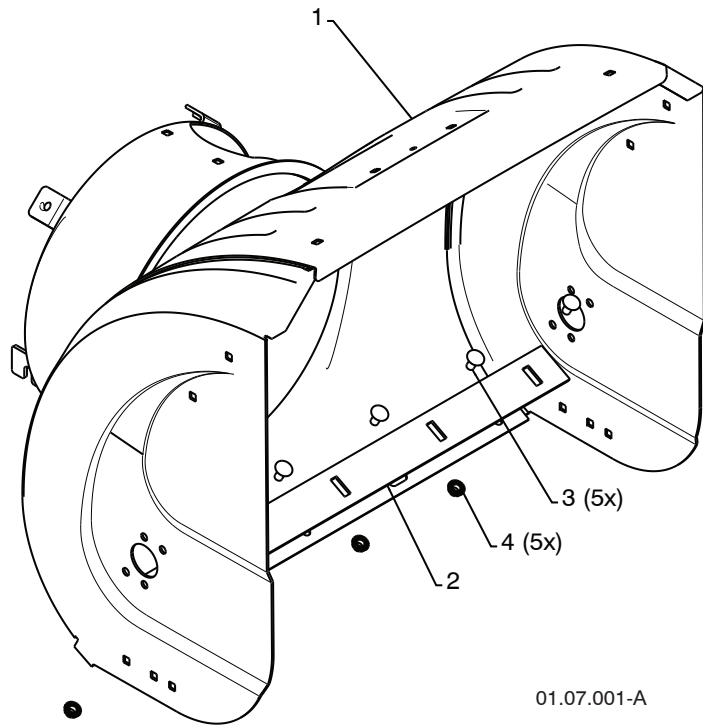
REMARQUE: Toutes les dimensions de composant sont données en pouces É.-U. 1 pouce = 25,4 mm.

IMPORTANT: N'utilisez que les pièces de rechange autorisée par le fabricant de votre souffleuse à neige (O.E.M.).
Échec pour faire ainsi est dangereux et risque d'endommager votre souffleuse à neige et d'annuler sa garantie.

REPAIR PARTS

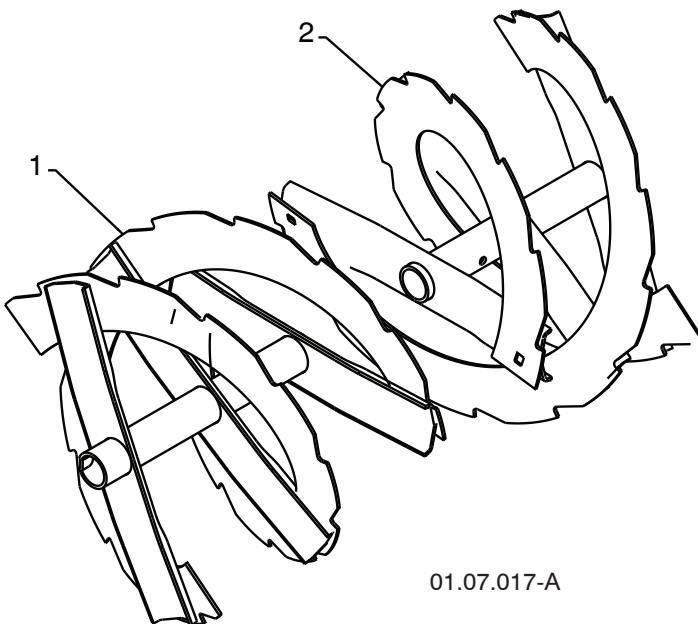
AUGER HOUSING / IMPELLER ASSEMBLY

SNOW THROWER - MODEL NO. 12524SB (96193004600), PRODUCT NO. 961 93 00-46



KEY NO.	PART NO.	DESCRIPTION
1	532 40 78-80	AUGER HOUSING
2	532 40 78-25	SCRAPPER BAR
3	872 27 05-05	CARRIAGE BOLT 5/16-18 X .625
4	532 15 53-77	NUT 5/16-18

01.07.001-A



KEY NO.	PART NO.	DESCRIPTION
1	532 42 10-72	AUGER ASSEMBLY LH 24
2	532 42 10-73	AUGER ASSEMBLY RH 24

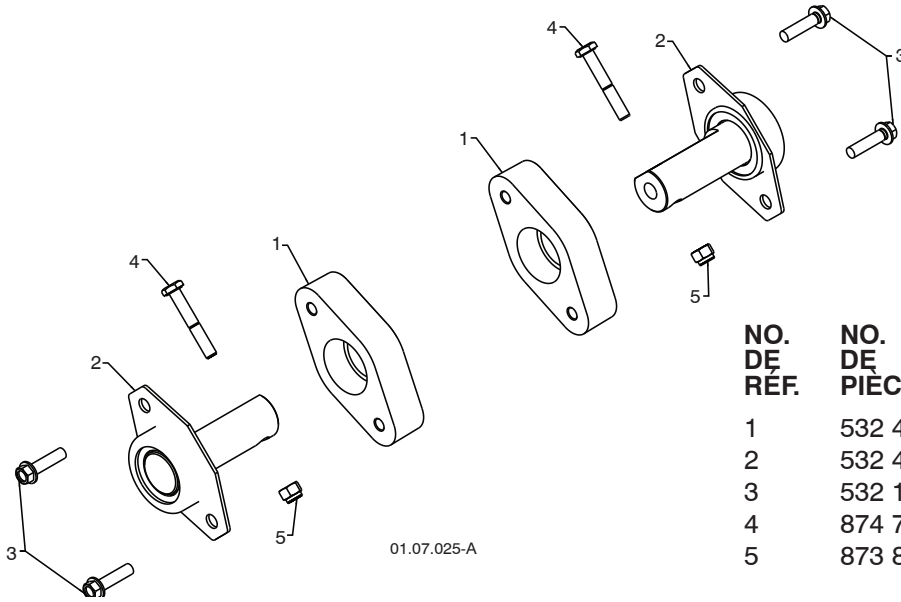
01.07.017-A

REMARQUE: Toutes les dimensions de composant sont données en pouces É.-U. 1 pouce = 25,4 mm.
IMPORTANT: N'utilisez que les pièces de rechange autorisée par le fabricant de votre souffleuse à neige (O.E.M.).
 Échec pour faire ainsi est dangereux et risque d'endommager votre souffleuse à neige et d'annuler sa garantie.

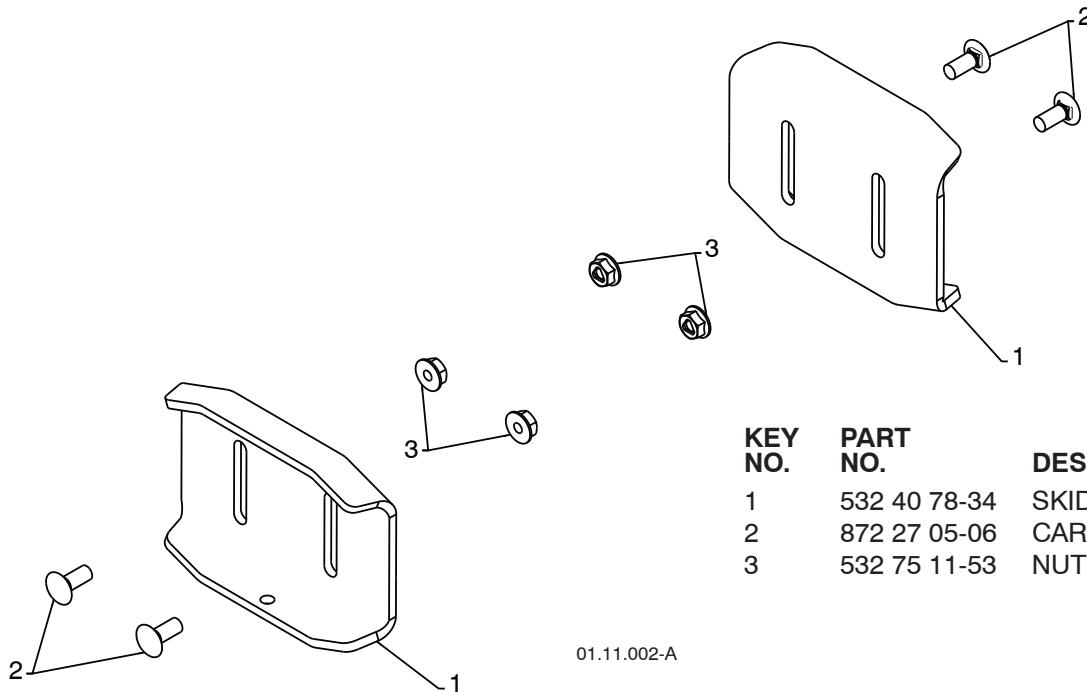
REPAIR PARTS

AUGER HOUSING / IMPELLER ASSEMBLY

SNOW THROWER - MODEL NO. 12524SB (96193004600), PRODUCT NO. 961 93 00-46



NO. DE RÉF.	NO. DE PIÈCE	DESCRIPTION
1	532 42 40-20	PLASTIC RETAINER
2	532 42 77-62	AUGER BALL BEARING
3	532 17 95-82	SCREW 5/16-18 X 1.00
4	874 78 04-26	SCREW 1/4-20 X .625
5	873 80 04-00	NUT 1/4-20



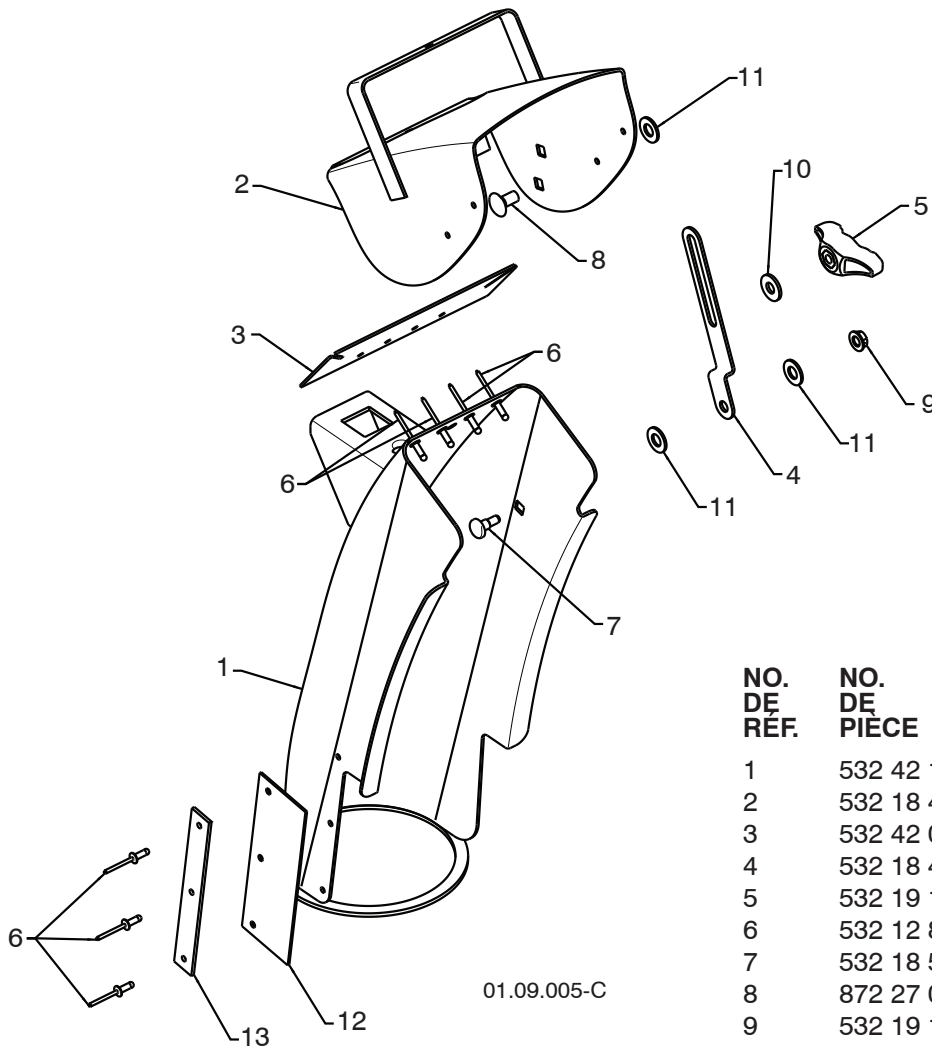
KEY NO.	PART NO.	DESCRIPTION
1	532 40 78-34	SKID PLATE
2	872 27 05-06	CARRIAGE BOLT 5/16-18 X .750
3	532 75 11-53	NUT 5/16-18

REMARQUE: Toutes les dimensions de composant sont données en pouces É.-U. 1 pouce = 25,4 mm.
IMPORTANT: N'utilisez que les pièces de rechange autorisée par le fabricant de votre souffleuse à neige (O.E.M.).
 Échec pour faire ainsi est dangereux et risque d'endommager votre souffleuse à neige et d'annuler sa garantie.

REPAIR PARTS

CONTROL PANEL / DISCHARGE CHUTE

SNOW THROWER - MODEL NO. 12524SB (96193004600), PRODUCT NO. 961 93 00-46



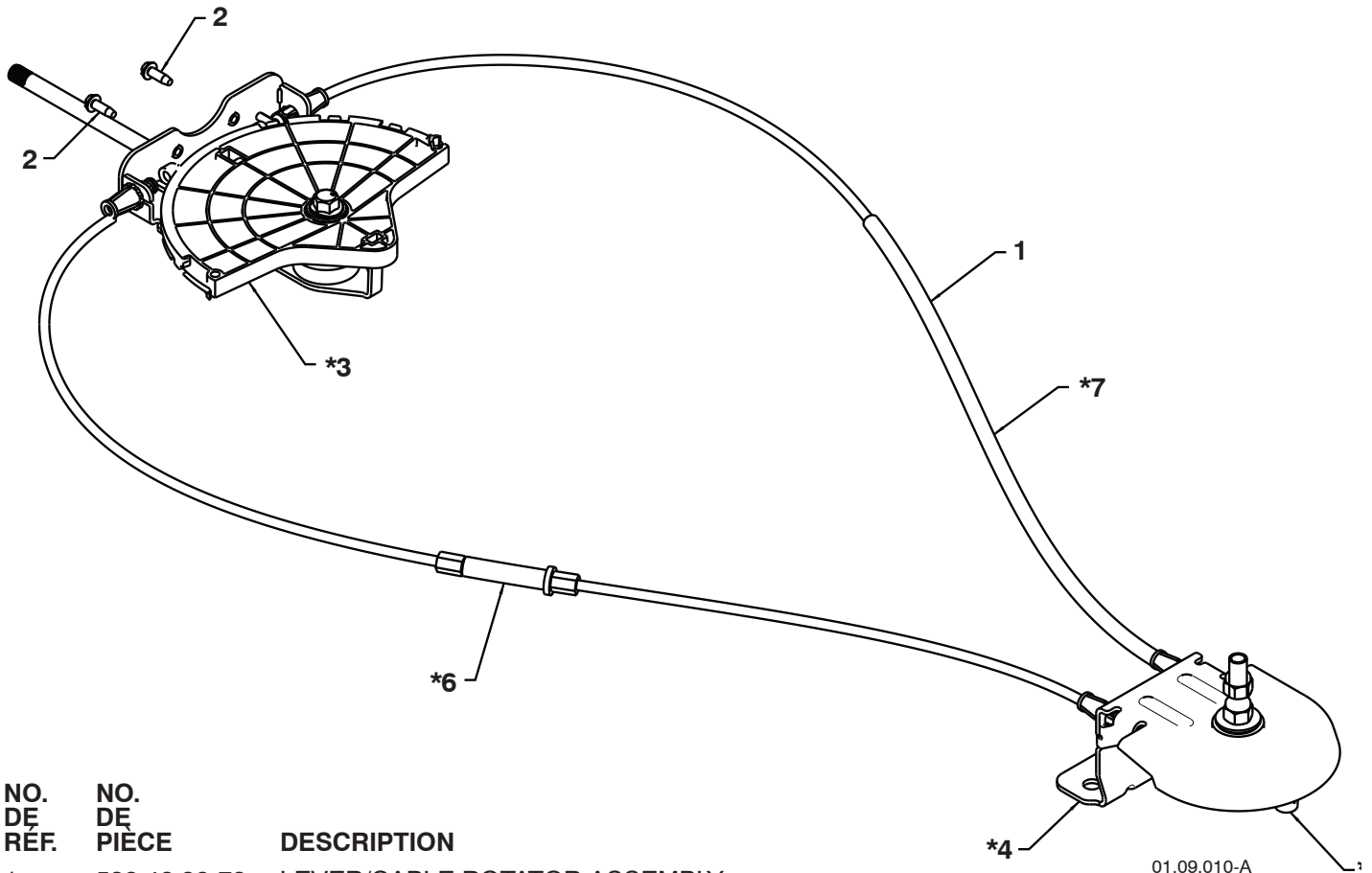
NO. DE RÉF.	NO. DE PIÈCE	DESCRIPTION
1	532 42 17-14	CHUTE WELDMENT
2	532 18 41-13	DEFLECTOR WELDMENT
3	532 42 03-25	DEFLECTOR SEAL
4	532 18 41-14	STRAP
5	532 19 19-38	KNOB BLACK
6	532 12 84-15	POP RIVET
7	532 18 56-00	SHOULDER BOLT 1/4-20 X .704
8	872 27 05-05	CARRIAGE BOLT 5/16-18 X .625
9	532 19 17-30	NUT 1/4-20
10	532 15 54-15	WASHER
11	532 17 92-46	PLASTIC WASHER
12	532 41 98-21	CHUTE SNOW SHIELD
13	532 42 17-28	SHIELD RETAINER STRAP

REMARQUE: Toutes les dimensions de composant sont données en pouces É.-U. 1 pouce = 25,4 mm.
IMPORTANT: N'utilisez que les pièces de rechange autorisée par le fabricant de votre souffleuse à neige (O.E.M.).
 Échec pour faire ainsi est dangereux et risque d'endommager votre souffleuse à neige et d'annuler sa garantie.

REPAIR PARTS

CONTROL PANEL / DISCHARGE CHUTE

SNOW THROWER - MODEL NO. 12524SB (96193004600), PRODUCT NO. 961 93 00-46



NO. DE RÉF.	NO. DE PIÈCE	DESCRIPTION
1	532 42 82-72	LEVER/CABLE ROTATOR ASSEMBLY
2	817 50 10-10	SCREW 10-24 X .625
*3	532 42 06-78	ROTATOR HEAD
*4	532 40 59-32	ROTATOR PIVOT BRACKET
*5	532 42 06-75	PULLEY PIVOT
*6	532 42 82-73	CABLE ASSEMBLY ADJUSTABLE
*7	532 42 83-10	CABLE ASSEMBLY HEAT SHIELD

NOTES:

1. ITEMS INDICATED WITH AN * ARE LISTED AS REFERENCE FOR SERVICE PARTS ONLY.

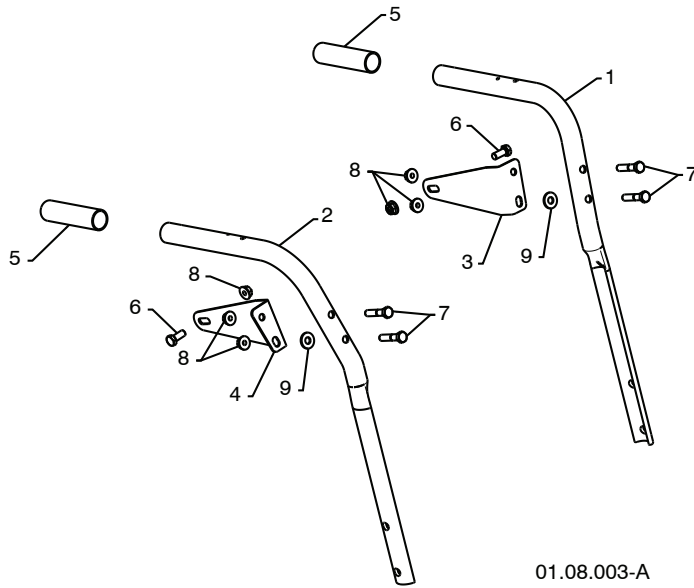
REMARQUE: Toutes les dimensions de composant sont données en pouces É.-U. 1 pouce = 25,4 mm.

IMPORTANT: N'utilisez que les pièces de rechange autorisée par le fabricant de votre souffleuse à neige (O.E.M.). Échec pour faire ainsi est dangereux et risque d'endommager votre souffleuse à neige et d'annuler sa garantie.

REPAIR PARTS

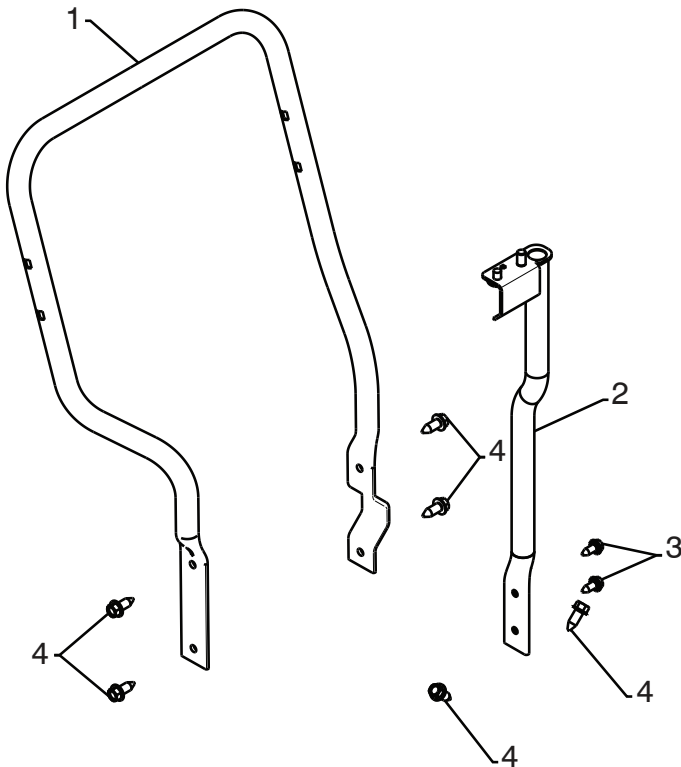
HANDLES

SNOW THROWER - MODEL NO. 12524SB (96193004600), PRODUCT NO. 961 93 00-46



01.08.003-A

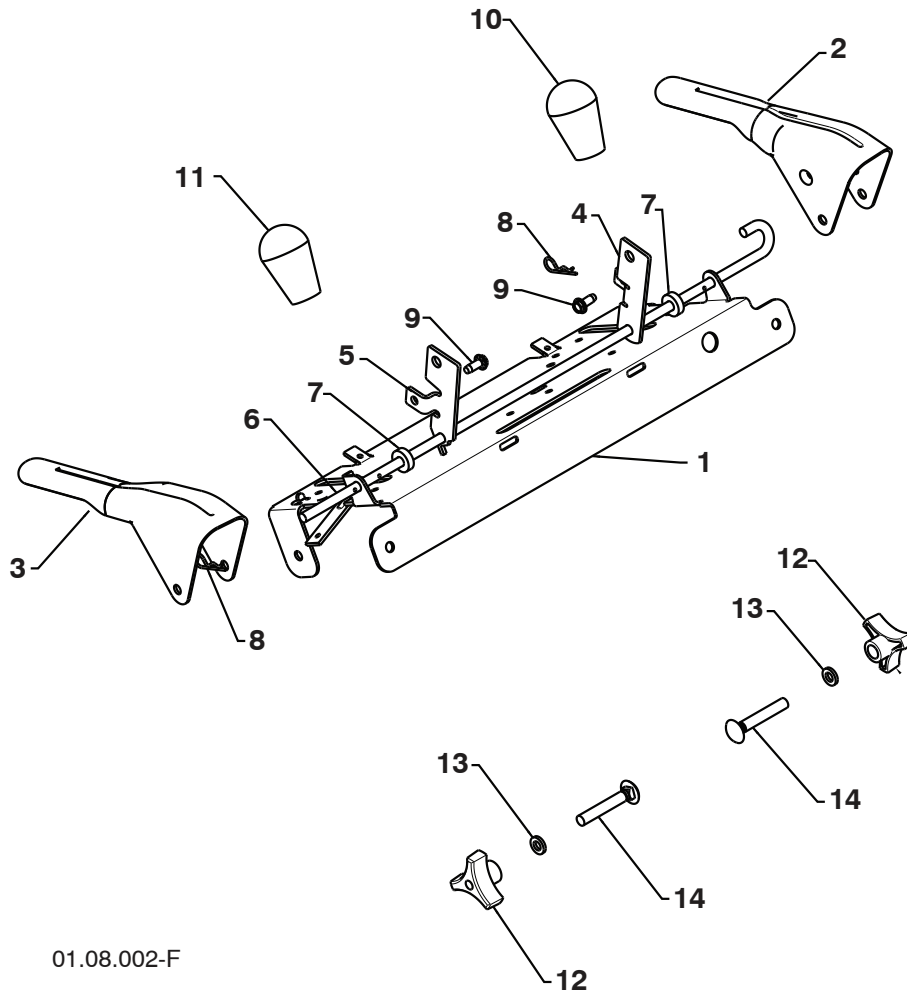
KEY NO.	PART NO.	DESCRIPTION
1	532 42 17-08	PLOW HANDLE LH
2	532 42 17-09	PLOW HANDLE RH
3	532 19 69-44	PANEL BRACKET LH
4	532 19 69-43	PANEL BRACKET RH
5	532 19 95-13	HANDLE GRIP
6	874 78 05-12	SCREW 5/16-18 X .750
7	874 78 05-24	SCREW 5/16-18 X 1.50
8	532 75 11-53	NUT 5/16-18
9	532 15 54-15	WASHER



01.05.003-C

NO. DE RÉF.	NO. DE PIÈCE	DESCRIPTION
1	532 42 17-05	LOWER TUBE
2	532 42 21-17	PIVOT SUPPORT
3	532 42 88-67	BOLT 5/16-18 X .750
4	817 00 06-16	SCREW 3/8-16 X 1 .00

REMARQUE: Toutes les dimensions de composant sont données en pouces É.-U. 1 pouce = 25,4 mm.
IMPORTANT: N'utilisez que les pièces de rechange autorisée par le fabricant de votre souffleuse à neige (O.E.M.).
 Échec pour faire ainsi est dangereux et risque d'endommager votre souffleuse à neige et d'annuler sa garantie.

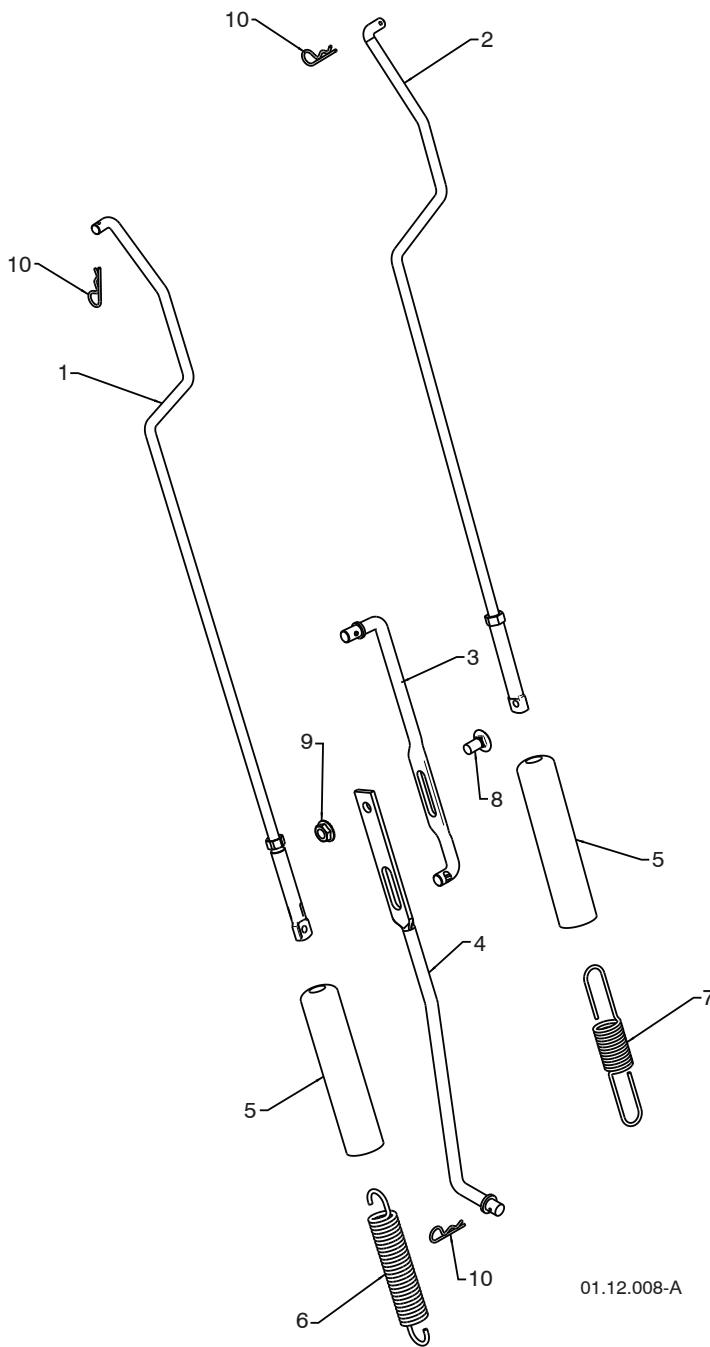


01.08.002-F

NO. DE RÉF.	NO. DE PIÈCE	DESCRIPTION
1	532 42 18-14	CONTROL PANEL
2	532 42 91-50	CONTROL LEVER LH
3	532 42 91-51	CONTROL LEVER RH
4	532 42 90-97	TRACTION ROD ARM
5	532 42 90-98	IMPELLER ROD ARM
6	532 41 26-77	INTERLOCK ROD
7	532 42 16-13	SPACER
8	532 16 96-75	RETAINER
9	817 06 04-10	SCREW 1/4-20 X .62
10	532 41 42-80	KNOB BLACK
11	532 41 42-81	KNOB RED
12	532 17 88-99	HANDLE KNOB
13	819 13 13-16	WASHER 3/8
14	872 12 06-18	CARRIAGE BOLT 3/8-16 X 2.25

REMARQUE: Toutes les dimensions de composant sont données en pouces É.-U. 1 pouce = 25,4 mm.

IMPORTANT: N'utilisez que les pièces de rechange autorisée par le fabricant de votre souffleuse à neige (O.E.M.). Échec pour faire ainsi est dangereux et risque d'endommager votre souffleuse à neige et d'annuler sa garantie.



NO. DE RÉF.	NO. DE PIÈCE	DESCRIPTION
1	532 18 04-80	IMPELLER ROD ASSEMBLY
2	532 40 57-40	TRACTION ROD ASSEMBLY
3	532 18 04-45	SHIFTER ROD TOP
4	532 18 77-16	SHIFTER ROD BOTTOM
5	532 18 04-47	SPRING SLEEVE
6	532 17 86-69	IMPELLER SPRING
7	532 18 09-26	TRACTION SPRING
8	872 27 05-05	CARRIAGE BOLT 5/16-18 X .750
9	532 15 53-77	NUT 5/16-18
10	532 16 96-75	RETAINER

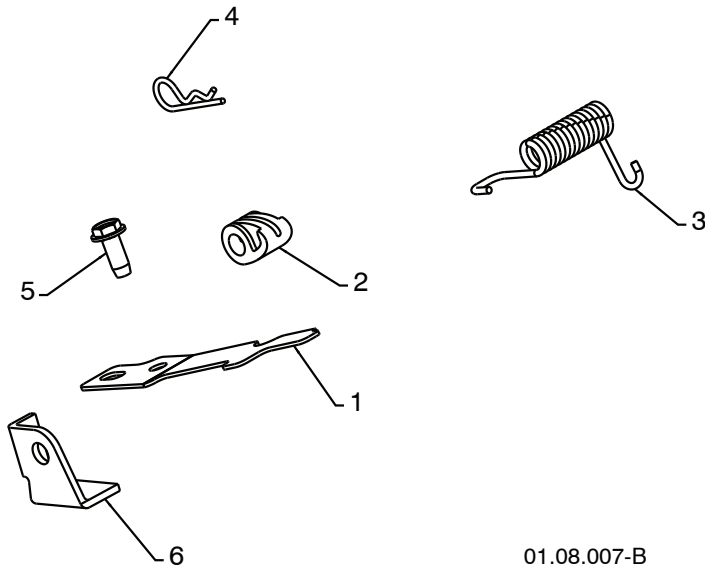
01.12.008-A

REMARQUE: Toutes les dimensions de composant sont données en pouces É.-U. 1 pouce = 25,4 mm.
IMPORTANT: N'utilisez que les pièces de rechange autorisée par le fabricant de votre souffleuse à neige (O.E.M.).
 Échec pour faire ainsi est dangereux et risque d'endommager votre souffleuse à neige et d'annuler sa garantie.

REPAIR PARTS

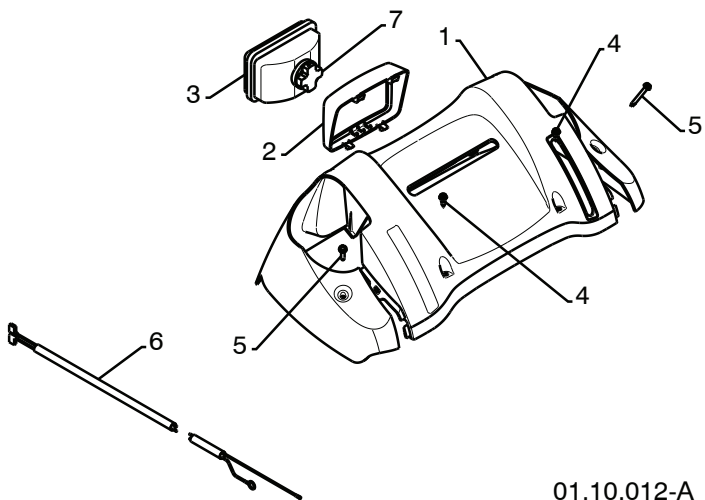
HANDLES

SNOW THROWER - MODEL NO. 12524SB (96193004600), PRODUCT NO. 961 93 00-46



KEY NO.	PART NO.	DESCRIPTION
1	532 41 62-88	INTERLOCK SPRING
2	532 41 45-72	INTERLOCK CAM
3	532 17 88-31	TORSION SPRING
4	532 16 96-75	RETAINER
5	817 06 04-10	SCREW 1/4-20 X .625
6	532 42 18-14	INTERLOCK STOP

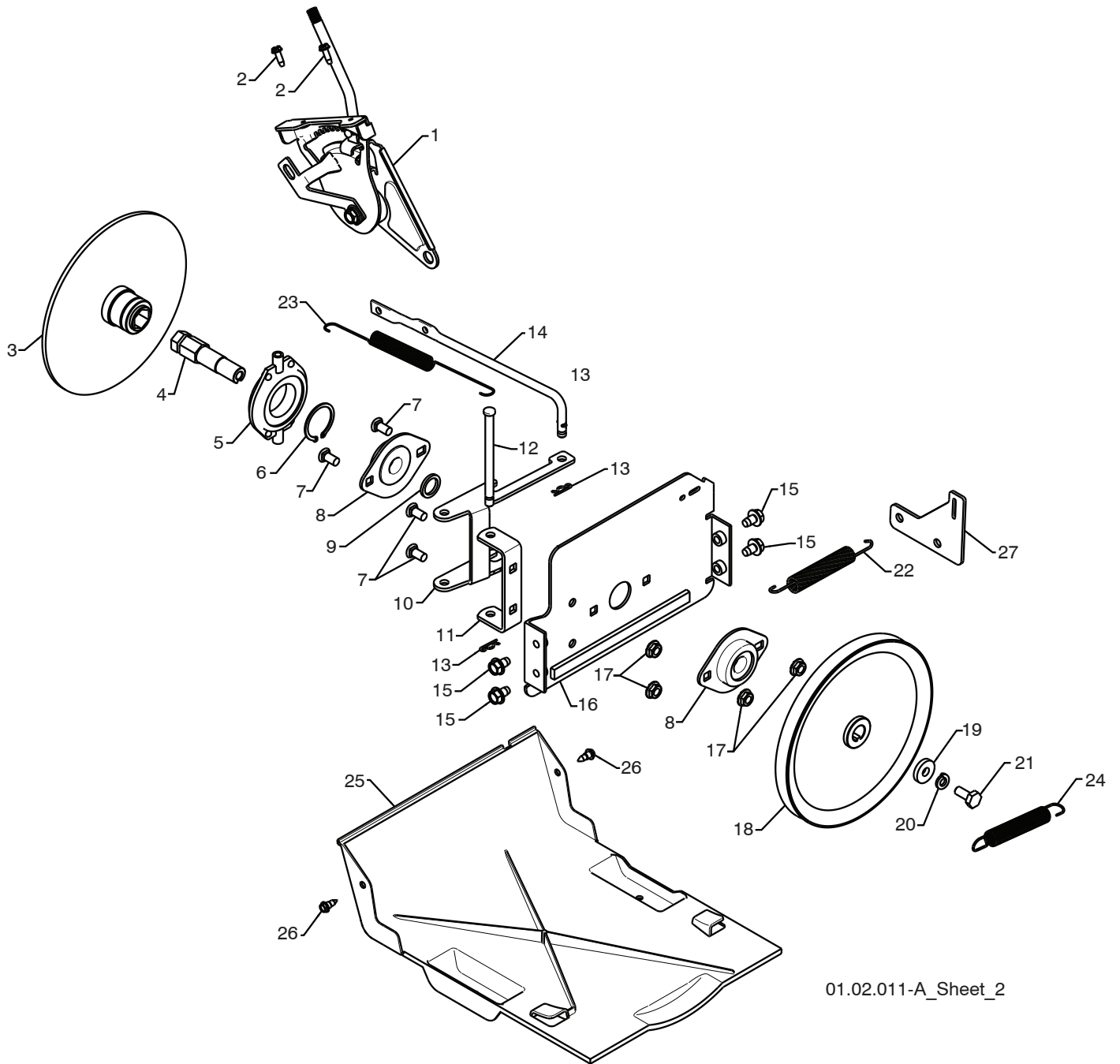
01.08.007-B



KEY NO.	PART NO.	DESCRIPTION
1	532 42 13-81	CONSOLE PANEL GRAY
2	532 42 14-48	HEADLIGHT BEZEL GRAY
3	532 18 09-27	FLOOD HEADLIGHT
4	532 18 44-71	SHOULDER SCREW 10-24 X .625
5	532 17 52-62	SCREW 10-24 X 1.25
6	532 17 87-70	WIRE HARNESS
7	532 18 37-84	BULB

01.10.012-A

REMARQUE: Toutes les dimensions de composant sont données en pouces É.-U. 1 pouce = 25,4 mm.
IMPORTANT: N'utilisez que les pièces de rechange autorisée par le fabricant de votre souffleuse à neige (O.E.M.).
 Échec pour faire ainsi est dangereux et risque d'endommager votre souffleuse à neige et d'annuler sa garantie.



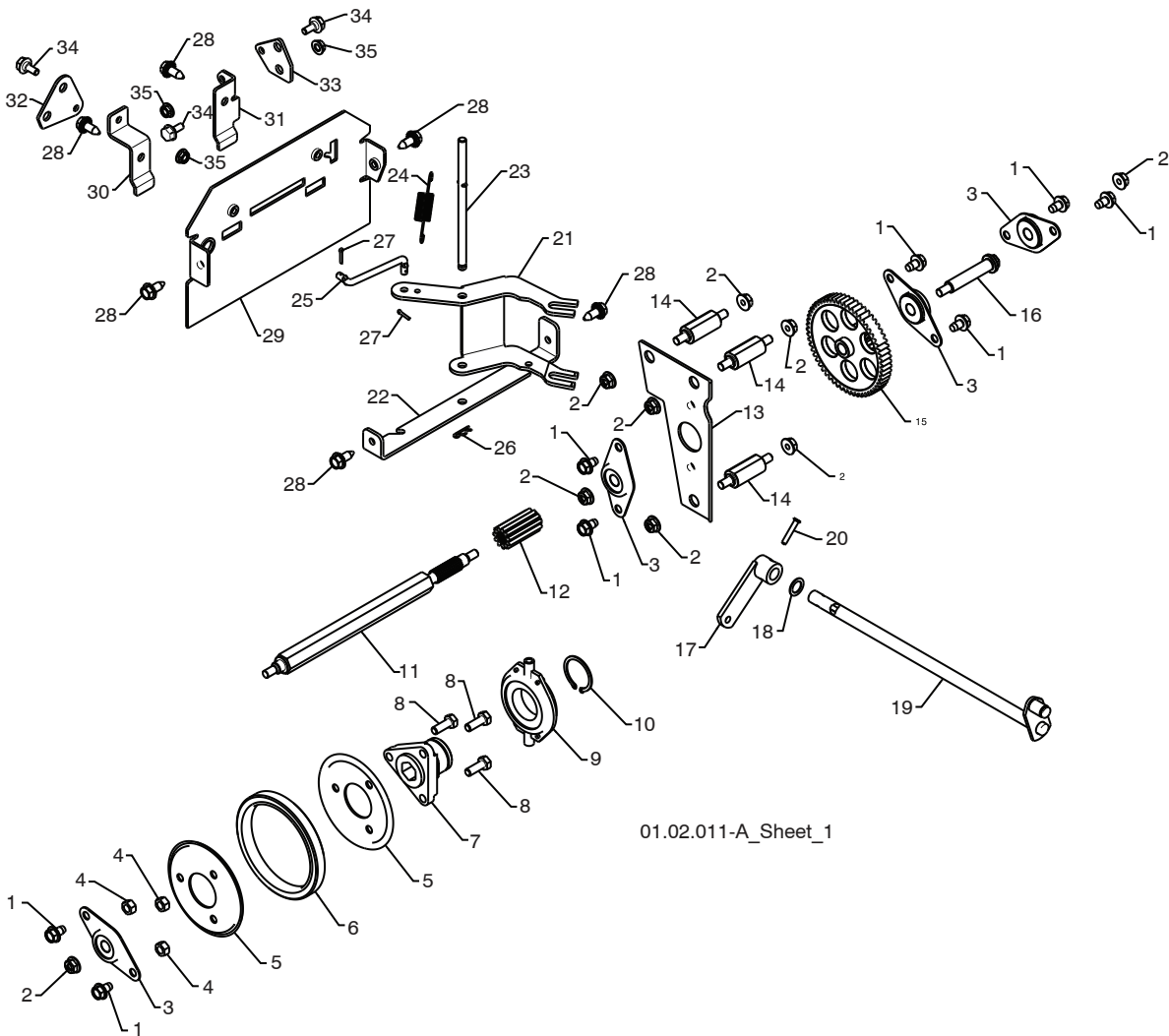
01.02.011-A_Sheet_2

KEY NO.	PART NO.	DESCRIPTION
1	532 19 88-75	SPEED SELECTOR HEAD ASSEMBLY
2	817 50 10-10	SCREW 10-24 X .625
3	532 19 77-63	DRIVE PLATE WELDMENT
4	532 19 77-64	HEX SHAFT
5	532 17 53-44	TRUNNION BEARING ASSEMBLY
6	812 00 00-12	RETAINER
7	872 27 05-05	CARRIAGE BOLT 5/16-18 X .625
8	532 18 89-09	FLANGE BEARING
9	532 18 25-04	SPACER
10	532 18 40-77	LEVER SHIFTER PLATE
11	532 18 40-76	SHIFTER SUPPORT BRACKET
12	532 17 86-95	PIN
13	532 08 51-79	RETAINER
14	532 40 33-00	CLUTCH ROD
15	817 49 05-08	BOLT 5/16-18 X .500
16	532 18 40-75	DRIVE MOUNT PLATE
17	532 15 53-77	NUT 5/16-18
18	532 19 10-80	TRACTION PULLEY
19	819 11 15-07	WASHER
20	810 04 05-00	LOCKWASHER 5/16
21	874 95 05-12	SCREW 5/16-18 X .750
22	532 18 10-44	TRACTION SPRING
23	532 17 90-95	RETURN SPRING
24	532 17 88-28	BRAKE SPRING
25	532 41 08-77	BOTTOM PAN
26	532 18 44-71	SCREW 10-24 X .625
27	532 41 66-82	TRACTION SPRING BRACKET

NOTE: All component dimensions given in U.S. inches. 1 inch = 25.4 mm

IMPORTANT: Use only Original Equipment Manufacturer (O.E.M.) replacement parts. Failure to do so could be hazardous, damage your snow thrower and void your warranty.

SNOW THROWER - MODEL NO. 12524SB (96193004600), PRODUCT NO. 961 93 00-46

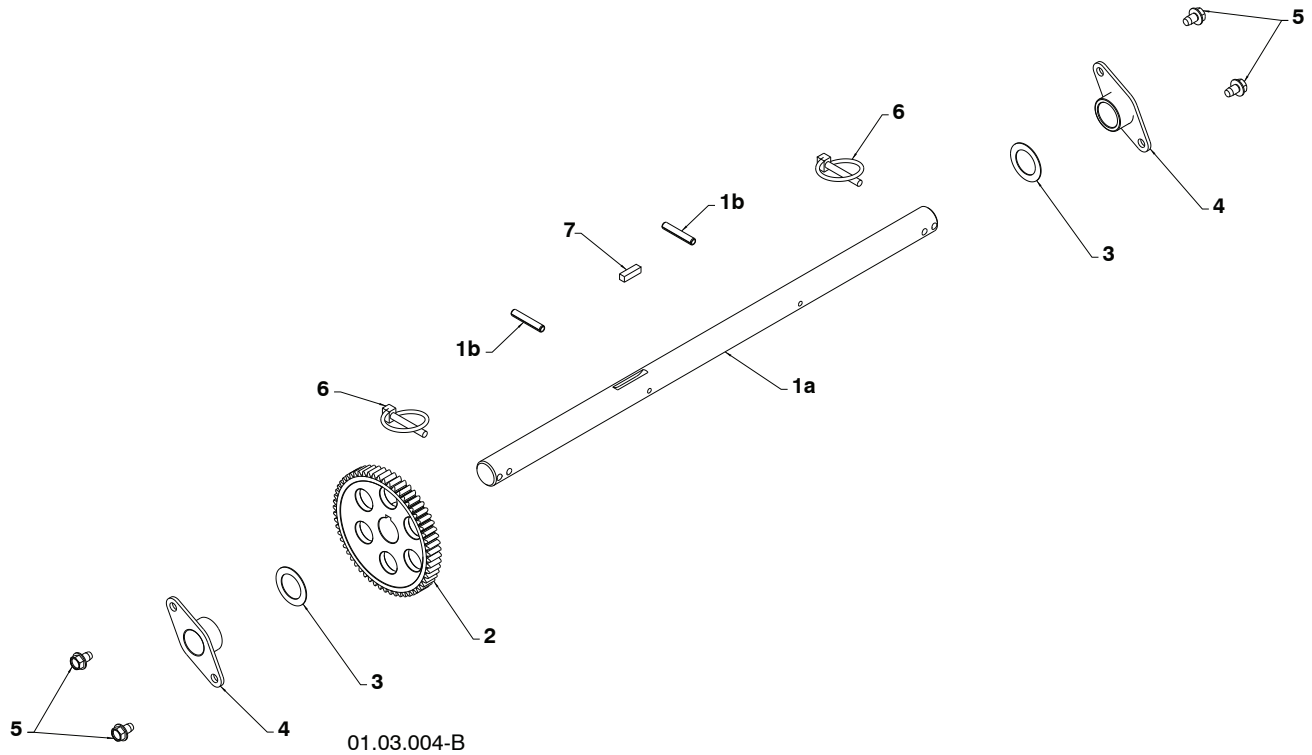


01.02.011-A_Sheet_1

KEY NO.	PART NO.	DESCRIPTION	KEY NO.	PART NO.	DESCRIPTION
1	817 49 05-08	BOLT 5/16-18 X .500	19	532 42 75-42	CONTROL SHAFT ASSEMBLY
2	532 75 11-53	NUT 5/16-18	20	532 19 85-80	CLEVIS PIN
3	532 18 00-17	FLANGE BEARING	21	532 18 40-80	SHIFTER LEVER
4	873 93 05-00	NUT 5/16-18	22	532 18 78-57	PIVOT BRACKET
5	532 19 95-09	RUBBER WHEEL PLATE	23	532 17 88-07	PIVOT PIN
6	532 17 98-31	RUBBER WHEEL RING	24	532 18 01-35	SPRING
7	532 17 86-13	RUBBER WHEEL HUB	25	532 18 71-01	SHIFTER LINK
8	874 76 05-14	BOLT 5/16-18 X .875	26	532 08 51-79	RETAINER
9	532 17 53-44	TRUNNION BEARING ASSEMBLY	27	532 70 02-79	CLIP
10	812 00 00-12	RETAINER	28	532 42 88-67	SCREW 5/16-18 x .750
11	532 18 00-66	HEX SHAFT	29	532 41 69-21	REAR PLATE
12	532 18 00-65	PINION GEAR	30	532 41 54-33	SHIFTER PLATE BRACKET
13	532 19 29-07	AUXILIARY PLATE	31	532 41 68-64	CLUTCH PLATE BRACKET
14	532 17 92-70	SPACER PLATE	32	532 41 54-50	SHIFTER PLATE
15	532 18 00-82	INTERMEDIATE GEAR	33	532 41 54-35	CLUTCH PLATE
16	532 18 01-34	AUXILIARY SHAFT	34	532 40 28-81	SHOULDER BOLT 3/8 x .25
17	532 40 54-85	CONTROL ARM	35	532 19 17-30	NUT 1/4-20
18	532 05 70-79	WASHER			

NOTE: All component dimensions given in U.S. inches. 1 inch = 25.4 mm

IMPORTANT: Use only Original Equipment Manufacturer (O.E.M.) replacement parts. Failure to do so could be hazardous, damage your snow thrower and void your warranty.



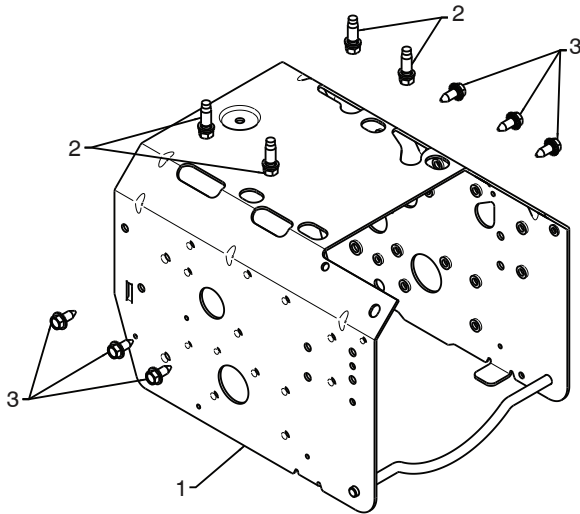
KEY NO.	PART NO.	DESCRIPTION
1	532 18 82-26	(assy of 1a,1b) AXLE ASSEMBLY
1a	532 17 93-52	AXLE SHAFT
1b	532 18 42-06	ROLL PIN 3/16
2	532 18 00-81	GEAR
3	532 17 46-97	THRUST WASHER
4	532 17 98-30	BEARING
5	817 49 05-08	BOLT 5/16-18 X .500
6	532 15 54-43	CLIK PIN
7	532 18 92-82	SQUARE KEY

NOTE: All component dimensions given in U.S. inches. 1 inch = 25.4 mm
IMPORTANT: Use only Original Equipment Manufacturer (O.E.M.) replacement parts. Failure to do so could be hazardous, damage your snow thrower and void your warranty.

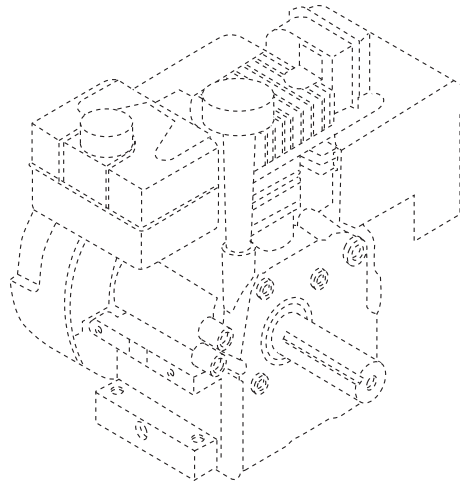
REPAIR PARTS

CHASSIS / ENGINE / PULLEYS

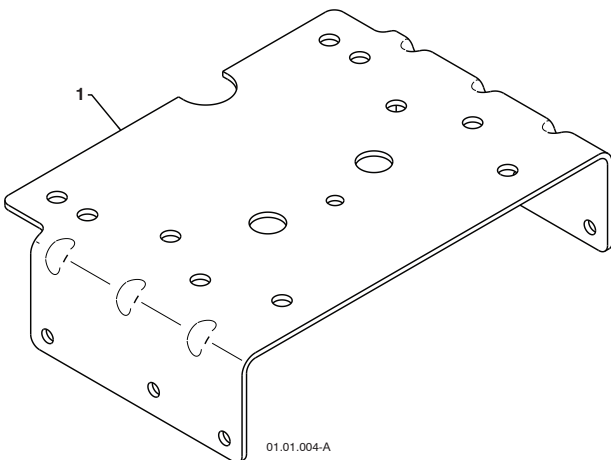
SNOW THROWER - MODEL NO. 12524SB (96193004600), PRODUCT NO. 961 93 00-46



01.00.033-A

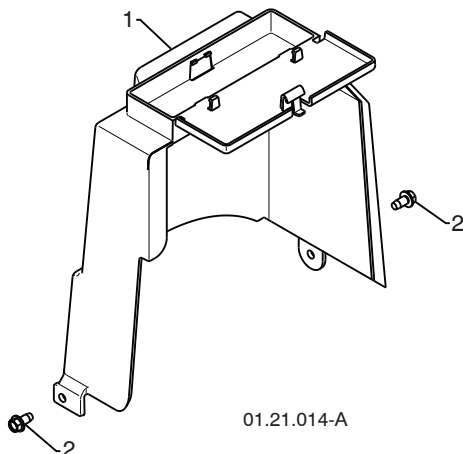


KEY NO.	PART NO.	DESCRIPTION
--	-----	LCT ENGINE MODEL PLMHK1985078-EA
1	532 42 92-03	FRAME
2	532 15 04-06	BOLT 3/8-16
3	532 42 88-67	SCREW 5/16-18 X .750



01.01.004-A

KEY NO.	PART NO.	DESCRIPTION
1	532 42 92-69	ENGINE MOUNTING PLATE



01.21.014-A

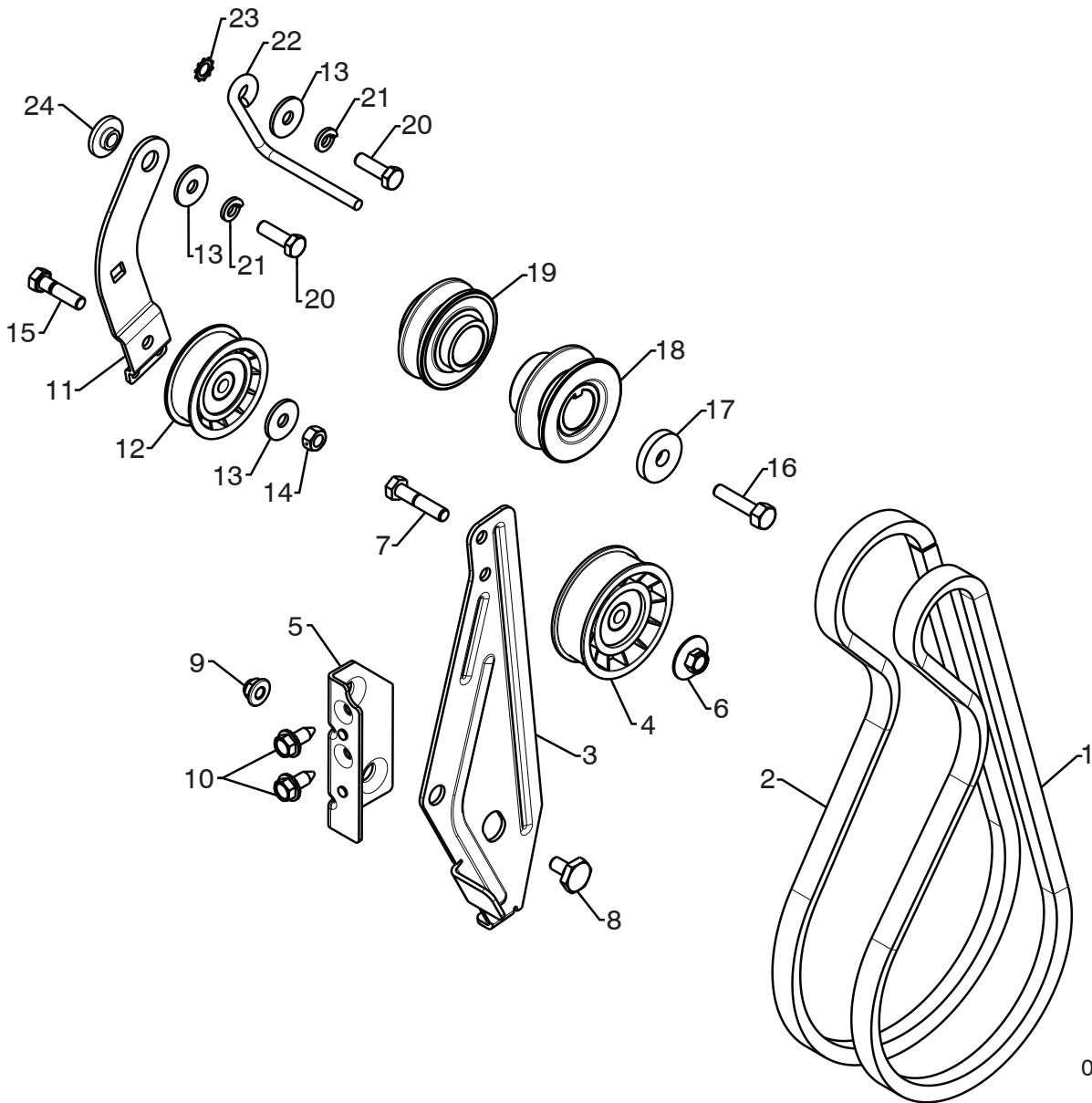
KEY NO.	PART NO.	DESCRIPTION
1	532 41 86-01	COVER ASSEMBLY
2	817 49 04-08	SCREW 1/4-20 X .50

NOTE: All component dimensions given in U.S. inches. 1 inch = 25.4 mm
IMPORTANT: Use only Original Equipment Manufacturer (O.E.M.) replacement parts. Failure to do so could be hazardous, damage your snow thrower and void your warranty.

REPAIR PARTS

CHASSIS / ENGINE / PULLEYS

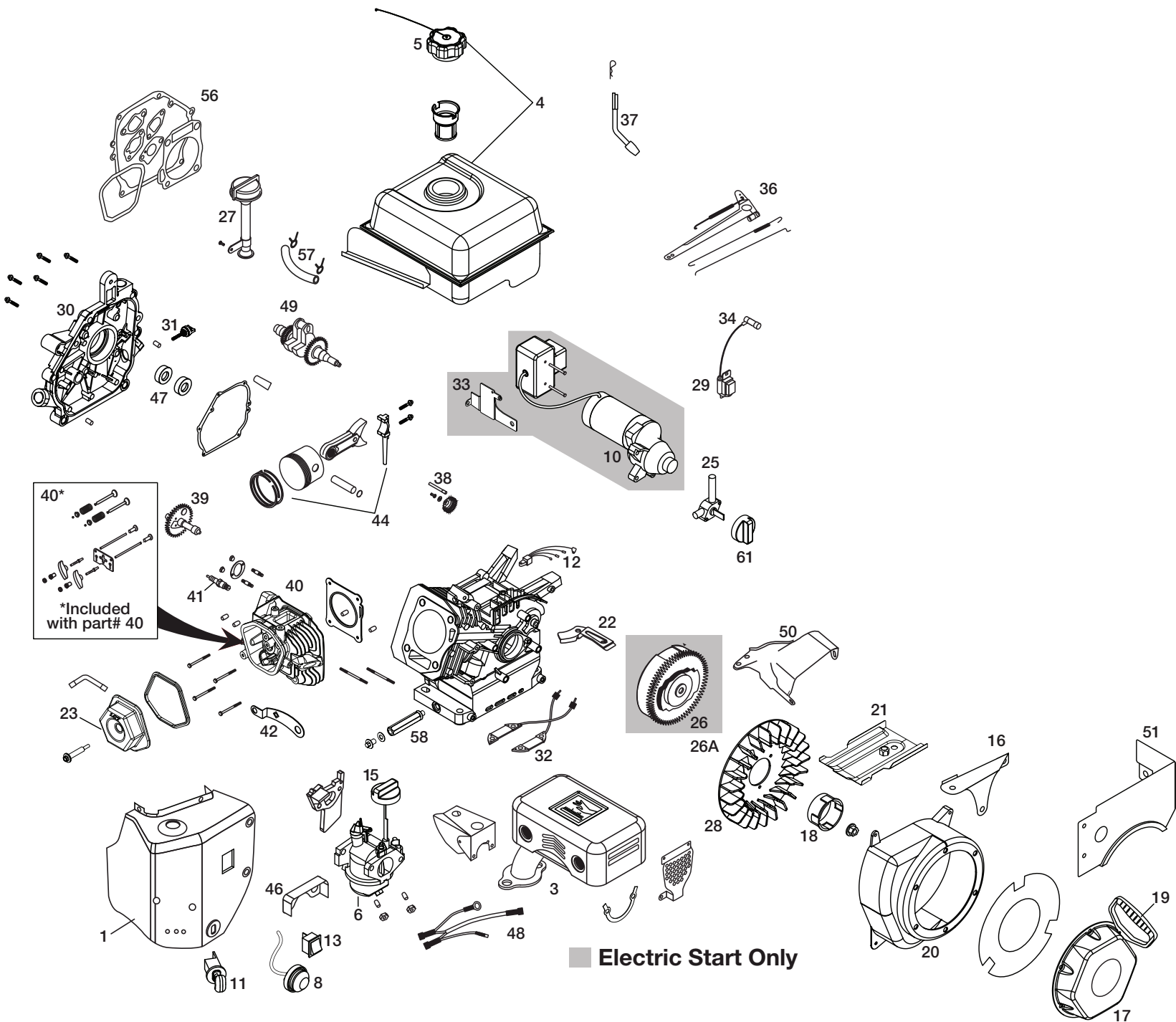
SNOW THROWER - MODEL NO. 12524SB (96193004600), PRODUCT NO. 961 93 00-46



01.21.005-A

KEY NO.	PART NO.	DESCRIPTION	KEY NO.	PART NO.	DESCRIPTION
1	532 41 98-88	IMPELLER BELT	13	532 05 92-89	WASHER
2	532 42 73-04	TRACTION BELT	14	873 93 05-00	NUT 5/16-18
3	532 42 92-71	IDLER ARM BRACKET	15	874 78 05-20	SCREW 5/16-18 X 1.25
4	532 18 05-23	IDLER PULLEY	16	532 85 10-84	SCREW 3/8-24 X 1.375
5	532 42 92-70	IDLER BRACKET	17	819 13 20-05	WASHER
6	532 42 65-89	NUT 5/16-18	18	532 42 59-34	PULLEY ENG IMPELLER
7	874 78 05-24	SCREW 5/16-18 X 1.50	19	532 42 59-33	PULLEY ENG TRACTION
8	532 42 42-97	SHOULDER BOLT 5/16-18 X .50	20	874 61 05-16	SCREW 5/16-24 X 1.00
9	532 42 79-42	NUT 5/16-18 NYLOCK	21	810 04 05-00	LOCKWASHER 5/16
10	532 42 88-67	SCREW 5/16-18 X .75	22	532 15 54-52	BELT GUIDE
11	532 42 75-76	TRACTION IDLER BRACKET	23	811 05 05-00	LOCKWASHER 5/16
12	532 18 05-22	TRACTION PULLEY	24	532 17 53-31	IDLER BUSHING

NOTE: All component dimensions given in U.S. inches. 1 inch = 25.4 mm
IMPORTANT: Use only Original Equipment Manufacturer (O.E.M.) replacement parts.
 Failure to do so could be hazardous, damage your snow thrower and void your warranty.



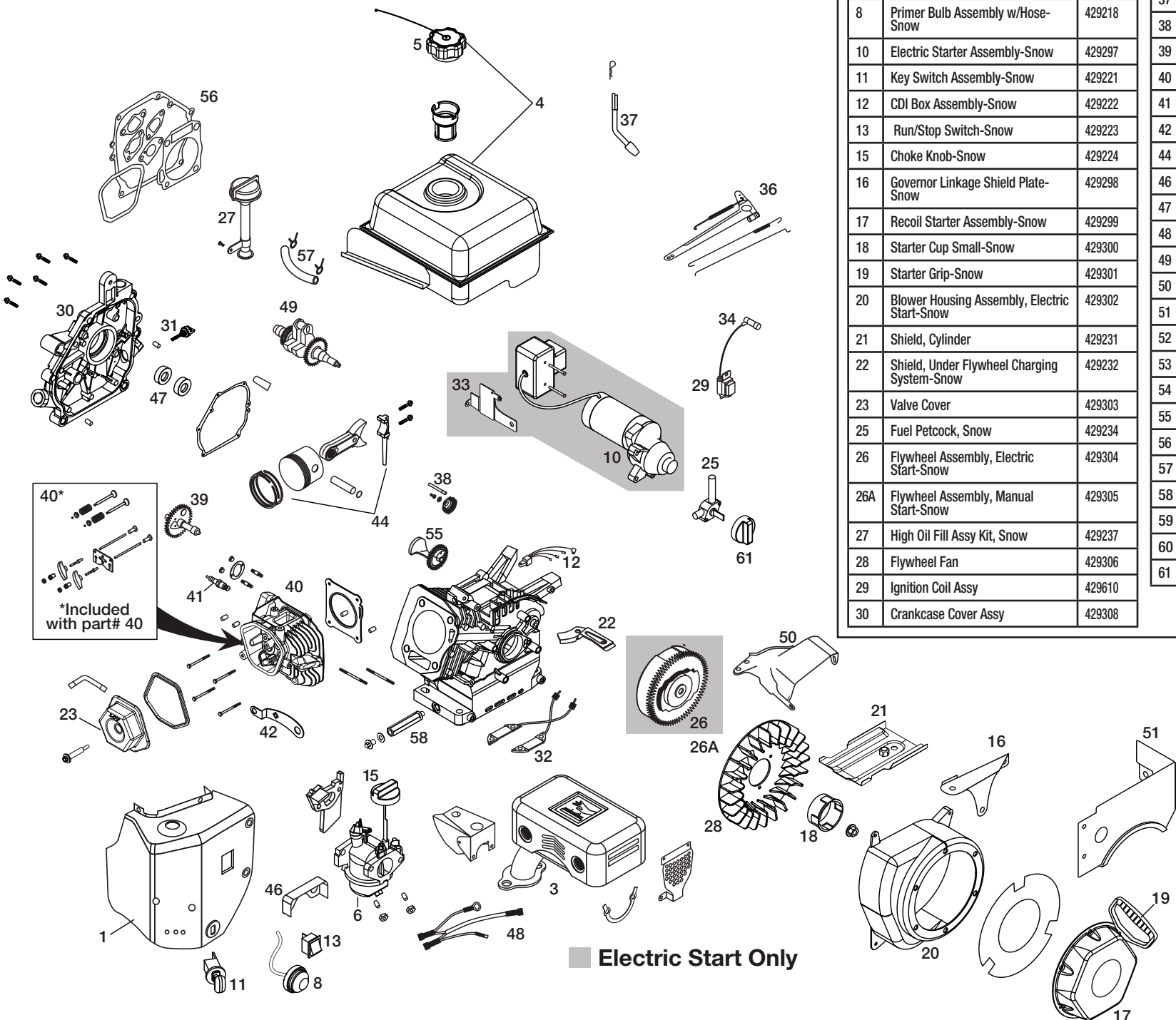
291CC SERVICE KIT BREAKDOWN		
REFERENCE #	PART DESCRIPTION	PART #
1	HEATER BOX ASSEMBLY-SNOW	532429206
3	MUFFLER ASSEMBLY-SNOW	532429208
4	FUEL TANK ASSEMBLY-SNOW	532429209
5	FUEL TANK CAP-OVERSIDED (CLICK STYLE)-SNOW	532429211
6	CARBURETOR ASSEMBLY-SNOW	532429215
7	CHOKE LEVER, CARBURETOR-SNOW (NOT SHOWN)	532429216
8	PRIMER BULB ASSEMBLY W/HOSE-SNOW	532429218
10	ELECTRIC STARTER ASSEMBLY-SNOW	532429220
11	KEY SWITCH ASSEMBLY-SNOW	532429221
12	CDI BOX ASSEMBLY-SNOW	532429222
13	ON/OFF SWITCH-SNOW	532429223
15	CHOKE KNOB-SNOW	532429224
16	GOVERNOR LINKAGE SHIELD PLATE-SNOW	532429225
17	RECOIL STARTER ASSEMBLY-SNOW (INCLUDES SCREWS)	532429226
18	STARTER CUP SMALL-SNOW	532429227
19	STARTER GRIP-SNOW	532429228
20	BLOWER HOUSING ASSEMBLY, ELECTRIC START-SNOW (INCLUDES SCREWS)	532429229
21	SHIELD, CYLINDER	532429231
22	SHIELD, UNDER FLYWHEEL CHARGING SYSTEM-SNOW	532429232
23	VALVE COVER	532429233
25	FUEL PETCOCK, SNOW	532429234
26	FLYWHEEL ASSEMBLY, ELECTRIC START-SNOW	532429288
26A	FLYWHEEL ASSEMBLY, MANUAL START-SNOW	532429289
27	HIGH OIL FILL ASSY KIT, SOW	532429237
28	FLYWHEEL FAN	532429238
29	IGNITION COIL ASSY	532429240
29A	IGNITION COIL ASSY (NOT SHOWN)	532429610
30	CRANKCASE COVER ASSY	532429241
31	NON-REMOVABLE OIL PLUG	532429242
32	CHARGING COIL AC/DC	532429243
33	ELECTRIC STARTER BRACKET	532429290
34	SPARK PLUG BOOT	532429291
36	GOVERNOR ARM ASSY	532429248
37	GOVERNOR SHAFT	532429250
38	GOVERNOR GEAR ASSEMBLY	532429292
39	CAMSHAFT	532429253
40	CYLINDER HEAD ASSY (INCLUDES BOLT AND SHAFT)	532429254
41	SPARK PLUG	532429255
42	CDI BOX BRACKET-SNOW	532429257
44	PISTON AND ROD ASSY	532429258
46	VAPOR SHIELD	532429213
47	SEAL KIT	532429611
48	WIRE HARNESS	532429284
49	CRANKSHAFT	532429285
50	TOP SHIELD	532429286
51	FUEL TANK SKIRT	532429287
56	ENGINE GASKET KIT	532429615
57	FUEL HOSE KIT	532432146
58	EXTENDED OIL DRAIN TUBE	532432687
61	FUEL KNOB-SNOW	532432752
52	ROCKER ARM KIT (INCLUDED WITH PART # 40)	532429612
53	PUSH ROD TAPPET KIT (INCLUDED WITH PART # 40)	532429613
54	CYLINDER ASSY	532429614
59	291CC MANUAL START SHORT BLOCK	532429648
60	291CC ELECTRIC START SHORT BLOCK	532429649
	291CC COMPLETE ENGINE	532428173
	REWIND DECAL	532428714
	HUSQVARNA CROWN DECAL	532428676
	RECOIL BOLT KIT	532432688
	ENGINE BOLT KIT	532432690



LIQUID COMBUSTION TECHNOLOGY

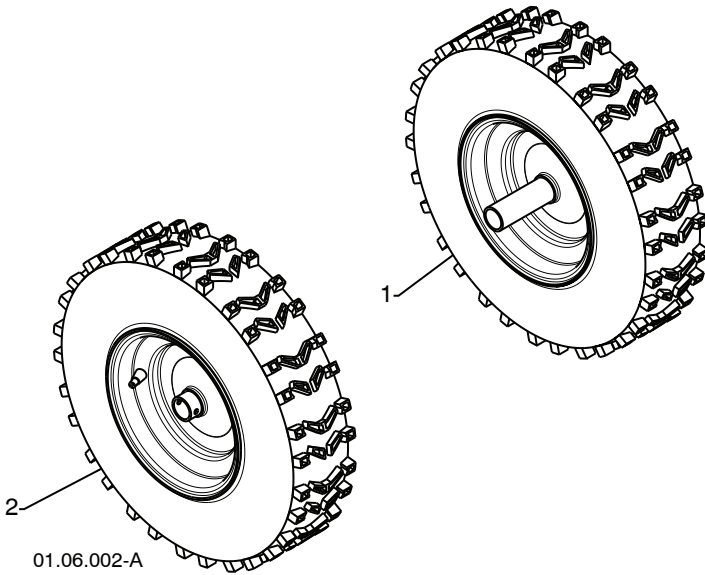
414CC SNOW ENGINE SERVICE KIT

1	Heater Box Assembly-Snow	429294	31	Non-Removable Oil Plug	429242
3	Muffler Assembly-Snow	429208	32	Charging Coil AC/DC	429243
4	Fue Tank Assembly-Snow	429209	33	Electric Starter Bracket	429290
5	Fuel Tank Cap-Oversized (Click Style)-Snow	429211	34	Spark Plug Boot	429309
6	Carburetor Assembly-Snow	429295	36	Governor Arm Assy	429310
8	Primer Bulb Assembly w/Hose-Snow	429218	37	Governor Shaft	429311
10	Electric Starter Assembly-Snow	429297	38	Governor Gear Assembly	429312
11	Key Switch Assembly-Snow	429221	39	Camshaft	429313
12	CDI Box Assembly-Snow	429222	40	Cylinder Head Assy	429605
13	Run/Stop Switch-Snow	429223	41	Spark Plug	429255
15	Choke Knob-Snow	429224	42	CDI Box Bracket-Snow	429257
16	Governor Linkage Shield Plate-Snow	429298	44	Piston And Rod Assy	429315
17	Recoil Starter Assembly-Snow	429299	46	Vapor Shield	429213
18	Starter Cup Small-Snow	429300	47	Seal Kit	429316
19	Starter Grip-Snow	429301	48	Wire Harness	429284
20	Blower Housing Assembly, Electric Start-Snow	429302	49	Crankshaft	429317
21	Shield, Cylinder	429231	50	Top Shield	429286
22	Shield, Under Flywheel Charging System-Snow	429232	51	Fuel Tank Skirt	429318
23	Valve Cover	429303	52	Rocker Arm Kit	429612
25	Fuel Petcock, Snow	429234	53	Push Rod Tappet Kit	429606
26	Flywheel Assembly, Electric Start-Snow	429304	54	Cylinder Assy	429607
26A	Flywheel Assembly, Manual Start-Snow	429305	55	Counter Weight Kit	429608
27	High Oil Fill Assy Kit, Snow	429237	56	Engine Gasket Kit	429609
28	Flywheel Fan	429306	57	Fuel Hose Kit	432146
29	Ignition Coil Assy	429610	58	Extended Oil Drain Tube	432687
30	Crankcase Cover Assy	429308	59	414cc Manual Start Short Block	429650
			60	414cc Electric Start Short Block	429651
			61	Fuel Knob-Snow	432752



40*
*Included with part# 40

■ Electric Start Only



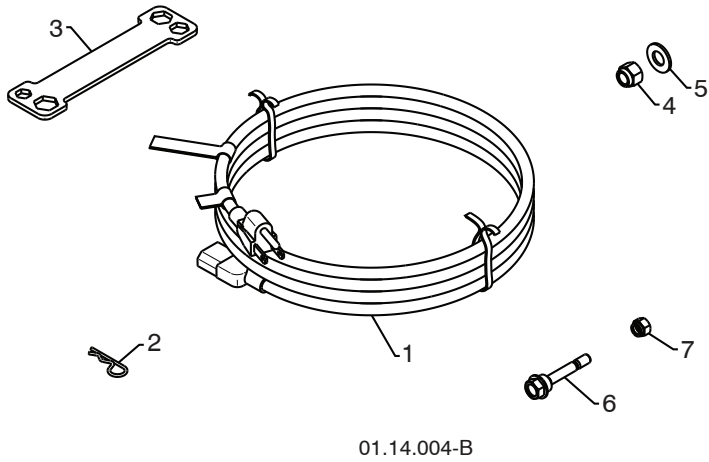
KEY NO.	PART NO.	DESCRIPTION
1	532 42 17-30	WHEEL ASSEMBLY LH
2	532 42 17-31	WHEEL ASSEMBLY RH

NOTE: All component dimensions given in U.S. inches. 1 inch = 25.4 mm
IMPORTANT: Use only Original Equipment Manufacturer (O.E.M.) replacement parts.
 Failure to do so could be hazardous, damage your snow thrower and void your warranty.

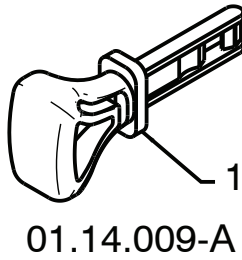
REPAIR PARTS

BAG OF PARTS

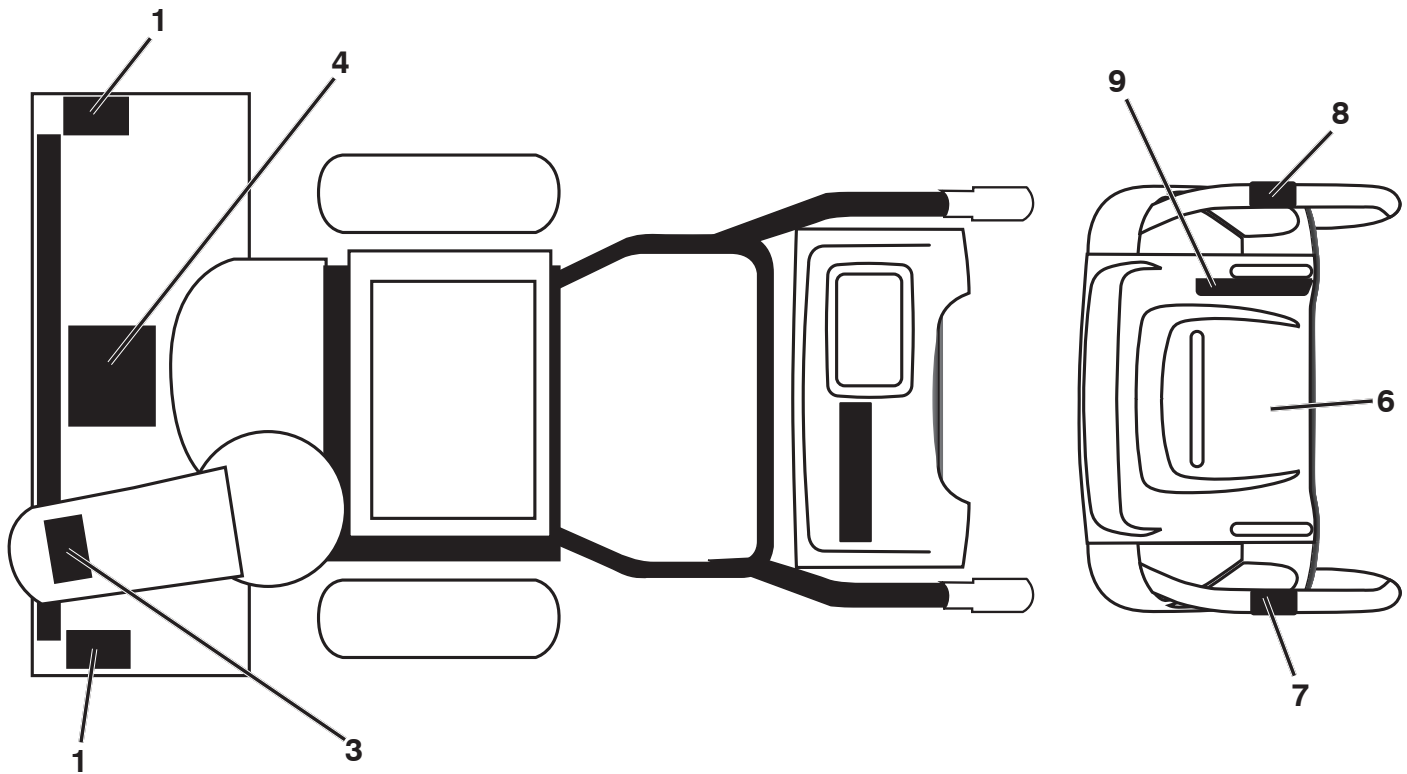
SNOW THROWER - MODEL NO. 12524SB (96193004600), PRODUCT NO. 961 93 00-46



KEY NO.	PART NO.	DESCRIPTION
1	532 19 85-63	POWER CORD
2	532 16 96-75	RETAINER PIN
3	532 42 91-12	WRENCH
4	873 80 06-00	LOCKNUT 3/8-16
5	819 13 13-16	WASHER 3/8
6	532 19 20-90	SHEAR BOLT 1/4-20 X 1-3/4
7	873 80 04-00	LOCKNUT 1/4-20



KEY NO.	PART NO.	DESCRIPTION
1	532 42 26-63	SAFETY IGNITION KEY



KEY PART NO.	PART NO.	DESCRIPTION
1	532 18 10-37	DECAL, DANGER
3	532 18 10-35	DECAL, DANGER, DEFLECTOR
4	532 18 10-42	DECAL, DANGER
6	532 18 10-33	DECAL, INSTRUCTION
7	532 41 53-91	DECAL, TRACTION LEVER
8	532 41 53-90	DECAL, AUGER LEVER
9	532 41 54-75	DECAL, SPEED CONTROL

NOTE: All component dimensions given in U.S. inches. 1 inch = 25.4 mm
IMPORTANT: Use only Original Equipment Manufacturer (O.E.M.) replacement parts.
 Failure to do so could be hazardous, damage your snow thrower and void your warranty.