



SERVICE PARTS LIST

BULLETIN NO.
54-08-1085

SPECIFY CATALOG NO. AND SERIAL NO. WHEN ORDERING PARTS		REVISED BULLETIN 54-08-1084	DATE May '84
1/2" REVERSING DRILL			
CATALOG NO. 1250-1		STARTING SERIAL NO. 459-21000	
CAT. NO. 1250-6	START SER. NO. 459-21000	BILINGUAL LABEL 10-98-6400	

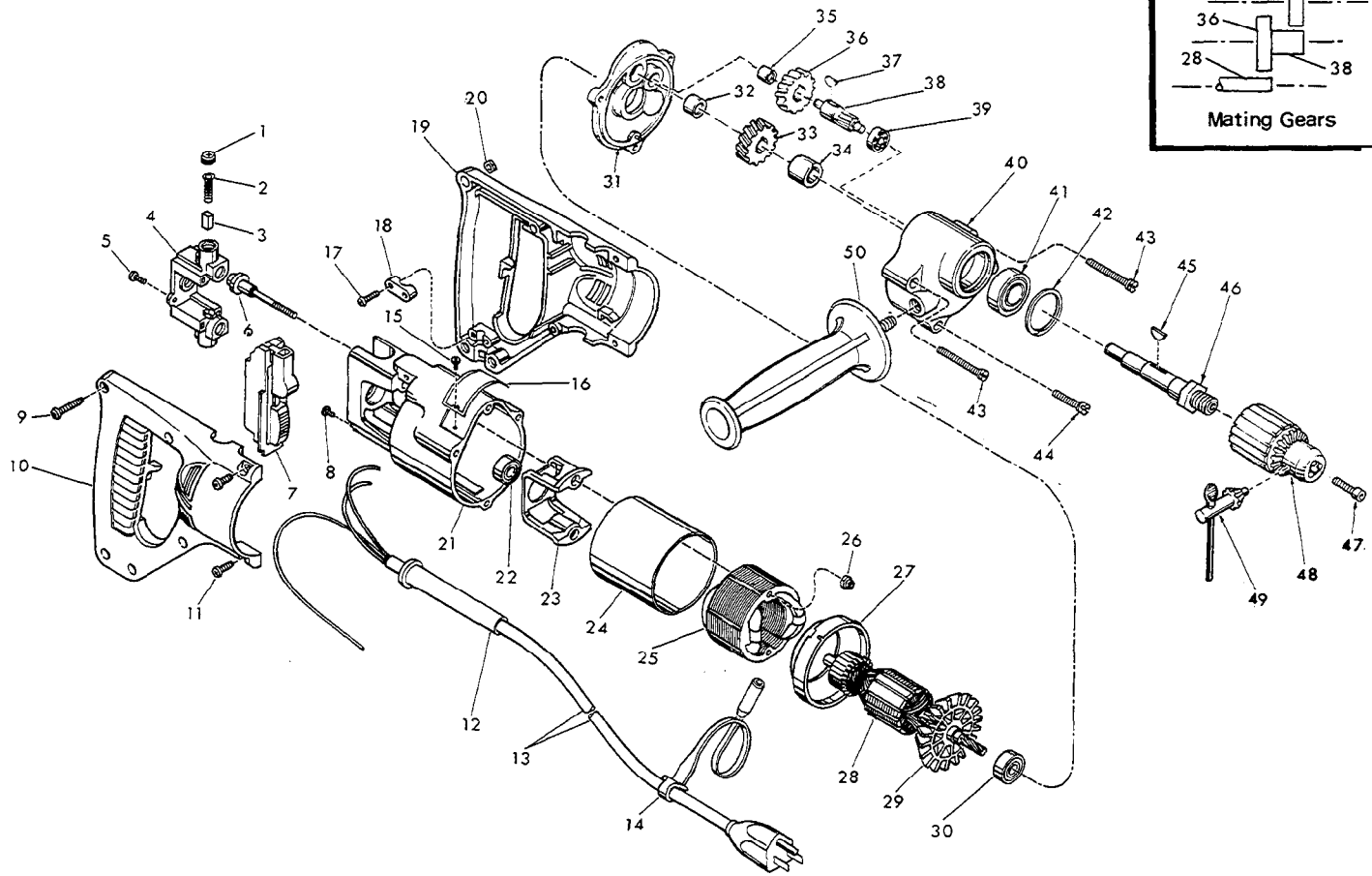
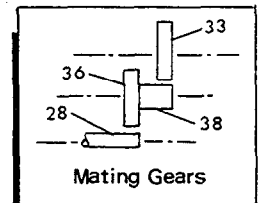


FIG.	PART NO.	DESCRIPTION OF PART	NO. REQ.	FIG.	PART NO.	DESCRIPTION OF PART	NO. REQ.
★	1	23-44-0190 Brush Retaining Screw	(2)	★	28	16-30-0225 120 V. Armature (Incl. Fig. No. 29)	(1)
	2	23-52-0160 Brush Spring	(2)		29	22-84-0530 Fan Assembly	(1)
★	3	22-16-0275 Carbon Brush	(2)	★	30	02-04-0911 Ball Bearing	(1)
★	4	22-22-1330 Brush Holder Assembly	(1)	★	31	28-28-0585 Diaphragm	(1)
★	5	06-95-0075 6-32 x 3/8 Trus Hd. Taptite Screw	(2)		32	02-50-2110 Needle Bearing	(1)
★	6	06-81-1058 Insulated Field Bolt	(2)		33	32-75-2001 Spindle Gear	(1)
	7	23-66-1020 Switch	(1)		34	45-36-0210 Spindle Gear Spacer	(1)
	8	06-95-5150 Ground Screw	(1)		35	02-50-1640 Needle Bearing	(1)
	9	06-81-0473 8-32 x 1" Pan Hd. Pozidriv Screw	(5)		36	32-40-1241 Intermediate Gear	(1)
★	10	31-44-1300 R.H. Half D. Handle	(1)		37	06-42-0800 Woodruff Key	(1)
	11	06-95-0700 8-32 x 1/2" Pan Hd. Taptite Screw	(4)		38	36-66-2701 Intermediate Shaft	(1)
★	12	44-76-0150 Cord Protector	(1)		39	02-04-0640 Ball Bearing	(1)
★	13	22-64-0155 Cord Set	(1)		40	28-14-0686 Gear Case	(1)
	14	48-66-4040 Key Holder	(1)		41	02-04-1560 Ball Bearing	(1)
	15	06-85-0200 6 x 1/4 Rd. Hd. Type Z Screw	(2)		42	34-80-2500 Retaining Ring	(1)
	16	12-99-0030 Nameplate Blank	(1)	★	43	06-95-5270 8-32 x 1-7/8 Fil. Hd. Sem	(2)
★	17	06-95-0216 8-16 x 5/8" Plastite Screw	(2)	★	44	06-95-5250 8-32 x 1-1/8 Fil. Hd. Sem	(1)
★	18	31-17-0156 Cord Clamp	(1)		45	06-42-1600 Woodruff Key	(1)
★	19	31-44-1305 L.H. Half D Handle	(1)		46	38-50-3651 Spindle	(1)
	20	06-55-0835 8-32 Hex Nut	(5)		47	06-75-3150 1/4-20 x 1 L.H. Skt. Cap Screw	(1)
★	21	28-50-6201 Motor Housing	(1)		48	48-66-1360 1/2" Chuck (Incl. Fig. 49)	(1)
★	22	02-04-0845 Ball Bearing	(1)		49	48-66-3280 Chuck Key	(1)
	23	31-55-0030 Coil Shield	(1)	★	50	43-62-0875 Side Handle	(1)
	24	23-16-0456 Field Insulator	(1)		51	10-98-5987 Warning Label (Not Shown)	
	25	18-30-0100 120 V. Field	(1)			Omit For Canadian Tools	
	26	06-57-2975 8-32 Flexlock Hex Nut	(2)				
	27	31-05-0050 Baffle	(1)				