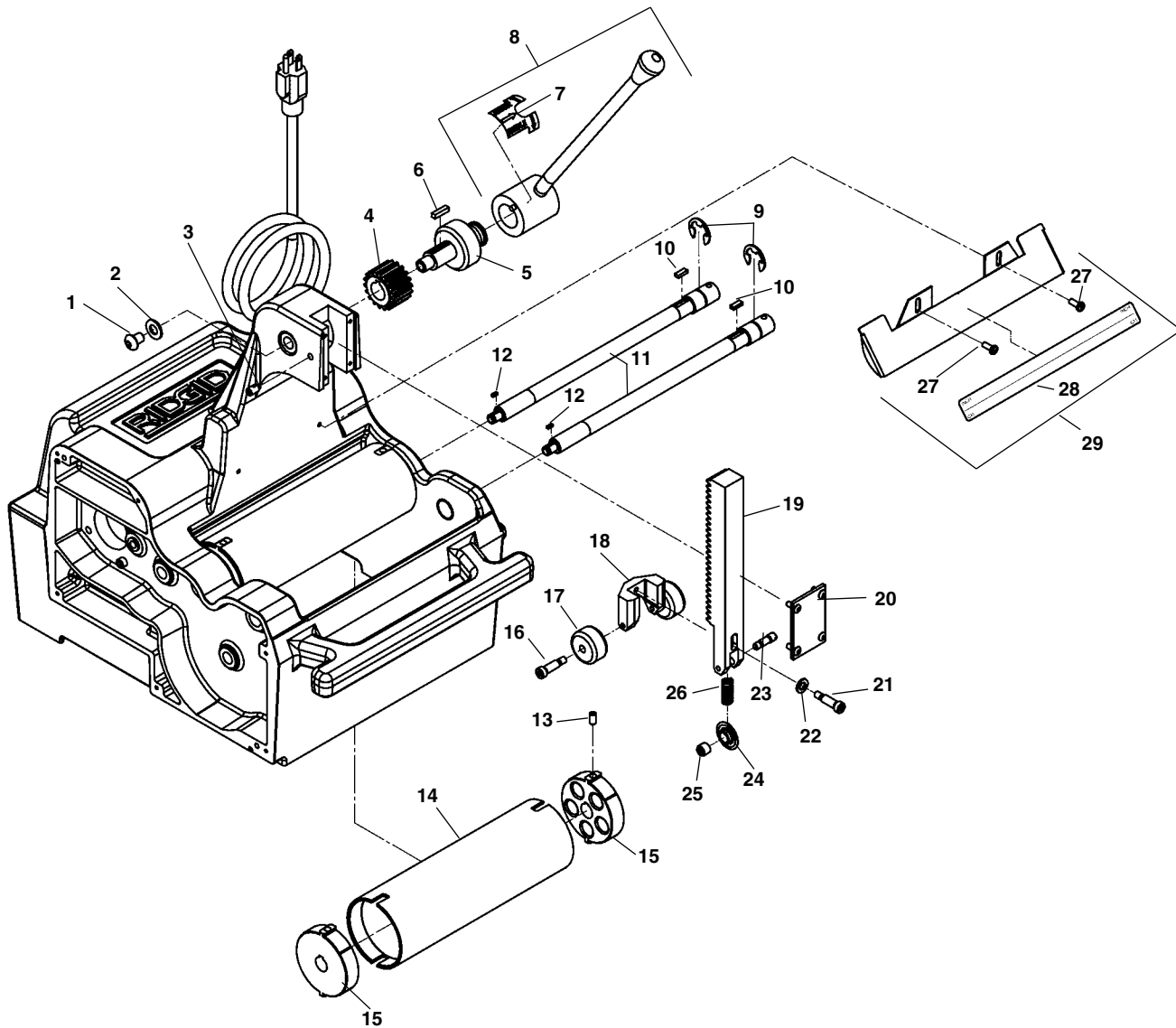


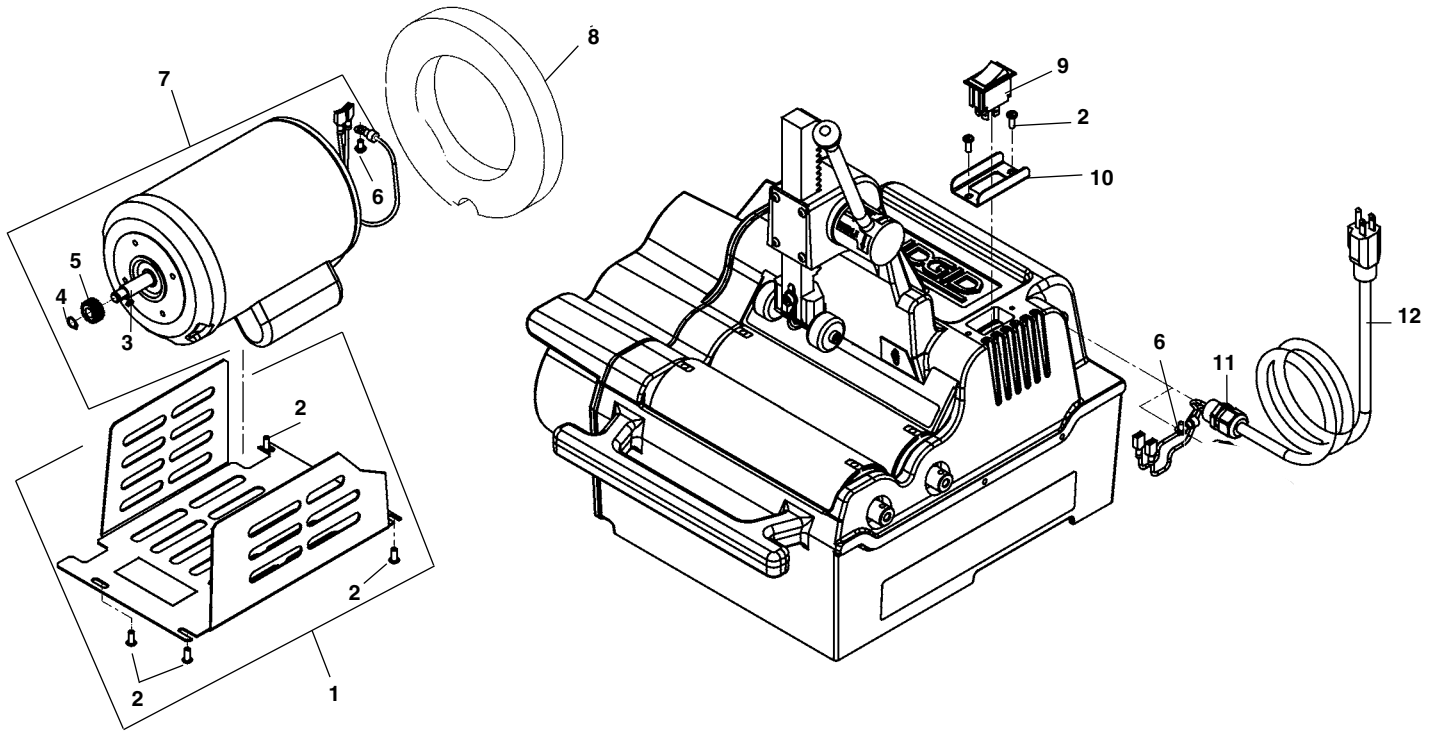
Main Components



**NOTE: Order parts by Catalog Number only.
DO NOT order by Reference Number.**

Ref. No.	Catalog No.	Description	Ref. No.	Catalog No.	Description
1	94872	Screw, Button Head 3/16" - 16 x 1/2"	16	94922	Shoulder Screw 5/16" x 3/4"
2	26307	Washer	17	94927	Roller, Cutter Wheel
3	94877	Screw, Nylon 5/16" - 18 x 1/2"	18	94932	Slide
4	94882	Gear, Arbor	19	13163	Arbor
5	94887	Shaft, Arbor	20	94947	Cover
6	94892	Key, Square 3/16" x 3/4"	21	94922	Shoulder Screw 5/16" x 3/4"
7	14393	Indexing Handle Decal	22	94952	Washer
8	94897	Handle, Feed	23	10343	Stainless Steel Wheel Screw
9	58850	Retaining Ring	24	33551	Cutter Wheel
10	13153	Key 1/8" x 3/16" x 1/2"	25	13193	Bearing, Cutter Wheel
11	14208	Roller Shaft (2)	26	94942	Spring
12	94787	Key 3/32" x 1/4"	27	45275	Screw (2)
13	34892	Screw 1/4" - 20	28	10393	Scale
14	13143	Roller Tube 3" (2)	29	10388	Roller Guard
15	13148	Roller End Cap			

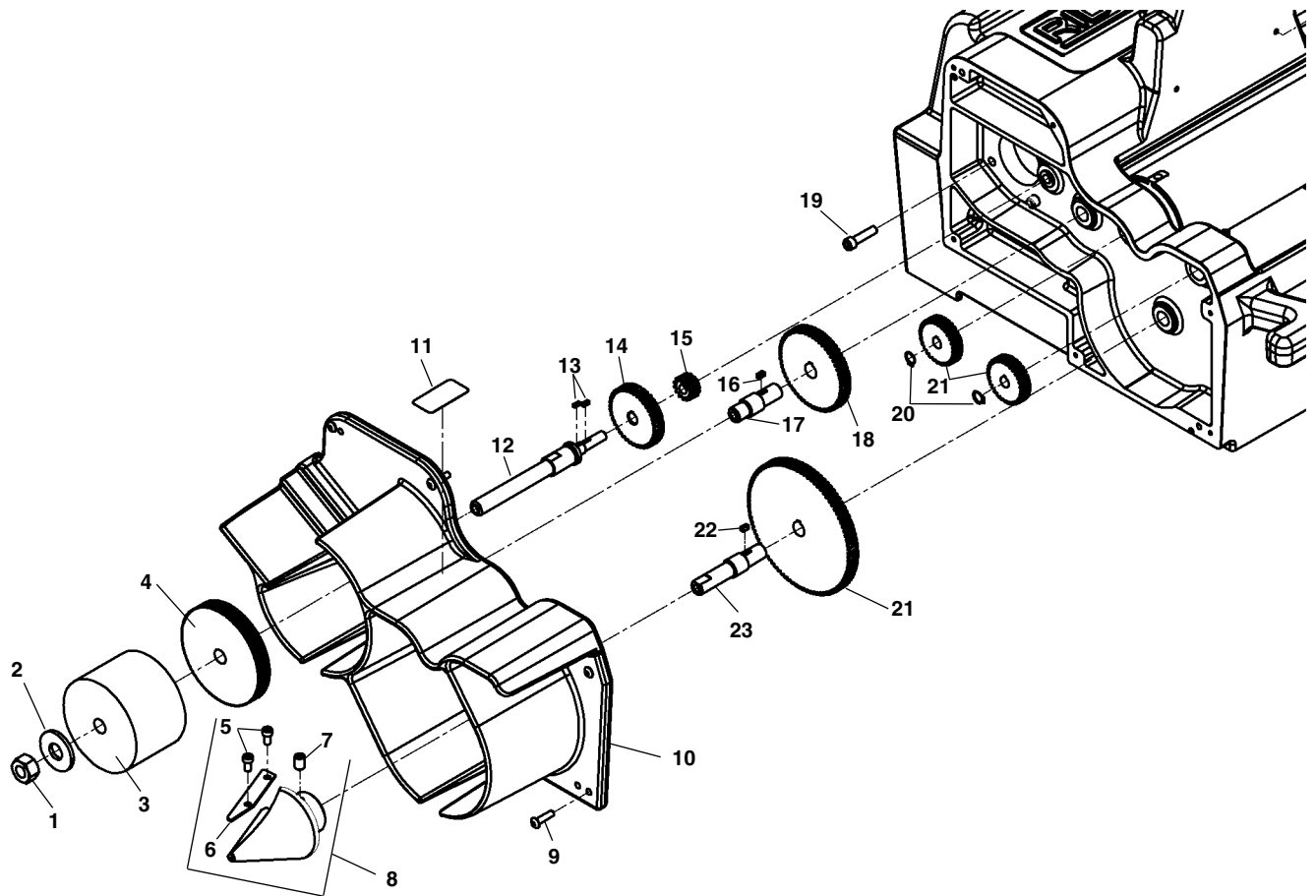
Electrical



**NOTE: Order parts by Catalog Number only.
DO NOT order by Reference Number.**

Ref. No.	Catalog No.	Description
1	13168	Motor Cover (Inc. Ref. 2)
2	94752	Screw 10 - 24
3	94787	Key 3/32" x 1/4"
4	94822	Retaining Ring
5	94847	Pinion Gear
6	94852	Screw w/Washer 10 - 24
7	94842	Motor 1/3 Hp 115V
8	94667	Motor Baffle
9	87402	Switch
10	10408	Switch Guard
11	69107	Strain Relief
12	69327	Power Cord 115V

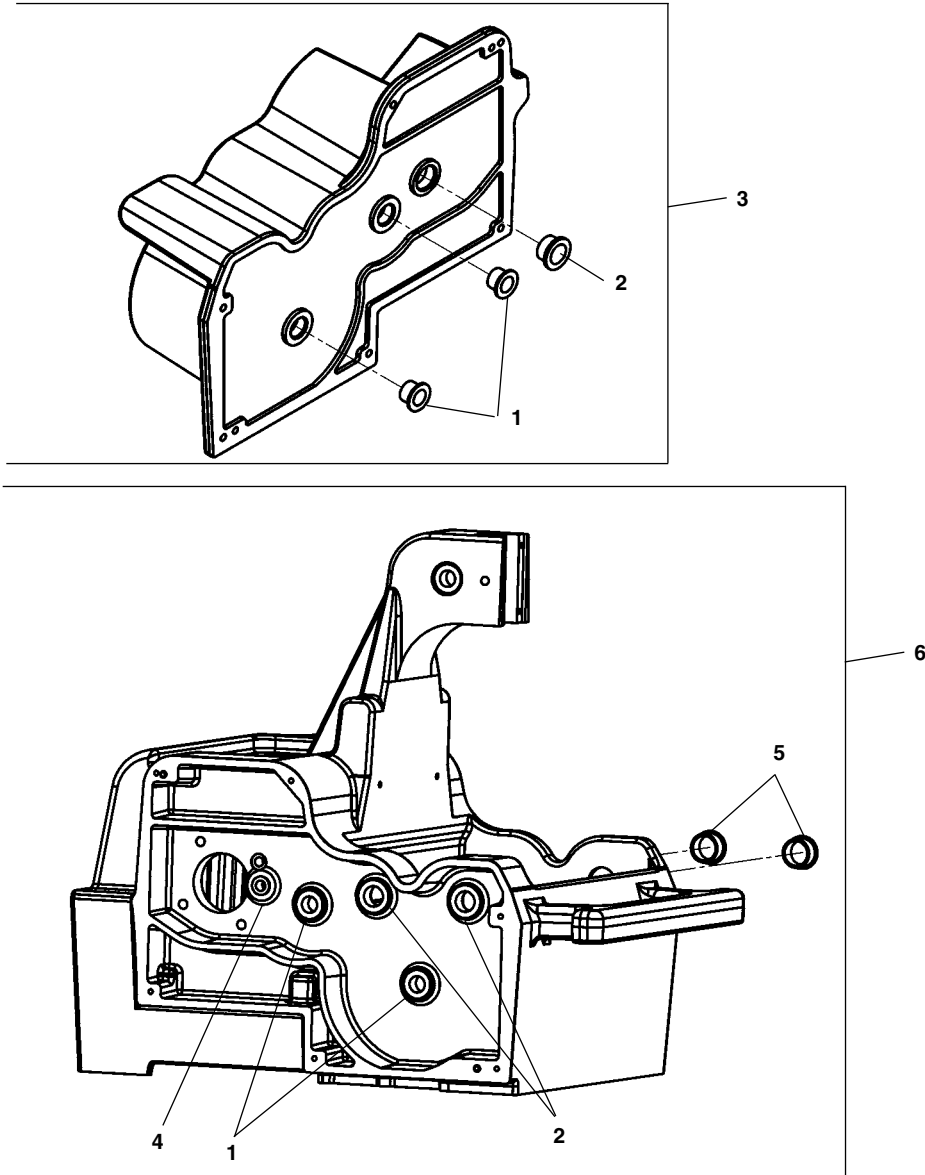
Gearbox



**NOTE: Order parts by Catalog Number only.
DO NOT order by Reference Number.**

Ref. No.	Catalog No.	Description	Ref. No.	Catalog No.	Description
1	94662	Hex Nut	13	94787	Key $\frac{3}{32}$ " x $\frac{1}{4}$ " (4)
2	83420	Washer	14	94792	Gear Brush
3	42295	External Brush	15	94797	Gear Reduction
4	46105	Deburring Disc	16	94807	Key $\frac{1}{8}$ " x $\frac{1}{4}$ "
5	94697	Screw 10" - 32 x $\frac{3}{8}$ "	17	94802	Shaft
6	94692	Reamer Blade	18	94812	Gear, Reamer
7	94702	Set Screw $\frac{5}{16}$ " - 18 x 1"	19	94837	Screw $\frac{1}{4}$ " - 20 x 1
8	94687	Reamer Cone Assembly	20	94822	Retaining Ring (3)
9	94752	Screw 10" - 24 x $\frac{3}{4}$ "	21	13178	Reamer Gear 4"
10	13183	Gear Cover w/Shelf	22	94807	Key $\frac{1}{8}$ " x $\frac{1}{4}$ "
11	94867	Warning Decal Reamer	23	94817	Shaft Reamer
12	94782	Shaft, Brush			

Gear Cover



**NOTE: Order parts by Catalog Number only.
DO NOT order by Reference Number.**

Ref. No.	Catalog No.	Description
1	94642	Flange 1/2" x 5/8" x 1/2" (7)
2	94652	Flange 5/8" x 3/4" x 1/2" (3)
3	13183	Gear Cover w/Shelf
4	94657	Flange 5/16" x 7/16" x 1/2"
5	14143	Flange 3/4" x 7/8" x 1/2"
6	13138	122XL Frame (Inc. Ref. 1,2,4,5)

Wiring Diagram

115V – 60Hz
100V – 50/60Hz
(220 – 240V/50Hz)

