

Electro-Brush - 0 601 213 739 - 1 213

www.powertools-aftersaleservice.com

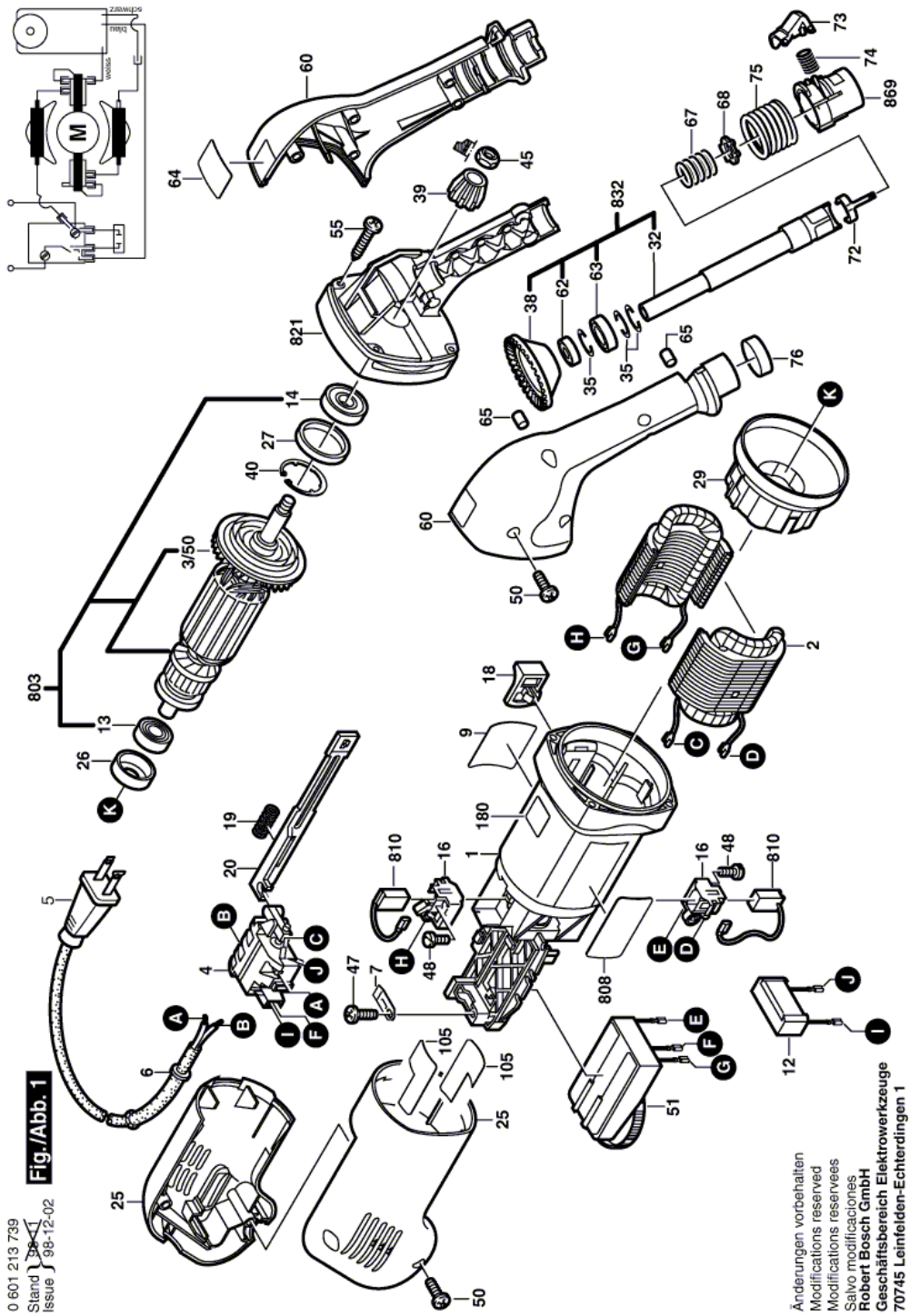


BOSCH

Item	Part Number	Description	Illustration	Price	Quantity	Price Group
	1 1 605 108 213	Motor Housing BLUE	1	-,-	1	22
	2 1 604 220 311	Field 100-120V	1	-,-	1	34
3/50	1 606 610 129	Fan	1	-,-	1	12
	4 1 607 200 137	Switch	1	-,-	1	24
	5 2 604 460 188	Power supply cord USA/CDN 2,68m 2 x 0,82mm SJ 18/2	1	-,-	1	26
	6 2 600 703 013	Grommet Ø7,6-Ø8,2x95 MM	1	-,-	1	13
	7 1 601 302 017	Fastening Clamp	1	-,-	1	10
	9 1 601 118 791	Manufacturer's nameplate	1	-,-	1	15
	12 1 607 328 042	Suppression Filter	1	-,-	1	19
	13 2 600 905 032	Deep-Groove Ball Bearing 7x19x6	1	-,-	1	17
	14 1 600 905 016	Deep-Groove Ball Bearing 8x22x7	1	-,-	1	21
	16 1 601 323 025	Brush Holder	1	-,-	2	15
	18 1 602 026 057	Switch Handle BLACK	1	-,-	1	11
	19 1 604 611 026	Compression Spring	1	-,-	1	10
	20 1 602 319 010	Adjusting Slide BLACK	1	-,-	1	11
	25 1 605 190 144	Housing Cover BLUE	1	-,-	1	24
	26 1 600 502 023	Intermediate Ring	1	-,-	1	12
	27 1 600 206 025	Rubber Ring	1	-,-	1	12
	29 1 600 591 025	Air-Deflector Ring	1	-,-	1	13
	32 2 603 020 028	Drive Shaft	1	-,-	1	38
	35 2 600 101 088	Shim 0,2 MM	1	-,-	1	11
	35 2 600 101 089	Shim 0,3 MM	1	-,-	1	11
	35 2 600 101 090	Shim 0,4 MM	1	-,-	1	11
	35 2 600 101 091	Shim 0,5 MM	1	-,-	1	11
	38 2 606 100 064	Crown Gear Z=36	1	-,-	1	26
	39 2 606 333 034	Pinion Z=10	1	-,-	1	23
	40 1 600 119 011	Spring retaining ring	1	-,-	1	11
	45 1 603 300 016	Hex Nut M7, SW10	1	-,-	1	11
	47 2 912 401 018	Tapping Screw DIN7981-ST3,9x13-C-Z	1	-,-	1	10
	48 2 912 401 005	Tapping Screw DIN7981-ST2,9x9,5C-Z	1	-,-	2	10
	50 1 603 435 061	Tapping Screw TORX-T20	1	-,-	8	12
	51 1 607 233 129	Speed governor 120V	1	-,-	1	38
	55 1 603 435 062	Thread-forming tap. Screw	1	-,-	4	12

Item	Part Number	Description	Illustration	Price	Quantity	Price Group
60	1 605 132 133	Housing Section BLUE	1	-,-	1	30
62	1 900 905 160	Deep-Groove Ball Bearing 6000-2 RSY DIN 625	1	-,-	1	32
63	1 900 905 121	Deep-Groove Ball Bearing 12x28x8	1	-,-	1	25
64	1 601 118 792	Warning Plate	1	-,-	1	15
65	2 603 100 056	Rubber Buffer	1	-,-	2	11
67	2 604 616 009	Compression Spring	1	-,-	1	10
68	2 600 190 089	Conical Spring Washer	1	-,-	1	14
72	2 601 290 022	Holding Spring	1	-,-	1	11
73	2 602 319 016	Switch Slide RED	1	-,-	1	11
74	2 604 611 046	Compression Spring	1	-,-	1	11
75	2 604 615 013	Compression Spring	1	-,-	1	10
76	2 600 290 038	Clamping Ring	1	-,-	1	11
105	1 601 008 006	Insulating Plate	1	-,-	2	14
180	2 610 968 156	Warning Plate	1	-,-	1	15
803	1 604 010 642	Armature With Fan 115-120V	1	-,-	1	42
808	1 601 106 032	Nameplate 26x52 MM	1	-,-	1	13
810	1 607 014 176	Carbon-Brush Set	1	-,-	1	25
821	1 605 806 485	Gear Housing	1	-,-	1	34
832	1 607 000 861	Drive Shaft	1	-,-	1	40
869	2 600 499 053	Actuating Element	1	-,-	1	18

Illustration - Type E



Information subject to change without further notice.