

0 601 209 103

Issue Stand } 11-03-11

Fig./Abb. 1

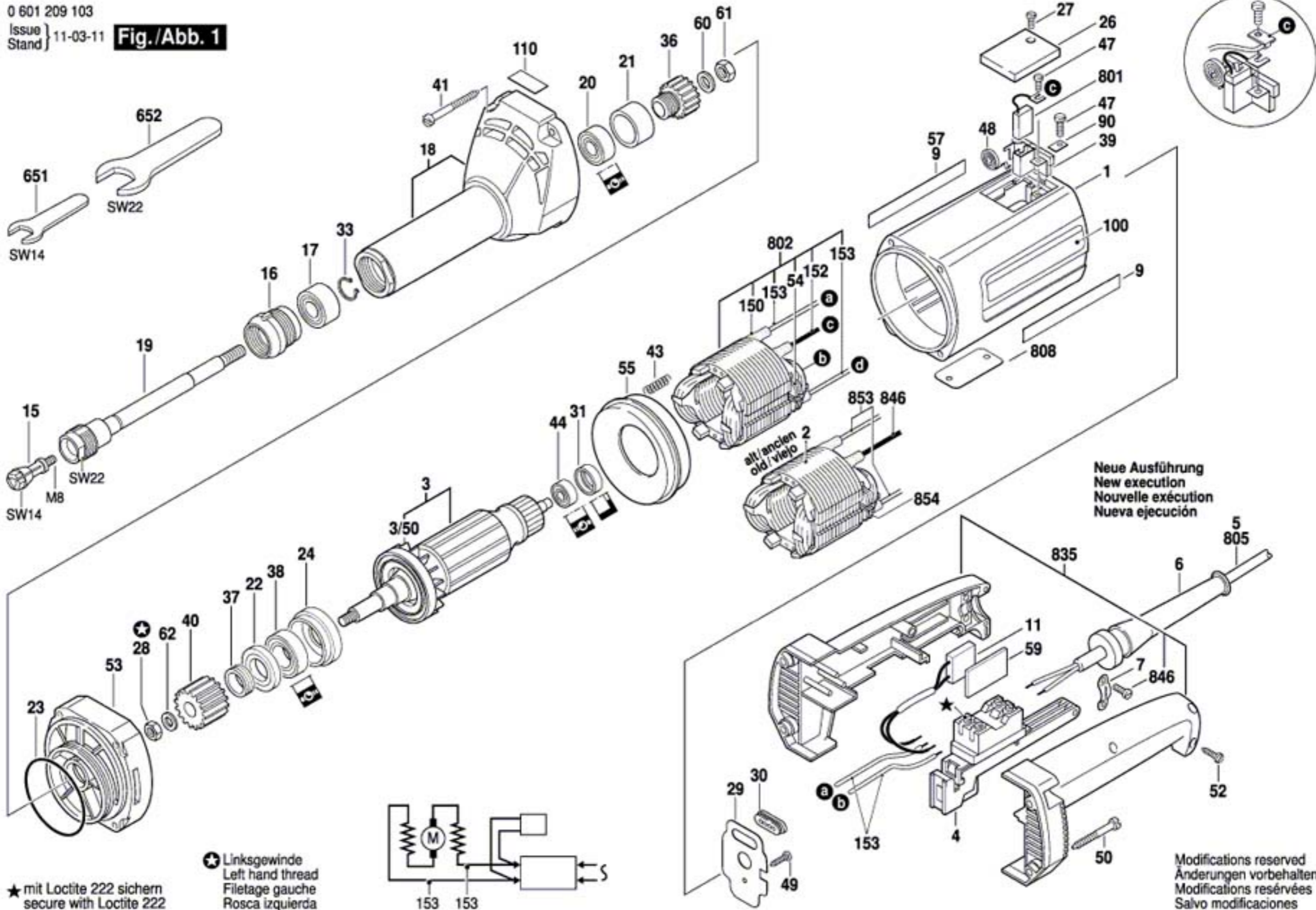


Fig. /Abb. 2

