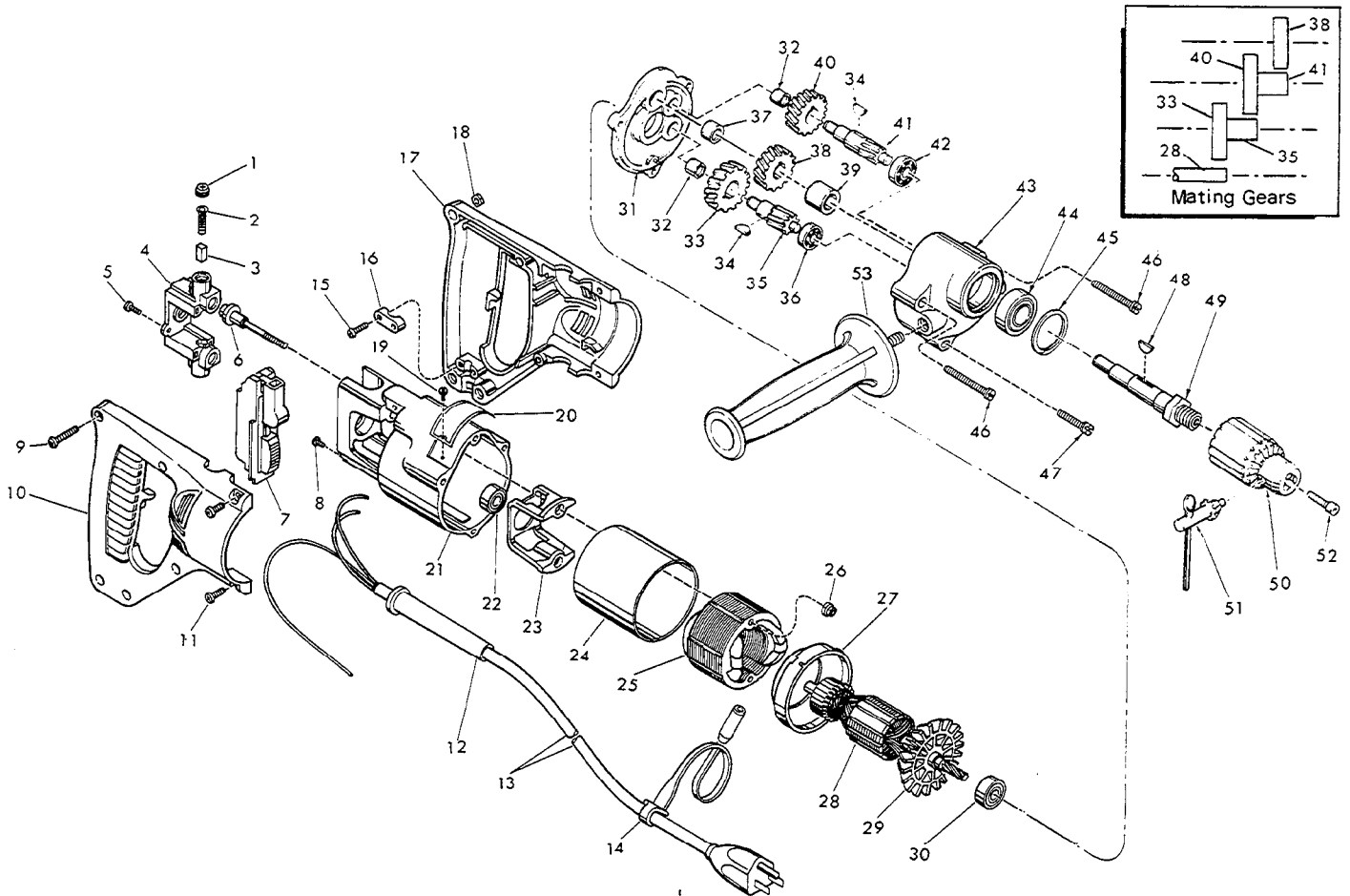




SERVICE PARTS LIST

BULLETIN NO.
54-08-2066

| | | | |
|--|-------------------------------|----------------------------------|----------|
| SPECIFY CATALOG NO. AND SERIAL NO. WHEN ORDERING PARTS | | REVISED BULLETIN | DATE |
| 1/2" REVERSING DRILL | | 54-08-2065 | Oct. '84 |
| CATALOG NO. 1201-1 | STARTING SERIAL NO. 495-55000 | WIRING INSTRUCTION 58-01-0243 | |
| CAT. NO. 1201-6 | START SER. NO. 495-55000 | BILINGUAL LABEL 10-98-6400 | |



| FIG. | PART NO. | DESCRIPTION OF PART | NO. REQ. |
|------|------------|-------------------------------------|----------|
| ★ 1 | 23-44-0190 | Brush Retaining Screw | (2) |
| ★ 2 | 23-52-0160 | Brush Spring | (2) |
| 3 | 22-16-0275 | Carbon Brush | (2) |
| ★ 4 | 22-22-1330 | Brush Holder Assembly | (1) |
| ★ 5 | 06-95-0075 | 6-32 x 3/8 Trus Hd. Taptite Screw | (2) |
| ★ 6 | 06-81-1058 | Insulated Field Bolt | (2) |
| 7 | 23-66-1020 | Switch | (1) |
| 8 | 06-95-5150 | Ground Screw | (1) |
| 9 | 06-81-0473 | 8-32 x 1" Pan Hd. Pozidriv Screw | (5) |
| ★ 10 | 31-44-1300 | R.H. Half D Handle | (1) |
| 11 | 06-95-0700 | 8-32 x 1/2" Pan Hd. Taptite Screw | (4) |
| ★ 12 | 44-76-0150 | Cord Protector | (1) |
| ★ 13 | 22-64-0155 | Cord Set | (1) |
| 14 | 48-66-4040 | Key Holder | (1) |
| ★ 15 | 06-95-0216 | 8-16 x 5/8" Plastite Screw | (2) |
| ★ 16 | 31-17-0156 | Cord Clamp | (1) |
| ★ 17 | 31-44-1305 | L.H. Half D Handle | (1) |
| 18 | 06-55-0835 | 8-32 Hex Nut | (5) |
| 19 | 06-85-0200 | Nameplate Screw | (2) |
| 20 | 12-99-0030 | Nameplate | (1) |
| ★ 21 | 28-50-6201 | Motor Housing | (1) |
| ★ 22 | 02-04-0845 | Ball Bearing | (1) |
| 23 | 31-55-0030 | Coil Shield | (1) |
| 24 | 23-16-0456 | Field Insulator | (1) |
| 25 | 18-30-0200 | 120 V. Field | (1) |
| 26 | 06-57-2975 | 8-32 Flexlock Hex Nut | (2) |
| 27 | 31-05-0050 | Baffle | (1) |
| ★ 28 | 16-30-0325 | 120 V. Armature (Incl. Fig. No. 29) | (1) |
| 29 | 22-84-0530 | Fan Assembly | (1) |

| FIG. | PART NO. | DESCRIPTION OF PART | NO. REQ. |
|------|------------|--|----------|
| ★ 30 | 02-04-0911 | Ball Bearing | (1) |
| ★ 31 | 28-28-0665 | Diaphragm | (1) |
| 32 | 02-50-1640 | Needle Bearing | (2) |
| 33 | 32-40-1241 | Intermediate Gear | (1) |
| 34 | 06-42-0800 | Woodruff Key | (2) |
| 35 | 36-66-2801 | Intermediate Shaft | (1) |
| 36 | 02-04-0640 | Ball Bearing | (1) |
| 37 | 02-50-2110 | Needle Bearing | (1) |
| 38 | 32-75-2641 | Spindle Gear | (1) |
| 39 | 45-36-0210 | Spindle Gear Spacer | (1) |
| 40 | 32-75-2041 | Spindle Gear | (1) |
| 41 | 36-66-3951 | Intermediate Shaft | (1) |
| 42 | 02-04-0820 | Ball Bearing | (1) |
| 43 | 28-14-0691 | Gear Case | (1) |
| 44 | 02-04-1560 | Ball Bearing | (1) |
| 45 | 34-80-2500 | Retaining Ring | (1) |
| ★ 46 | 06-95-5270 | 8-32 x 1-7/8" Fil. Hd. Sem | (2) |
| ★ 47 | 06-95-5250 | 8-32x1-1/8 Fil. Hd. Sem | (1) |
| 48 | 06-42-1600 | Woodruff Key | (1) |
| 49 | 38-50-3651 | Spindle | (1) |
| 50 | 48-66-1360 | 1/2" Chuck (Incl. Fig. No. 51) | (1) |
| 51 | 48-66-3280 | Chuck Key | (1) |
| 52 | 06-75-3150 | 1/4-20 x 1 L.H. Skt. Hd. Cap Screw | (1) |
| ★ 53 | 43-62-0875 | Side Handle | (1) |
| 54 | 10-98-5987 | Warning Label (Not Shown) Omit For Canadian Tools | (1) |