



SERVICE PARTS LIST

BUL. 54-08-2203

1/2" ELECTRIC DRILL

REVISED BUL
54-08-2203

DATE
Aug. '72

Catalog No. 1200

Starting
Serial No. **54-14985**

WIRING INSTR.
58-01-0170

Both Model and Serial No. must be furnished to obtain correct parts.

320 R.P.M.

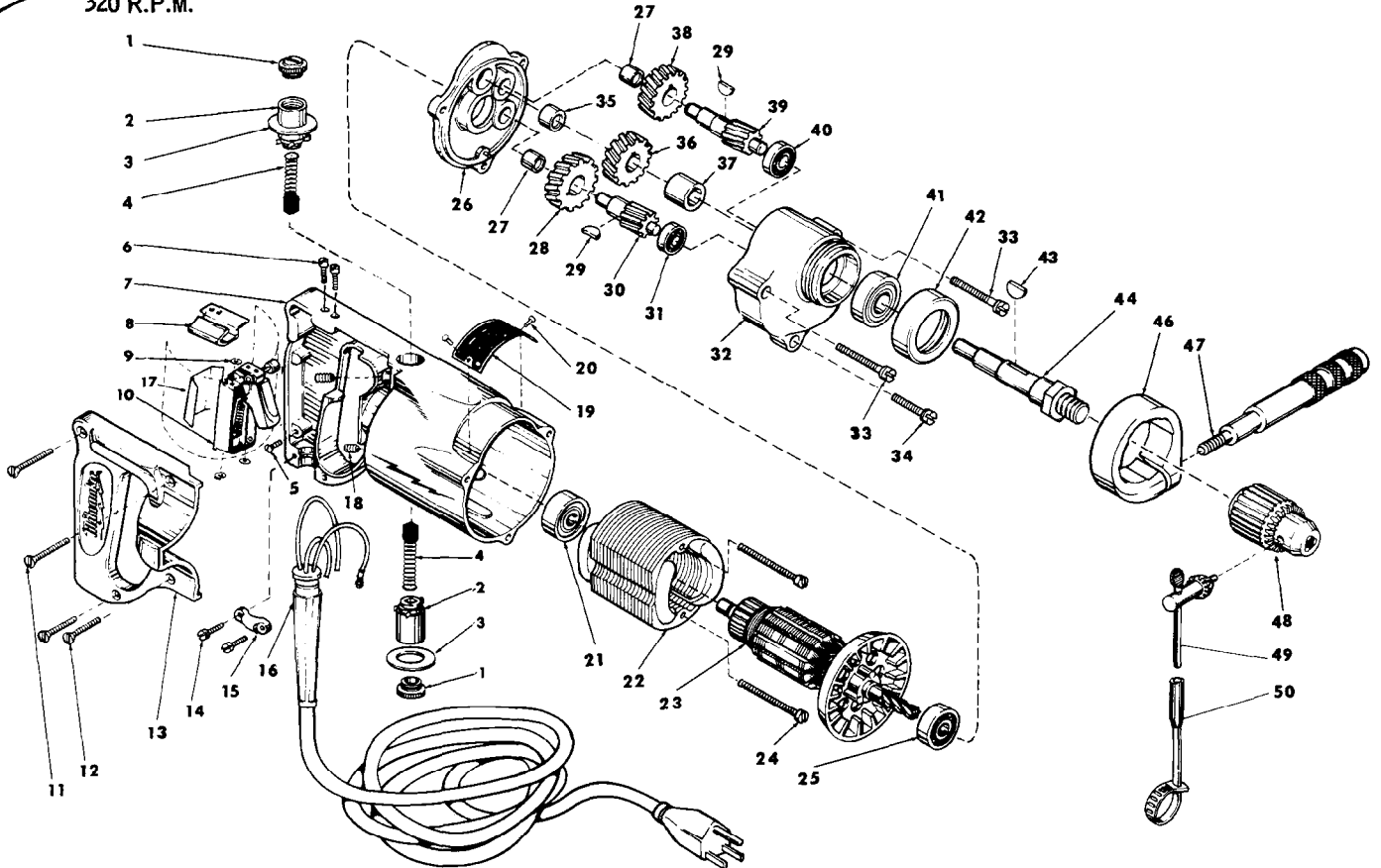


FIG.	PART NO.	DESCRIPTION OF PART	NO.REQ.	FIG.	PART NO.	DESCRIPTION OF PART	NO.REQ.
	1	Brush Retaining Screw	(2)	26	28-28-0661	Diaphragm	
	2	Brush Holder	(2)	27	02-50-1640	Needle Bearing	(2)
	3	Brush Holder Washer	(2)	28	32-40-1241	Intermediate Gear	
	4	Carbon Brush		29	06-42-0800	Woodruff Key	(2)
	5	6-32x1/4 Ground Screw		30	36-66-2801	Intermediate Shaft	
	6	6-32x5/16 Fil.Hd.Sem	(2)	31	02-04-0640	Ball Bearing	
	7	Motor Housing (Includes Fig. Nos. 11, 12 and 13)		32	28-14-1261	Gear Case	
★	8	Wire Clamp		33	06-81-6650	8-32x1-3/4 Fil. Hd. Sem	(2)
	9	Lock Washer	(4)	34	06-81-6350	8-32x1 Fil. Hd. Sem	
	10	Switch		35	02-50-2110	Needle Bearing	
	11	8-32x1 Oval Hd. Screw	(2)	36	32-75-2641	Spindle Gear	
	12	8-32x7/8 Oval Hd. Screw	(2)	37	45-36-0210	Spindle Gear Spacer	
★	13	Handle Cover		38	32-75-2041	Spindle Gear	
	14	8-32x1/2 Fil Hd. Sem	(2)	39	36-66-3951	Intermediate Shaft	
	15	Clamp Strap		40	02-04-0820	Ball Bearing	
	16	Cord Set		41	02-04-1560	Ball Bearing	
★	17	Switch Insulator		42	42-52-0071	Bearing Cap	
	18	1/4-20x3/8 Knr l. Set Screw	(2)	43	06-42-1600	Woodruff Key	
★	19	Nameplate		★	44	38-50-3601	Spindle
★	20	6x1/4 Rd. Hd. Type Z Screw	(2)	★	45	49-15-0200	Handle Assy. (Includes Fig. Nos. 46 & 47)
	21	Ball Bearing		★	46	28-82-0130	Handle Ring
★	22	115 V. Field		47	43-62-0160	Side Handle	
	23	115 V. Armature		48	48-66-1280	Chuck	
	24	8-32x1-3/4 Fil. Hd. Sem	(2)	49	48-66-3280	Chuck Key	
	25	Ball Bearing		50	48-66-4040	Key Holder	