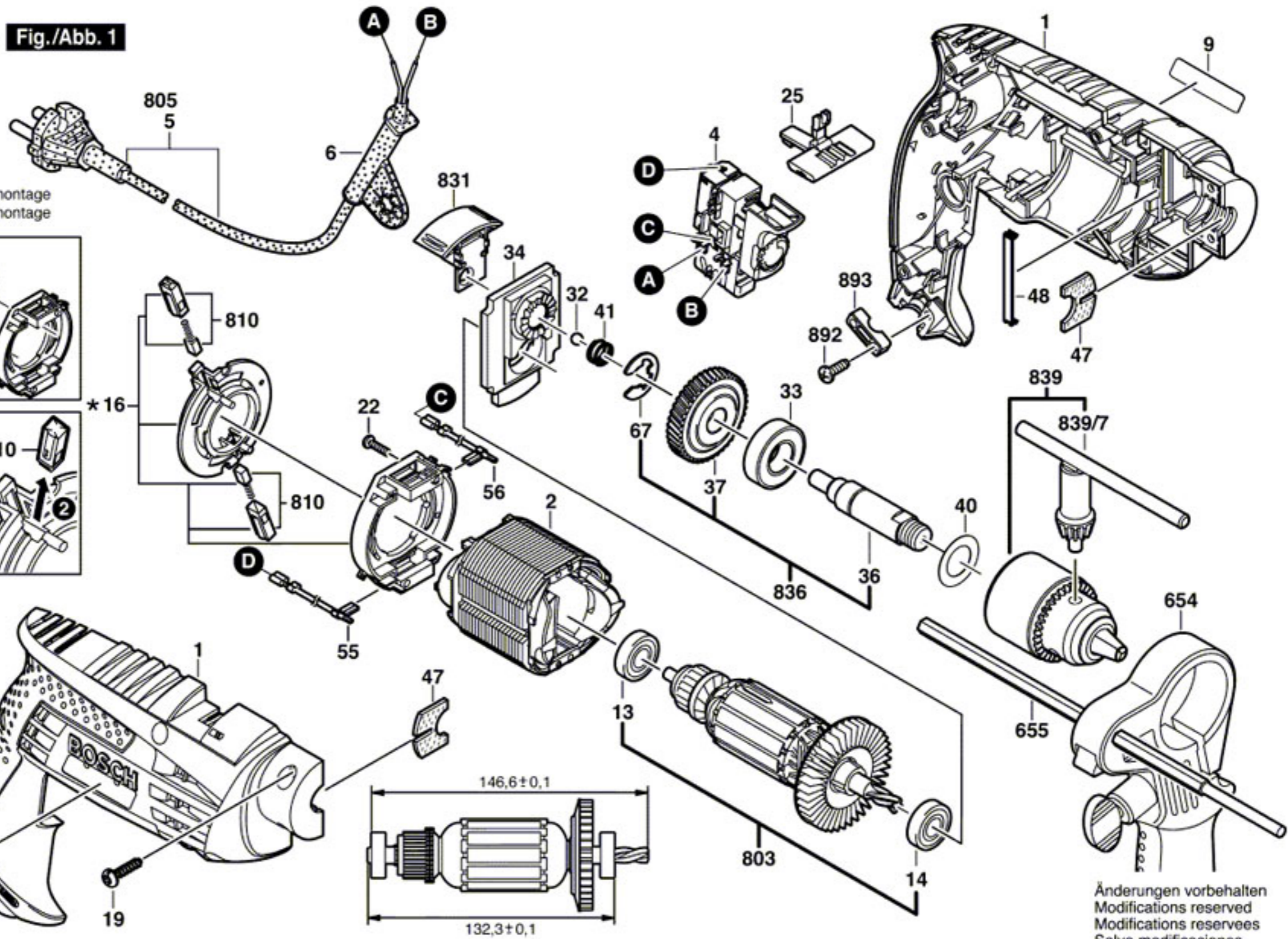
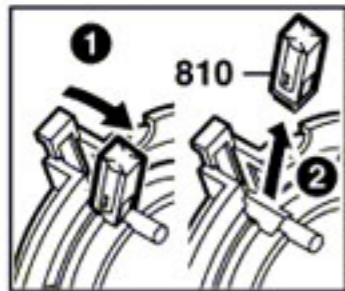
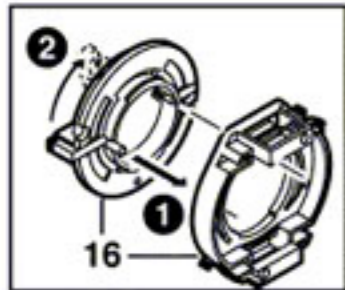


Fig./Abb. 1

* Montage
assembly
position de montage
position de montage



Änderungen vorbehalten
Modifications reserved
Modifications reserves
Salvo modificaciones