



BOSCH

Diamond Drilling Machine

1188 EVSD | 0 601 188 739

Table of Content

Spare parts list.....	2
Illustration - Type.....	6

Spare parts list

Item	Part Number	Description	Illustration
3/50	3 606 610 002	Fan	1
4	3 607 200 084	Switch	1
4/10	2 910 011 082	Socket head cap screw DIN 84-AM3,5x6-5.8	1
5	3 604 460 100	Power supply cord USA/CDN 5m	1
6	3 600 703 011	Grommet Ø9,2-Ø12x120 MM	1
7	1 601 302 013	Fastening Clamp	1
9	2 610 994 187	Sticker SUNNY SIDE	1
9/1	2 610 994 190	Reference Plate SHADOW SIDE	1
9/3	2 610 994 199	Reference Plate	1
13	2 600 905 032	Ball Bearing 7x19x6	1
14	3 600 905 131	groove ball bearing 9x26x8	1
16	3 604 336 012	Brush Holder	1
17	1 607 233 127	Speed governor 100-120V	1
18	3 600 460 006	Segmented Ring	1
19	3 605 500 153	Cover	1
20	1 603 435 061	Tapping Screw TORX-T20	1
21	1 604 613 006	Compression Spring	1
23	3 605 500 063	Sealing cap BLUE	1
24	2 910 211 019	Tapping Screw DIN 7971-ST3,9x16-F	1
25	2 910 021 118	Socket head cap screw DIN 84-AM4x8-8.8	1
26	1 600 502 011	Intermediate Ring	1
28	3 606 135 005	Drilling Spindle	1
29	3 600 283 042	Rotary shaft lip seal 17X32X7	1
30	1 600 300 090	Intermediate Ring	1
32	3 605 500 156	Bearing cover	1
33	2 910 211 018	Tapping Screw DIN 7971-ST3,9x13-F	1
34	3 600 499 016	Air-Deflector Ring	1
35	3 601 025 003	Wire Guide	1
36	3 603 435 024	Lens Head Screw	1
38	3 604 652 001	Spiral Spring	1
39	2 910 211 239	Tapping Screw DIN 79-4,8x45-C-ST	1
40	3 604 411 040	Thread-forming tap. Screw	1
44	3 604 438 031	Connecting Cable	1
45	3 604 414 049	Earth Conductor L=415 MM	1
47	1 604 477 001	Blade terminal	1

Spare parts list

Item	Part Number	Description	Illustration
48	3 603 231 008	Rotary Knob	1
50	2 917 550 099	Straight Pin DIN 6325-4m6x20	1
51	1 903 230 013	Ball DIN 5401-Ø7MM-III-ST	1
52	2 600 910 001	Needle-Roller Bearing Ø14 MM	1
54	1 600 910 018	Needle bearing Ø8xØ12x8 MM	1
55	1 600 100 617	Shim 0,5 MM THICK	1
57	3 600 100 083	Shim	1
59	1 610 910 088	Needle bearing	1
61	3 606 317 047	Cylindrical Gear Z=34	1
62	3 606 317 048	Cylindrical Gear Z=45	1
63	3 602 317 037	Wedge	1
64	3 604 610 048	Compression Spring	1
65	3 601 015 009	Seal	1
66	3 600 101 051	Carrier	1
67	3 602 317 050	Guide Key	1
68	3 604 610 049	Compression Spring	1
69	2 917 800 032	Coiled Spring Pin DIN 7343-4x2	1
71	2 917 500 121	Straight Pin 5 H 8x18 DIN 7	1
72	1 900 900 273	groove ball bearing 6003 Y DIN 625	1
73	2 916 650 008	Spring retaining ring DIN 471 17x1 MM	1
77	2 600 590 006	Ratchet Cap	1
87	3 600 210 028	O-Ring 6,0x2,0 MM	1
88	3 600 210 115	O-Ring 12,5x2,5 MM	1
92	3 600 707 022	Shrinkable Tube	1
93	3 600 400 028	Spacer Sleeve	1
94	3 600 400 025	Plain Washer	1
95	3 600 400 026	Spacer Sleeve	1
96	3 603 414 022	Socket head cap screw M4x103 MM	1
97	3 601 016 003	Contact Sheet	1
98	3 603 100 033	Bolt	1
99	2 916 031 006	Toothed lock washer	1
100	3 603 100 034	Threaded Insert	1
101	3 602 319 041	Socket-Terminal Strip 1x1,5 MM	1
102	3 601 119 070	Reference Plate	1
801	3 605 108 181	Motor Housing BLUE	1

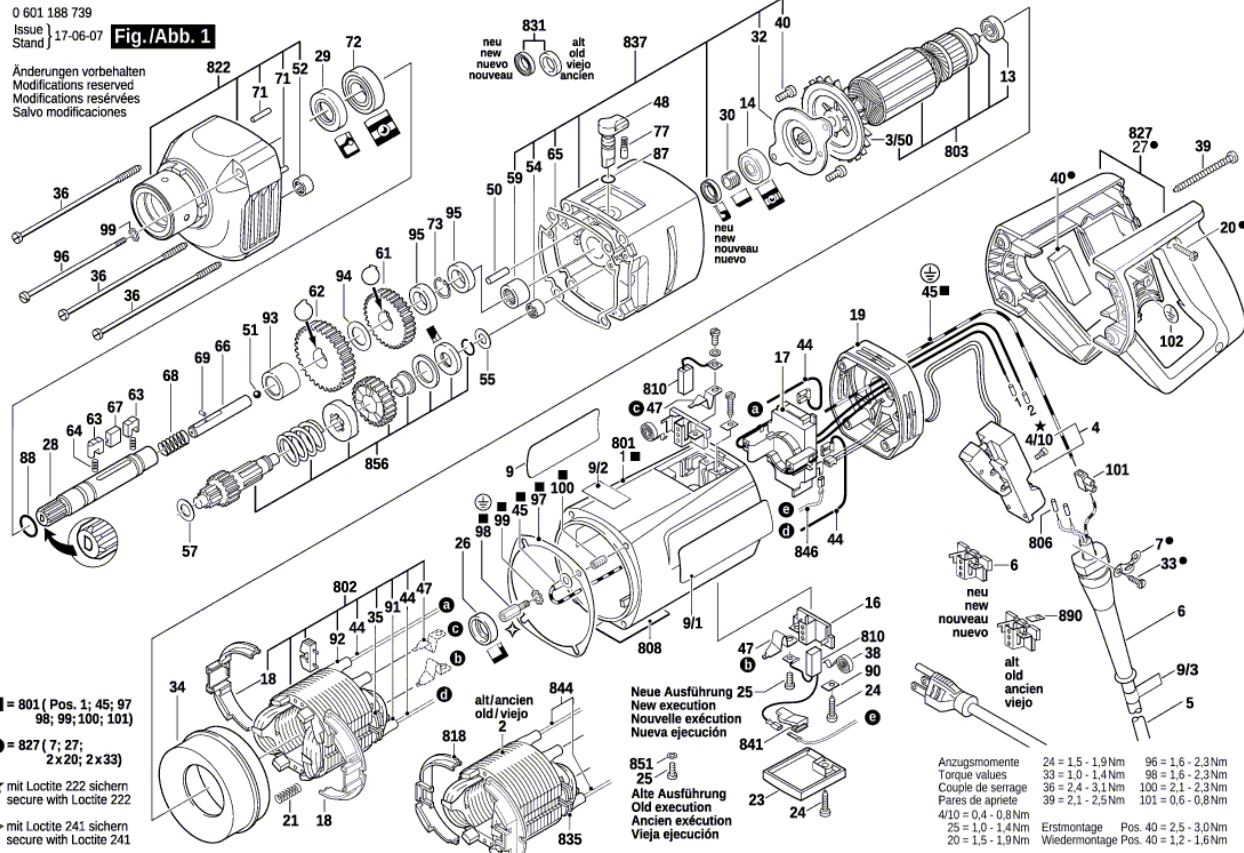
Spare parts list

Item	Part Number	Description			Illustration
802	3 604 220 108	Field	110-120V		1
803	3 604 010 090	Armature	110-120V		1
806	3 604 477 009	End Splice			1
808	1 601 11A 3H7	Nameplate			1
810	3 607 014 005	Carbon-Brush Set			1
818	3 600 460 005	Segmented Ring			1
822	3 605 806 184	Spindle Bearing			1
827	3 605 133 022	Handle			1
831	3 600 290 070	Rotary shaft lip seal			1
837	3 607 030 438	Intermediate Bearing			1
841	3 602 329 036	Holding Plate			1
844	3 604 438 017	Connecting Cable	L=330 MM	GRAY	1
846	3 604 441 010	Connecting Cable	L=170 MM	WHITE	1
851	2 916 060 005	Spring Washer	DIN 137-A 4-ST		1
856	3 606 309 054	Spur Wheel Clutch			1
890	1 601 030 022	Tab Washer			1
201	3 605 500 152	Protective Cap			2
202	3 600 224 046	Retaining ring			2
204	3 600 400 023	Sleeve			2
205	3 600 100 079	Retaining Washer			2
206	3 600 905 114	groove ball bearing	30x47x9		2
207	3 606 319 029	Carrier			2
208	3 603 130 005	Hollow Shaft	SDS-DI		2
209	3 604 610 155	Compression Spring			2
212	2 916 650 017	Spring retaining ring	DIN 471 30x1,5 MM		2
213	3 600 224 050	Retaining ring			2
214	3 600 109 013	Sealing disk			2
215	3 604 610 053	Compression Spring			2
216	3 600 300 056	Stop Ring			2
217	3 600 113 021	Driver Disc			2
218	3 600 224 051	Retaining ring			2
219	3 600 224 047	Retaining ring			2
220	3 600 283 044	Seal Ring			2
221	3 600 190 021	Supporting Disc			2
224	3 603 100 037	Retaining Pin			2

Spare parts list

Item	Part Number	Description	Illustration
225	3 605 102 083	Housing	2
226	3 603 386 046	Suction Connector	2
227	3 600 400 027	Clamping Sleeve	2
228	3 600 210 112	O-Ring 25,0x2,65 MM	2
235	2 917 550 077	Straight Pin DIN 6325-3M6x12	2
236	3 603 386 057	Self-locking nut M5	2
238	3 600 224 056	Spring retaining ring	2
240	3 600 300 057	Retaining snap ring	2
651	3 602 025 014	Auxiliary Handle M14 BLACK	2
654	1 615 438 373	Carrying Case	2
715	2 608 598 112	Lengthening Piece SDS-DI, L=300 MM	2
725/1	2 609 390 318	Extractor Head SDS-DI	2
726	0 601 190 026	Drill Stand	2
759	2 609 390 315	Sharpening Stone	2
760	1 609 202 230	Air Hose Ø 35 MM, L=5 M	2
761	0 601 989 139	All Purpose Vacuum Clean	2
811	3 603 349 003	Star Knob	2
820/03	3 602 319 043	Fastener	2
823	3 600 300 055	Clamp Bushing	2

Illustration - Type - E



Subject to technical alterations. No liability is accepted for printing errors |12 September 2023

Illustration - Type - E

