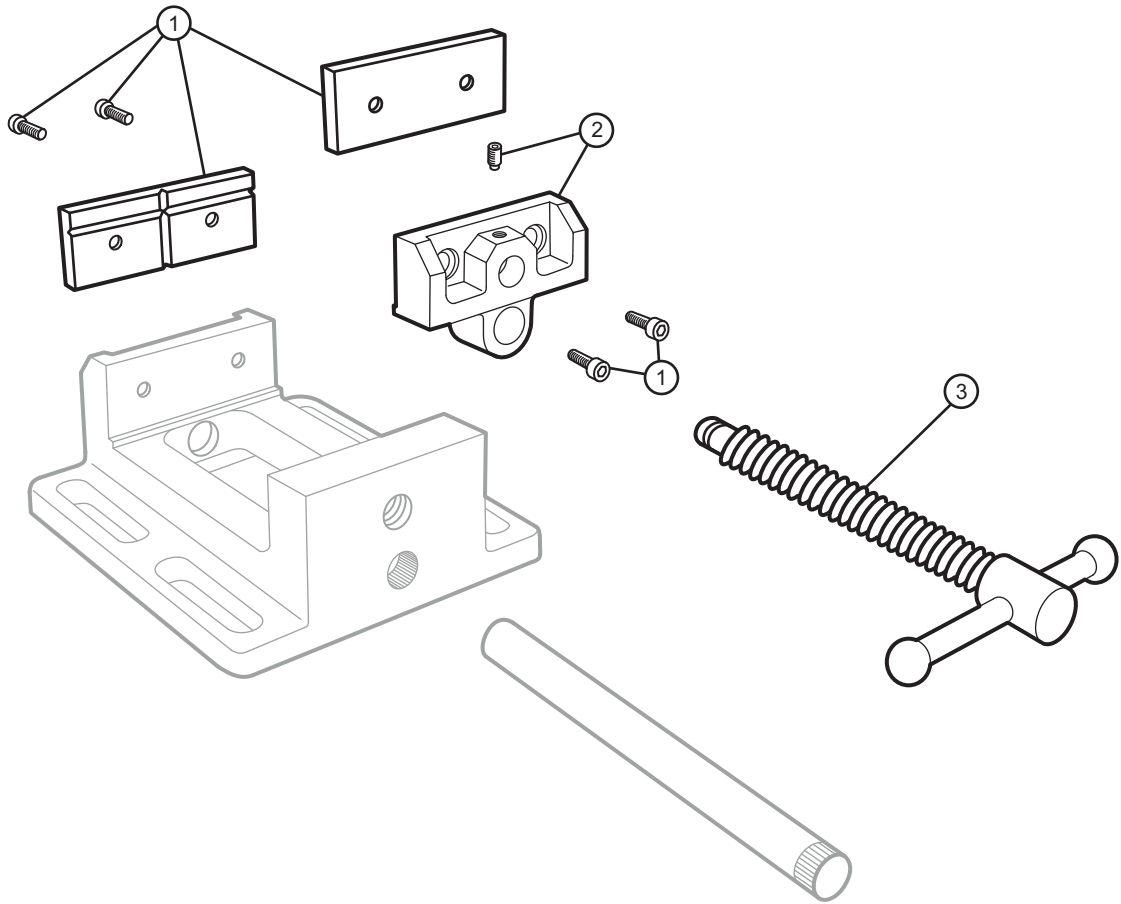




### 3" Low Profile Drill Press Vise - Parts Diagram

3" Jaw Width, 3" Jaw Opening, 1-1/8" Jaw Depth

Stock #: 11743 Model #: LP3



#	Part	Description
1	11743-01	Jaw Insert Assembly (4 screws)
2	11743-02	Movable Jaw & Screw
3	11743-03	Spindle & Handle Assembly