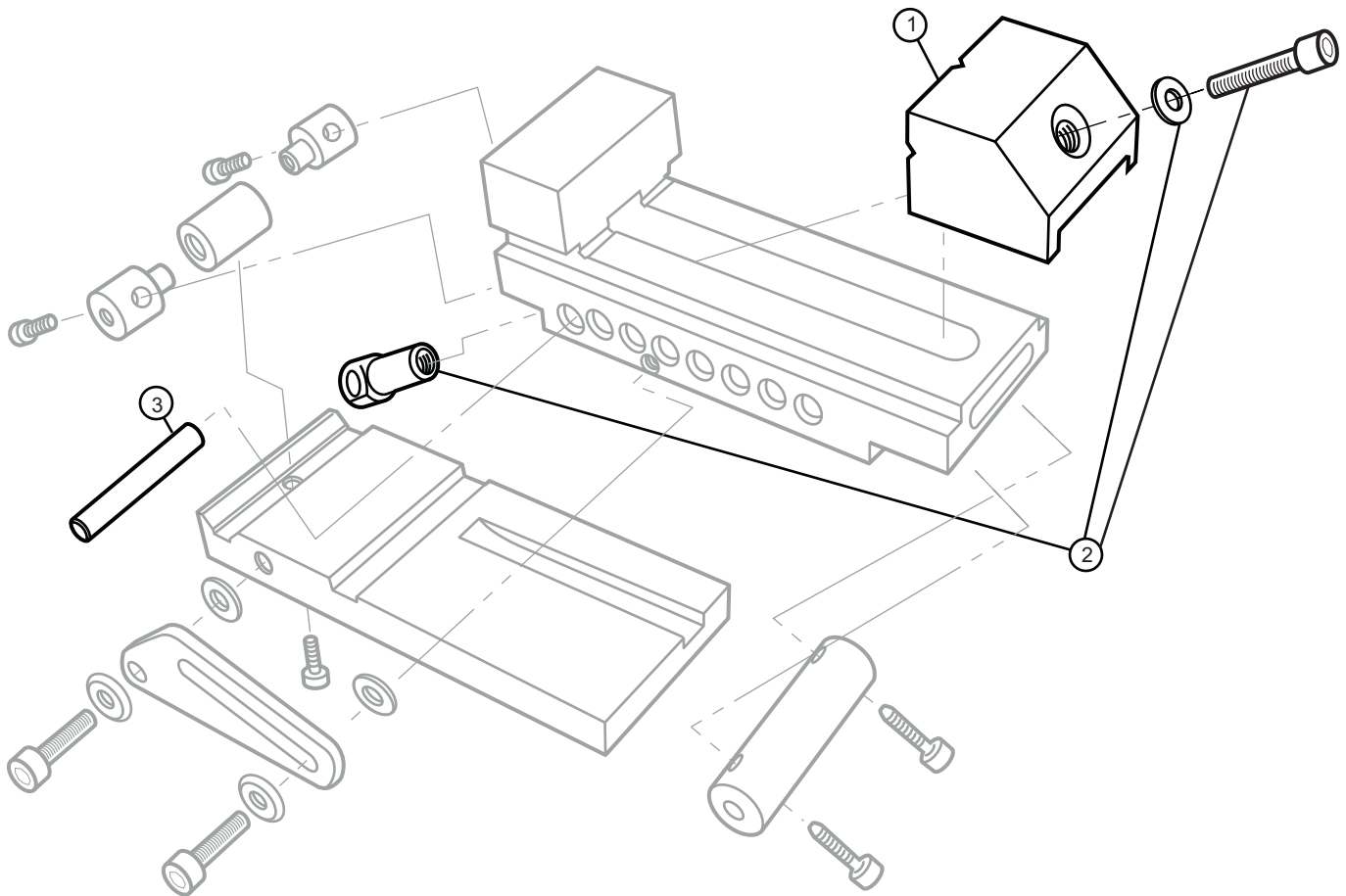


WILTON[®] walter meier

Super Precision Sine Vise Parts Diagram
2-3/4" Jaw Width, 3-7/16" Jaw Opening, 1-3/8" Jaw Depth
Stock #: 11717 Model #: SNV/6



| # | Part | Description |
|---|----------|------------------|
| 1 | 11717-01 | Movable Jaw |
| 2 | 11717-02 | Pull Down Barrel |
| 3 | 11717-03 | Pin |