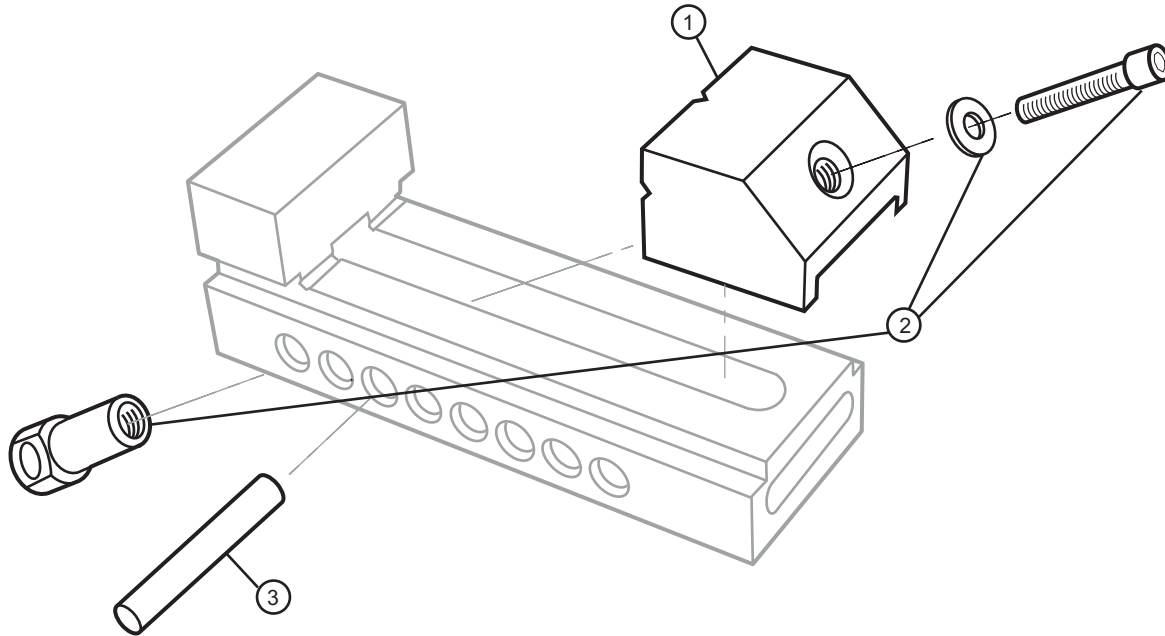




Super Precision Tool Makers Screwless Vise Parts Diagram

3" Jaw Width, 3-3/4" Jaw Opening, 1-3/8" Jaw Depth

Stock #: 11715 Model #: TMV/23



#	Part	Description
1	11715-01	Movable Jaw
2	11715-02	Pull Down Barrel
3	11715-03	Pin