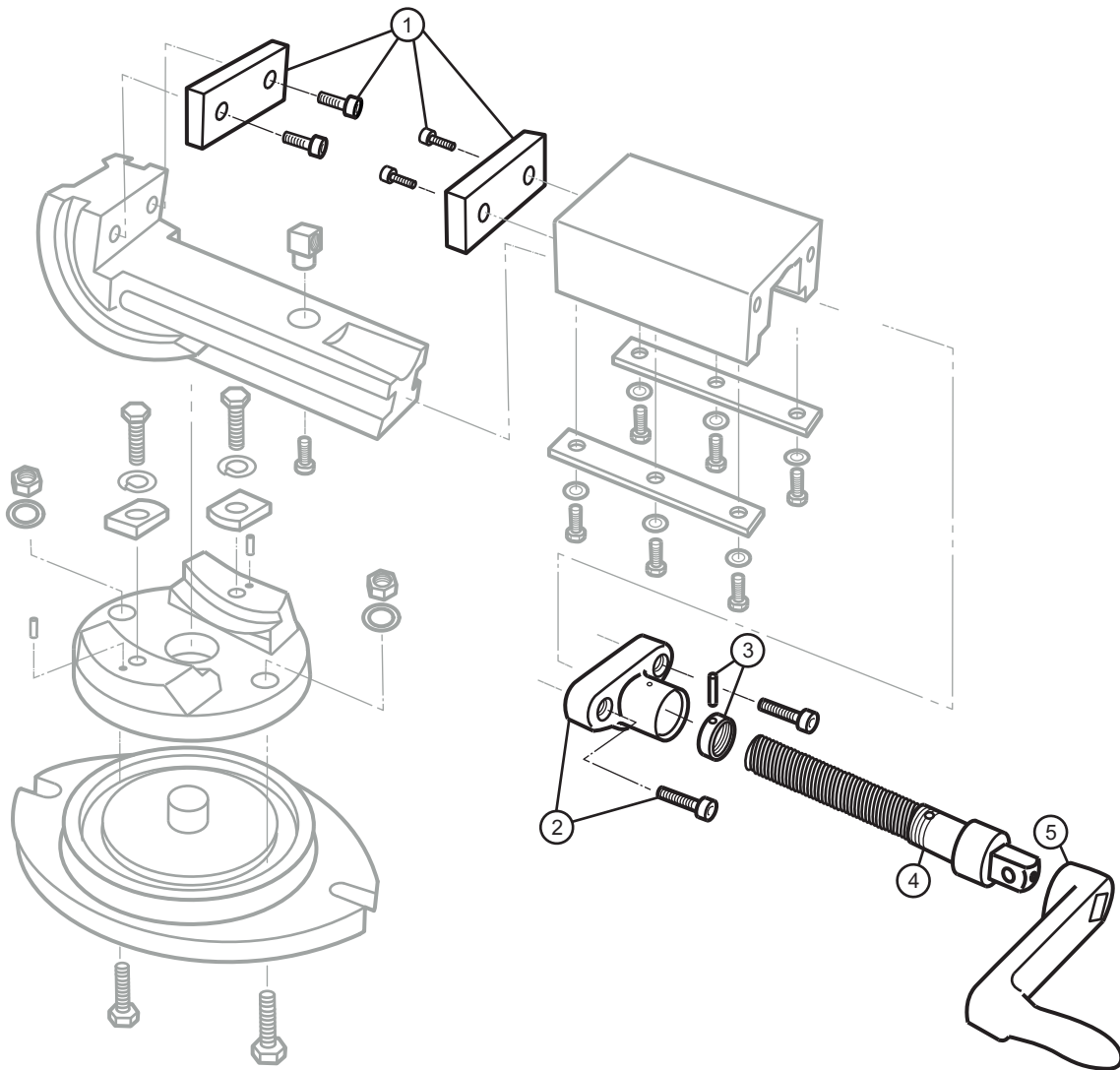




**Super Precision 2-Axis Angular Machine Vise Parts Diagram**

6" Jaw Width, 6" Jaw Opening, 2" Jaw Depth

Stock #: 11707 Model #: AMV/SP-150



#	Part	Description
1	11707-01	Jaw Insert Assembly
2	11707-02	Sleeve and Socket Head (2)
3	11707-03	Collar and Roll Pin
4	11707-04	Clamp Screw
5	11707-05	Handle