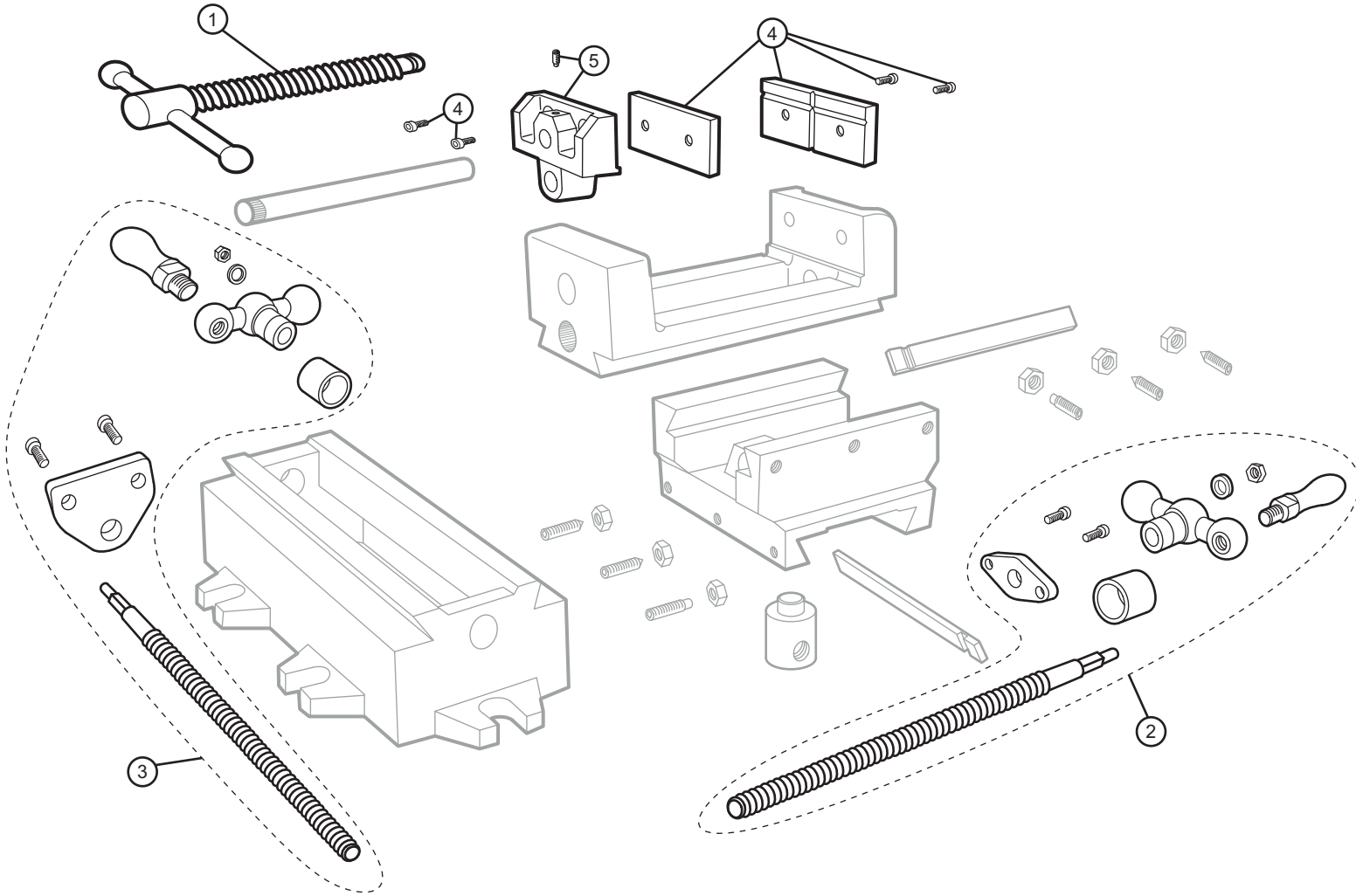




8" Cross Slide Drill Press Vise - Parts Diagram

8"Jaw Width, 8"Jaw Opening, 2" Jaw Depth

Stock #: 11698 Model #: CS8



#	Part	Description
1	11698-01	Handle & Spindle Assembly - 1
2	11698-02	Handle & Spindle Assembly - 2
3	11698-03	Handle & Spindle Assembly - 3
4	11698-04	Jaw Insert Assembly
5	11698-05	Moveable Jaw with Screw