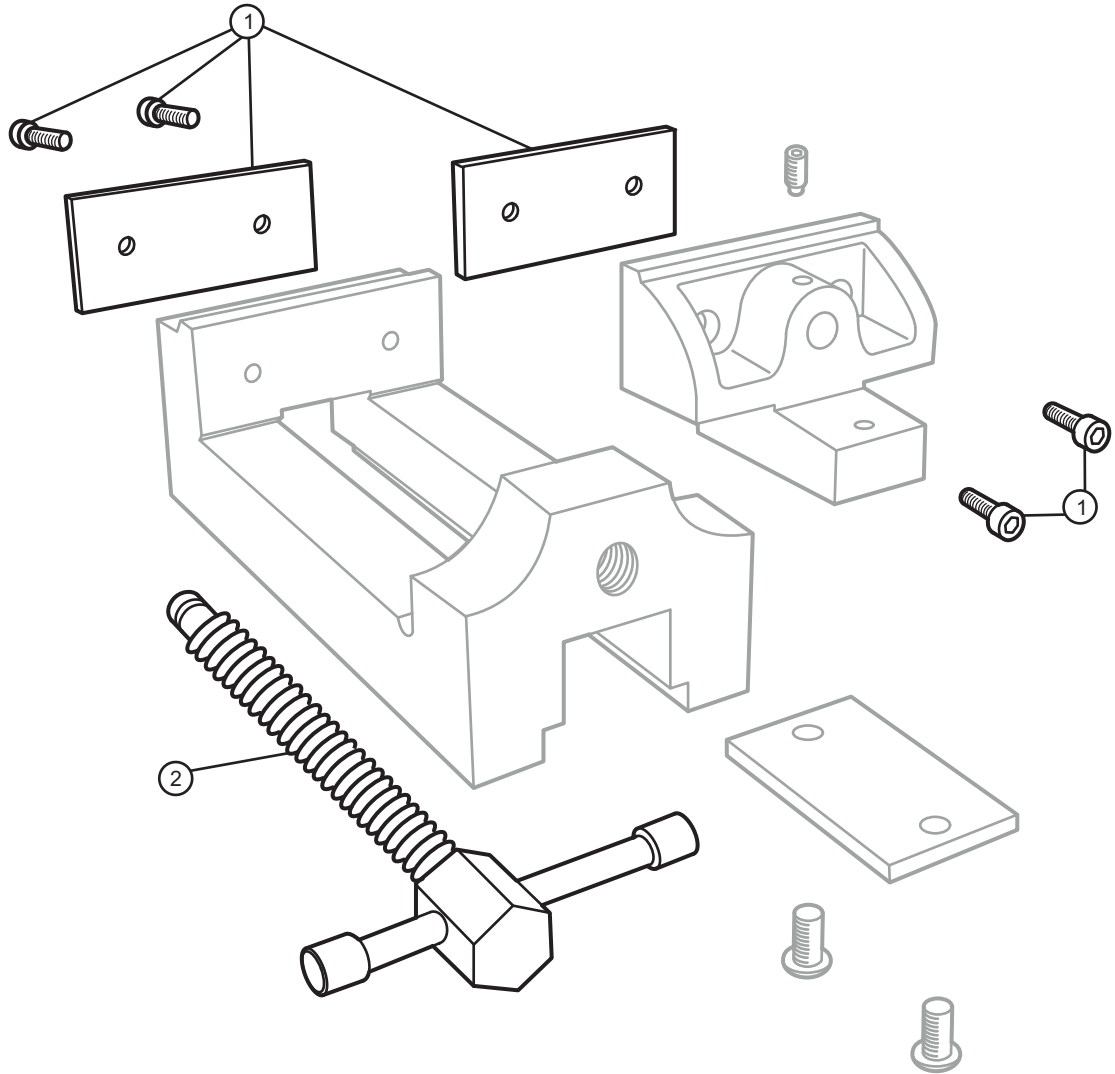




2-7/16" Ground Drill Press Vise - Parts Diagram
 2-7/16" Jaw Width, 2-5/8" Jaw Opening, 1-1/2" Jaw Depth
 Stock #: 11632 Model #: GR25



#	Part	Description
1	11632-01	Jaw Insert Assembly (4 screws)
2	11632-02	Spindle & Handle Assembly