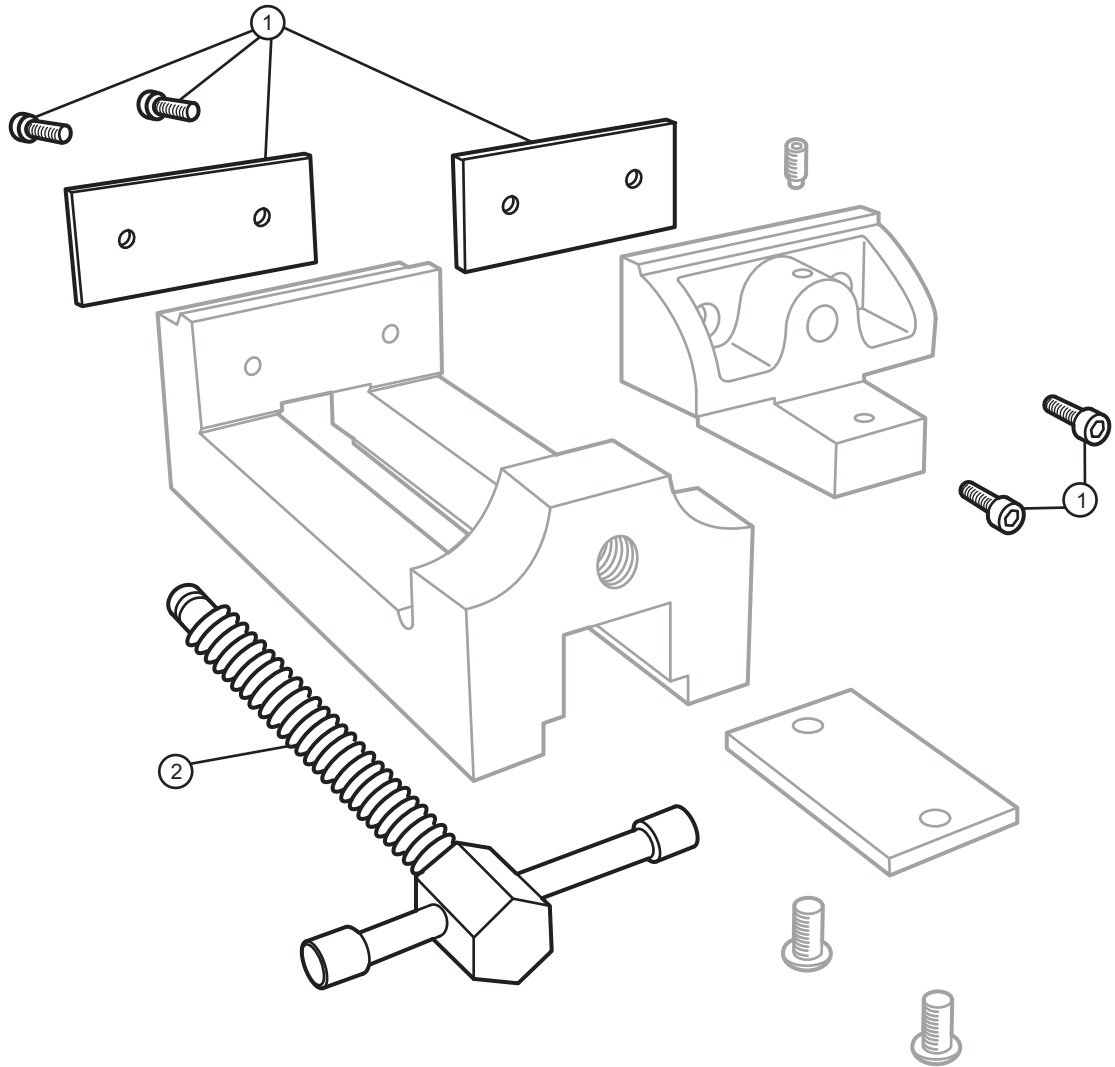




1-1/2" Ground Drill Press Vise - Parts Diagram

1-1/2" Jaw Width, 1-5/8" Jaw Opening, 1" Jaw Depth

Stock #: 11631 Model #: GR15



#	Part	Description
1	11631-01	Jaw Insert Assembly (4 screws)
2	11631-02	Spindle & Handle Assembly