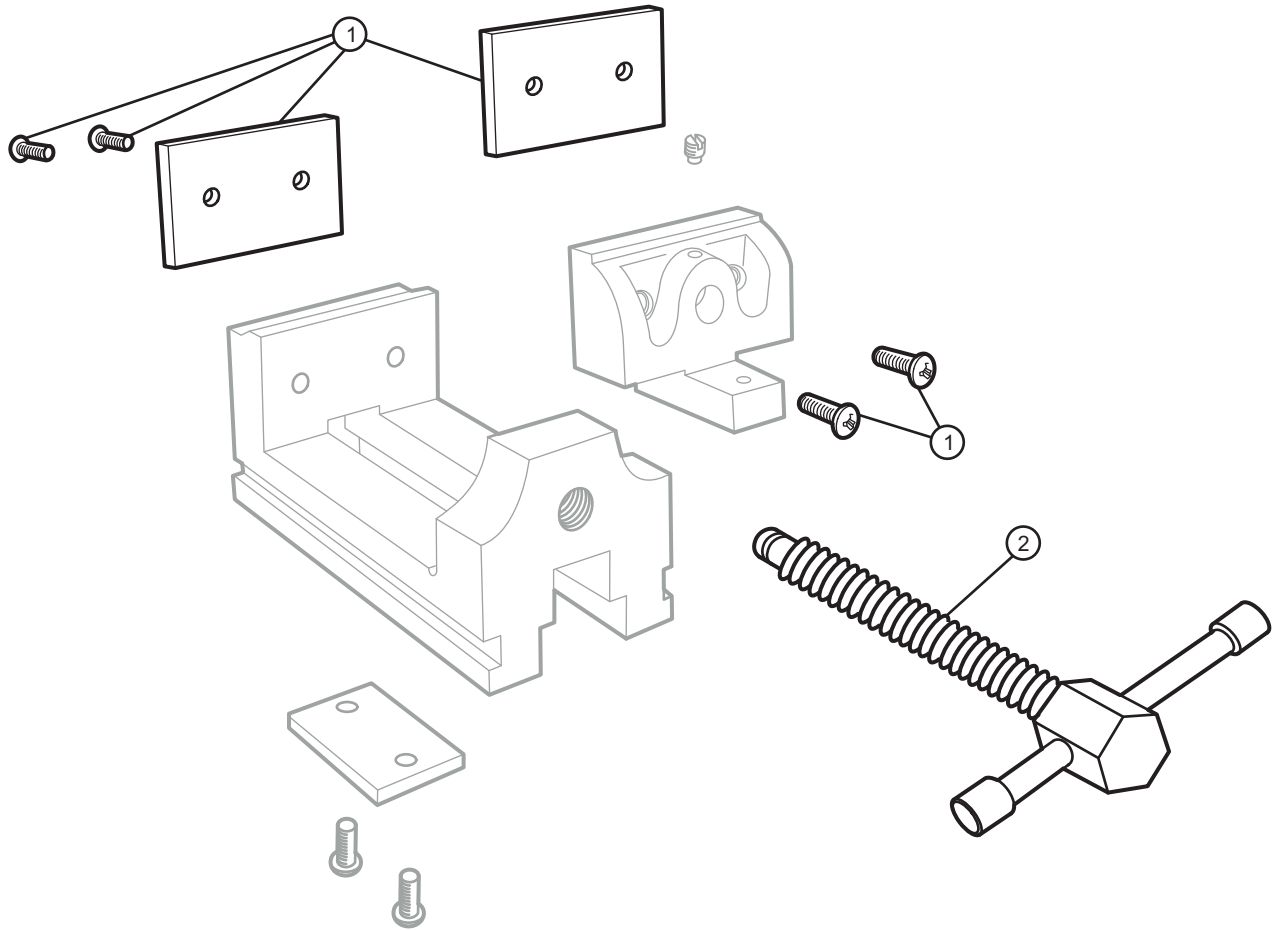




### 1-1/2" Precision Drill Press Vise - Parts Diagram

1-1/2" Jaw Width, 1-1/2" Jaw Opening, 1" Jaw Depth

Stock #: 11620 Model #: DP15



#	Part	Description
1	11620-01	Jaw Insert Assembly (4 screws)
2	11620-02	Spindle & Handle Assembly