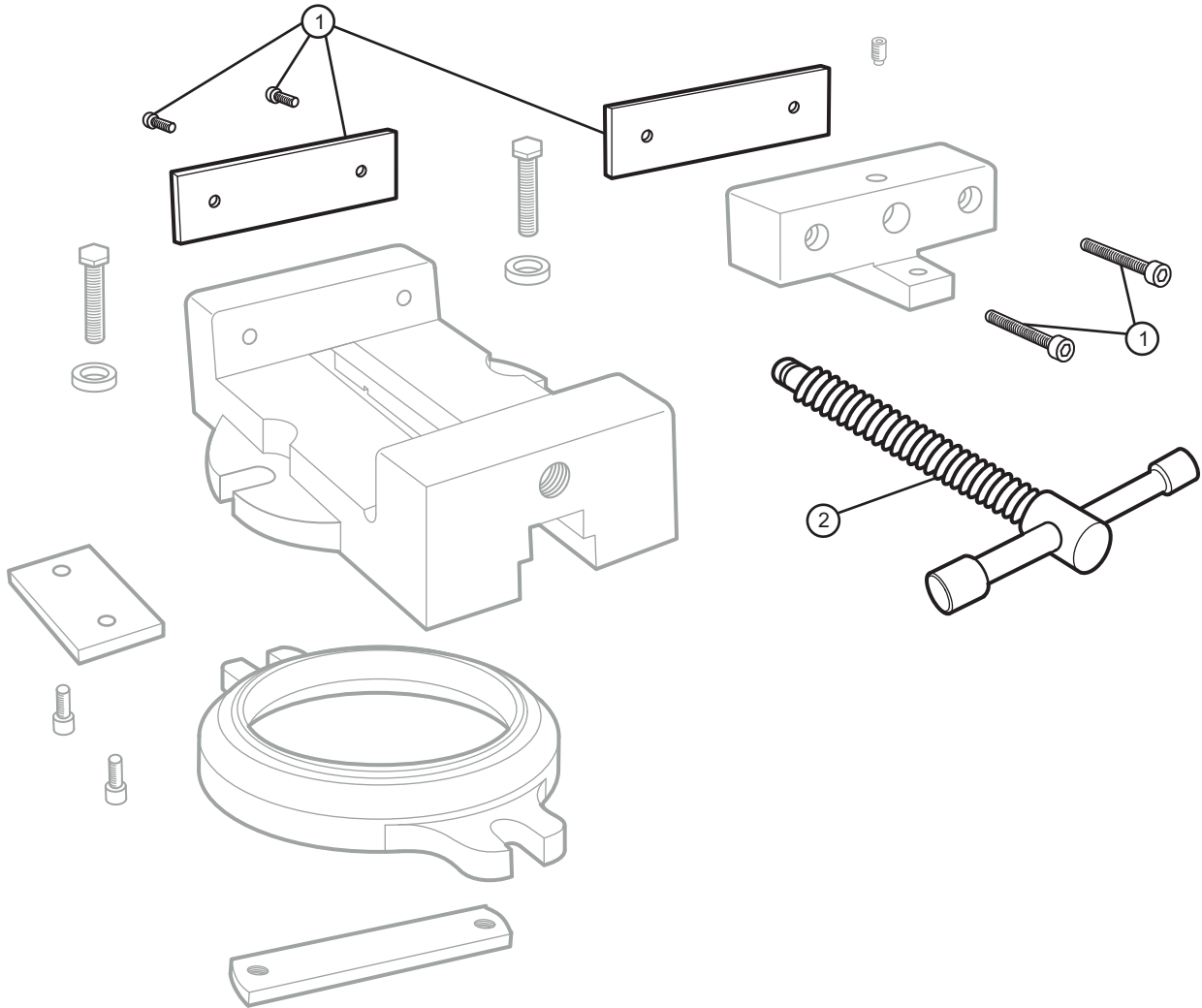




4-1/2" Low Profile Milling Machine Vise with Base- Parts Diagram

4-1/2" Jaw Width, 4" Jaw Opening, 1-1/4" Jaw Depth

Stock #: 11615 Model #: ML45B



#	Part	Description
1	11615-01	Jaw Insert Assembly (4 screws)
2	11615-02	Spindle & Handle Assembly