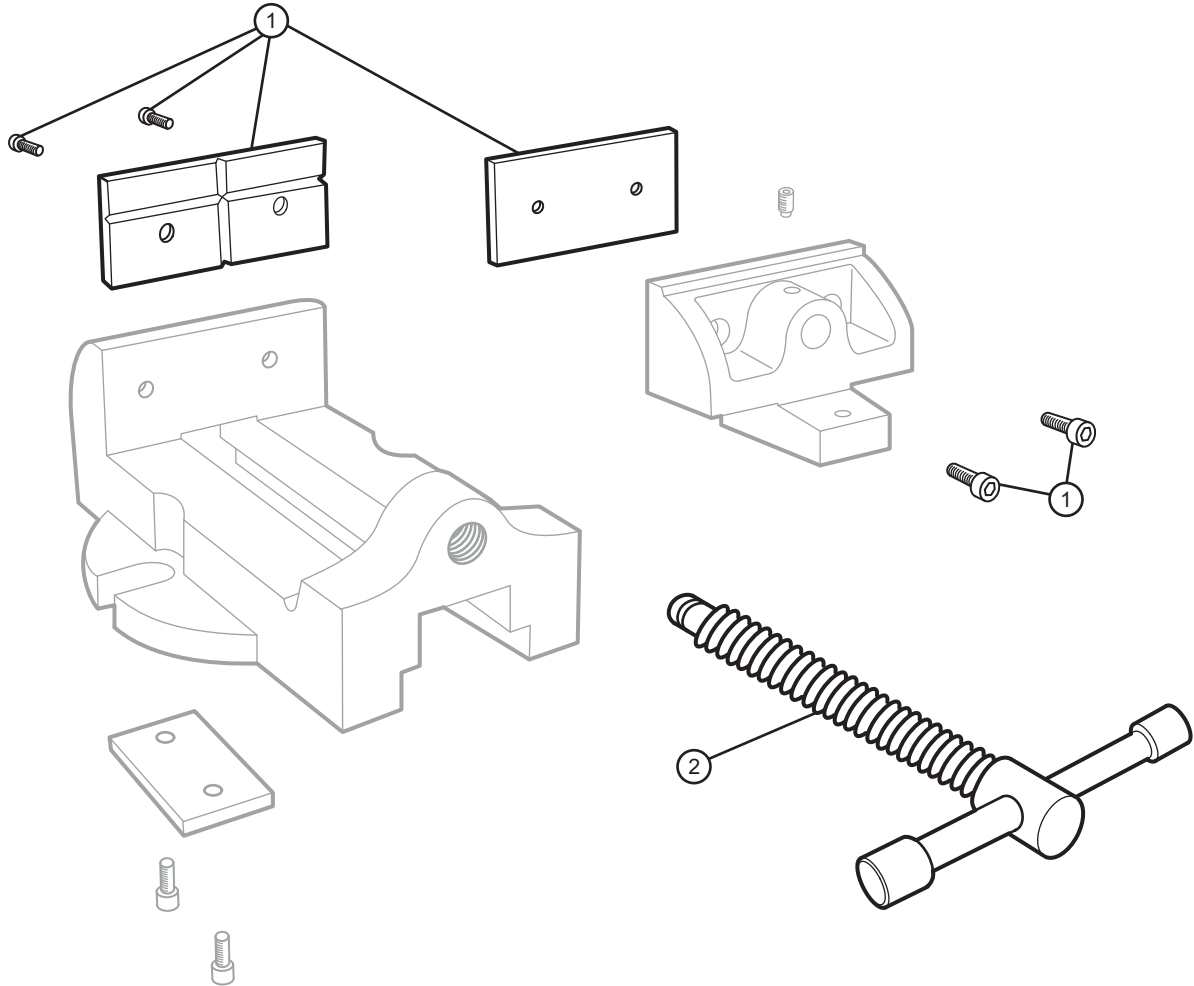




6" Milling Machine Vice - Parts Diagram

6" Jaw Width, 6" Jaw Opening, 2" Jaw Depth

Stock #: 11604 Model #: MV6



#	Part	Description
1	11604-01	Jaw Insert Assembly (4 screws)
2	11604-02	Spindle & Handle Assembly