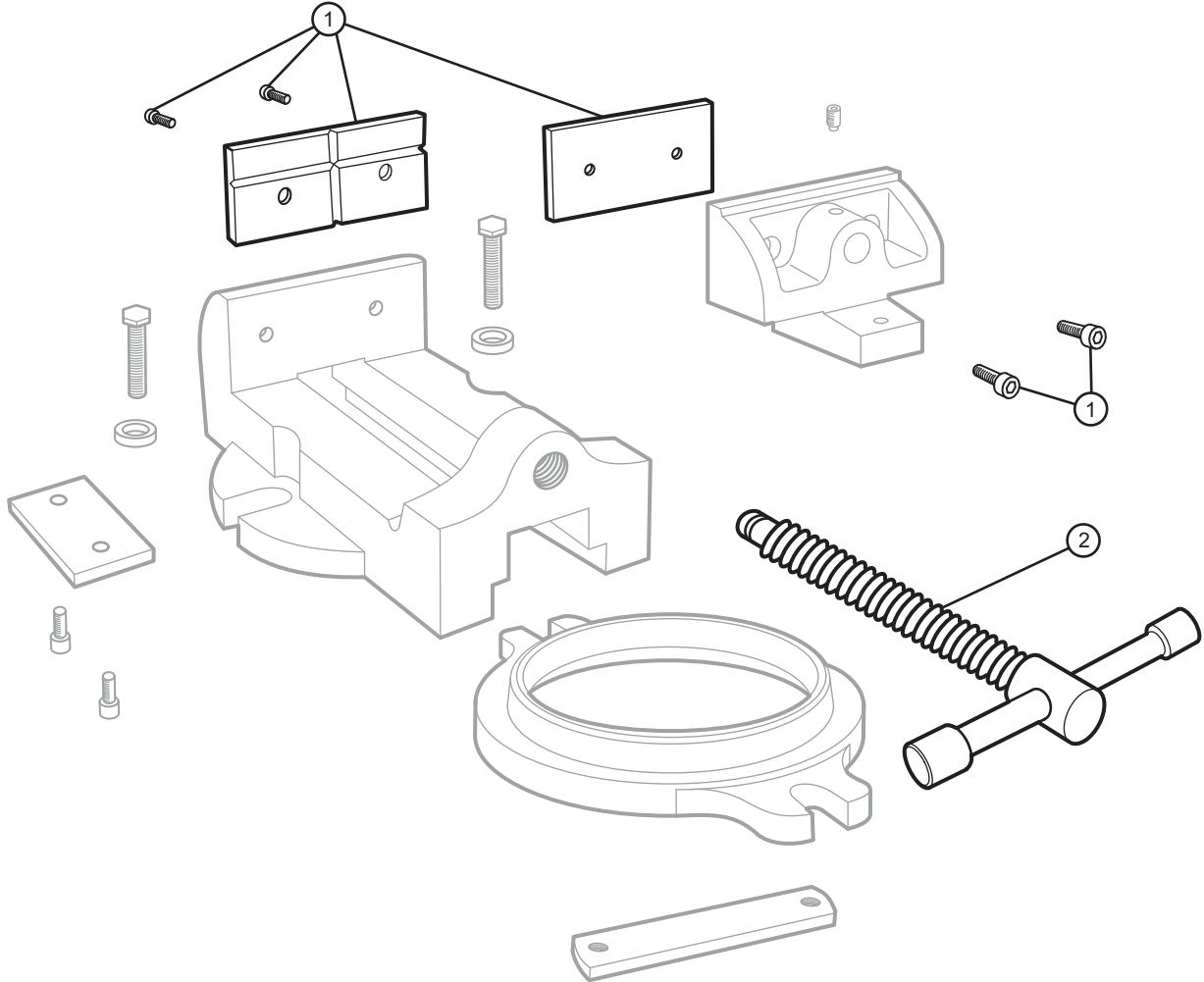




4" Milling Machine Vise with Base - Parts Diagram

4" Jaw Width, 4" Jaw Opening, 1-3/4" Jaw Depth

Stock #: 11603 Model #: MV4B



#	Part	Description
1	11603-01	Jaw Insert Assembly (4 screws)
2	11603-02	Spindle & Handle Assembly