

Demolition Hammer - 3 611 C35 010 - 11335

www.powertools-aftersaleservice.com



BOSCH

Item	Part Number	Description	Illustration	Price	Quantity	Price Group
	2 1 614 220 188	Field 120V	1	-,-	1	47
	3 1 614 011 118	Armature 120V	1	-,-	1	51
	4 1 617 200 122	Switch	1	-,-	1	34
	5 1 614 461 033	Power supply cord USA/CDN 3,1m 3 x 2,08mm SJOW	1	-,-	1	32
	6 1 610 703 053	Grommet Ø9,7-Ø12x89 MM	1	-,-	1	13
	7 1 601 302 018	Fastening Clamp	1	-,-	1	11
	15 1 616 610 102	Fan	1	-,-	1	28
	21 1 613 103 004	Locking Bolt	1	-,-	1	40
	22 1 618 045 026	Retaining Bracket	1	-,-	1	50
	23 2 917 760 187	Slotted Spring Pin 8x55 DIN 1481	1	-,-	2	11
	28 1 614 614 006	Compression Spring	1	-,-	4	19
	29 1 614 614 007	Compression Spring	1	-,-	1	19
	33 1 611 006 008	Holding Plate	1	-,-	1	23
	34 1 610 102 635	Supporting Disc	1	-,-	1	26
	37 1 615 500 380	Fan Cover	1	-,-	1	36
	42 1 614 336 078	Brush Holder	1	-,-	1	38
	42/2 1 614 336 017	Brush Guide	1	-,-	2	24
	42/3 1 614 652 007	Spiral Spring	1	-,-	2	15
	42/6 1 611 390 005	Connector	1	-,-	2	13
	42/8 2 912 401 412	Tapping Screw	1	-,-	4	11
	43 1 610 508 054	Spacer	1	-,-	1	13
	46 1 615 106 053	Motor Housing	1	-,-	1	33
	47 1 618 000 029	Base Plate	1	-,-	1	27
	48 1 615 500 383	Housing Cover	1	-,-	1	33
	53 1 610 190 058	Stop Disc	1	-,-	1	24
	55 1 610 506 019	Control Bushing	1	-,-	1	34
	56/58 1 610 500 023	Retaining snap ring	1	-,-	1	19
	56/71 1 613 101 012	Piston Pin	1	-,-	1	17
	60 1 616 317 086	Cylindrical Gear	1	-,-	1	45
	61 1 616 317 093	Cylindrical Gear	1	-,-	1	47
	72 1 616 110 037	Eccentric Shaft	1	-,-	1	48
	73 1 600 A00 14G	Needle bearing	1	-,-	1	15
	75/74 1 613 060 049	Splined coupling	1	-,-	2	23

Item	Part Number	Description	Illustration	Price	Quantity	Price Group
75/76	1 618 045 022	Strap-Shaped Handle	1	-,-	1	40
75/77	1 615 805 069	Bearing Pedestal	1	-,-	1	32
75/79	1 613 060 050	Toothed Shaft	1	-,-	2	24
75/80	1 615 500 376	Bearing cover	1	-,-	1	22
75/81	1 615 500 377	Bearing cover	1	-,-	1	22
75/173	1 613 490 008	Torx Oval-Head Screw 6x20	1	-,-	4	10
75/174	1 613 490 009	Torx Oval-Head Screw 6x40	1	-,-	2	11
75/183	2 916 280 013	Supporting Disc S15x21x1,5 DIN988	1	-,-	2	10
75/184	1 613 349 021	Hex Nut	1	-,-	2	12
84	1 612 025 070	Carrying Handle	2	-,-	1	35
86	2 911 011 270	Hex Screw DIN 931-M8x130-8.8	2	-,-	1	13
87	1 611 316 034	Clamping Band	2	-,-	1	28
88	1 613 349 017	Star Knob M8 BLACK	2	-,-	1	19
95	1 614 448 038	Connecting Cable	1	-,-	1	21
118	1 610 520 003	Spacer Tube	1	-,-	1	14
119	1 610 913 020	Needle-Roller Assembly	1	-,-	2	13
120	1 610 910 092	Needle-Roller Bearing D25xD37x17	1	-,-	1	33
123	1 610 900 030	Deep-Groove Ball Bearing 20x47x14	1	-,-	1	29
126	2 603 490 023	Torx Oval-Head Screw 4x20	1	-,-	4	10
128	2 916 660 021	Spring retaining ring 47x1,75MM, DIN 472	1	-,-	1	16
138	1 611 015 059	Sealing Frame	1	-,-	1	15
139	1 610 508 050	Plug	1	-,-	1	12
157	1 610 210 192	O-Ring	1	-,-	1	14
158	1 610 210 191	O-Ring	1	-,-	1	14
159	1 600 210 005	O-Ring 66,0x3,0 MM	1	-,-	1	12
160	1 610 210 008	O-Ring 17,3x17,7 MM	1	-,-	2	18
161	1 610 290 118	Damping Ring	1	-,-	1	15
164	1 610 210 194	O-Ring	1	-,-	2	13
165	1 610 210 195	O-Ring	1	-,-	2	22
169	1 613 414 022	Hex Socket Head Cap Screw	1	-,-	4	14
170	1 613 414 023	Hex Socket Head Cap Screw	1	-,-	4	11
171	1 613 490 010	Torx Oval-Head Screw M6x20	1	-,-	18	11
172	1 613 490 011	Torx Oval-Head Screw M6x50	1	-,-	2	11
176	1 603 435 036	Tapping Screw 4,8x78 MM, TORX T-20	1	-,-	2	11
180	1 613 490 007	Clamp Screw	1	-,-	2	11
181	2 912 401 420	Tapping Screw DIN7981-ST3,9x19-F-Z	1	-,-	2	10
183	1 613 349 020	Hex Nut	1	-,-	1	12
191	1 611 110 D15	Warning Plate	1	-,-	1	15
192	1 601 110 618	Reference Plate	1	-,-	1	12
195	1 611 110 D43	Sticker	1	-,-	1	13
661	1 615 430 010	Grease Tube 30 ML	2	-,-	1	18
808	1 601 106 032	Nameplate 26x52 MM	1	-,-	1	13
810	1 617 014 143	Carbon-Brush Set	1	-,-	1	30
813	1 617 000 480	Bearing	1	-,-	1	27
814	1 617 000 481	Bearing	1	-,-	1	33
818	1 617 000 482	Brush-Cover	1	-,-	1	16
819	1 617 000 483	Brush-Cover	1	-,-	1	16
820	1 617 000 499	Toolholder	1	-,-	1	53
831	1 617 000 A4Z	Plain Washer	1	-,-	1	26
835	1 617 000 709	Guide Tube	1	-,-	1	50
839	1 617 000 489	Gear Cover	1	-,-	1	45
840	1 617 000 490	Gear Housing	1	-,-	1	60
841	1 617 000 491	Striker Pin	1	-,-	1	44

Item	Part Number	Description	Illustration	Price	Quantity	Price Group
844	1 617 000 492	Hammer Pipe	1	-,-	1	52
845	1 617 000 710	Sealing cap	1	-,-	1	27
854	1 617 000 740	Spacer Tube	1	-,-	1	33
856	1 607 000 C3N	Hammer Piston	1	-,-	1	29
857	1 617 000 495	Striker	1	-,-	1	41
870	1 607 000 C3P	Connecting Rod	1	-,-	1	30
875	1 617 000 496	Rubber Torsion-Bar	1	-,-	1	38
884	1 617 000 A55	Handle	2	-,-	1	39
890	1 617 000 716	Wheel Set	2	-,-	1	33
891	1 617 000 715	Lock	2	-,-	1	20
892	1 607 000 C3M	Hammer Piston	1	-,-	1	36
895	1 617 000 702	Wear and Tear Part Set	1	-,-	1	41
896	1 617 000 497	Wear and Tear Part Set	1	-,-	1	35
897	1 615 430 016	Lubricating Grease 1000 ML	2	-,-	1	44
898	1 615 430 015	Grease Tube 225 ML	2	-,-	1	35

Illustration - Type E

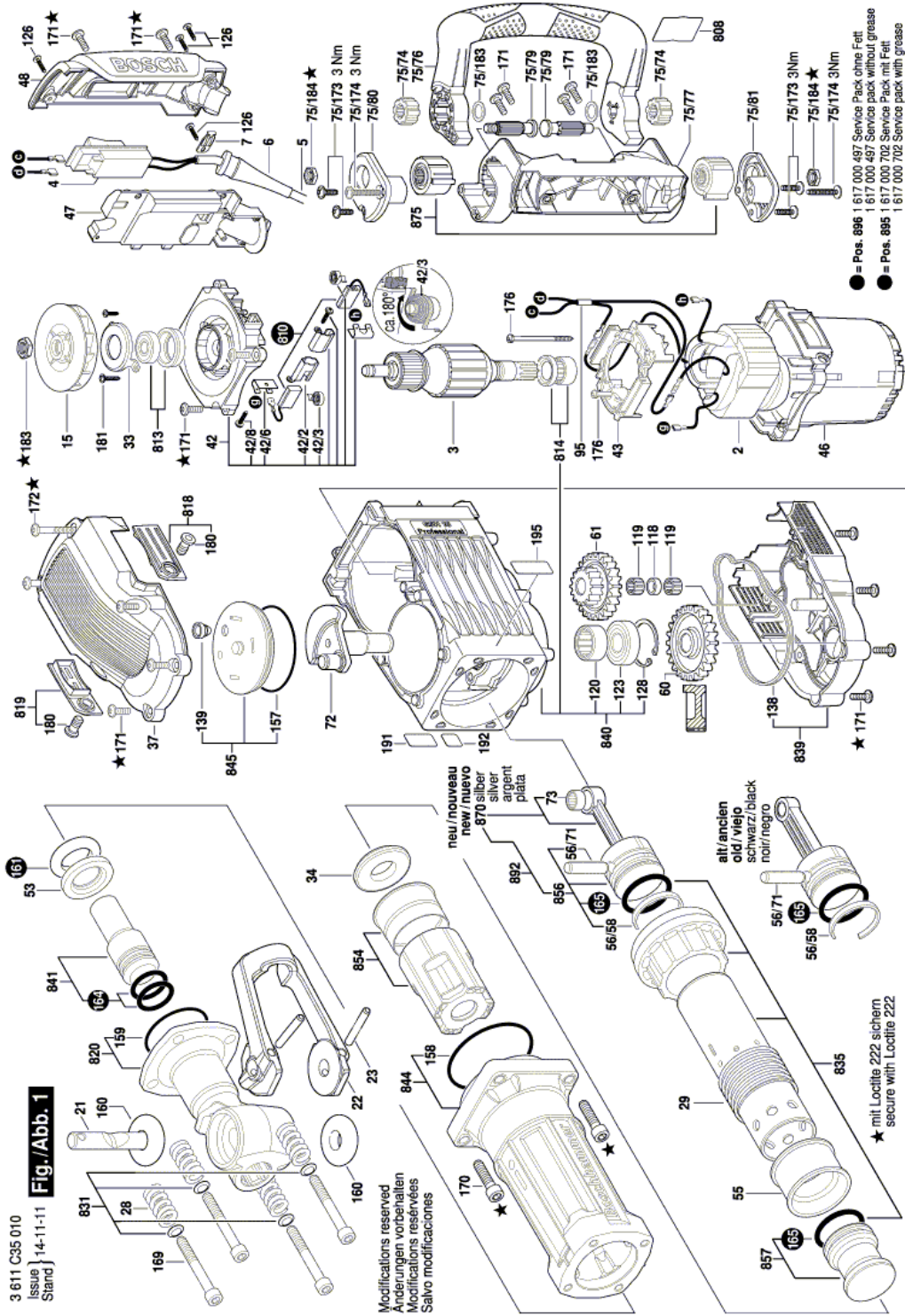
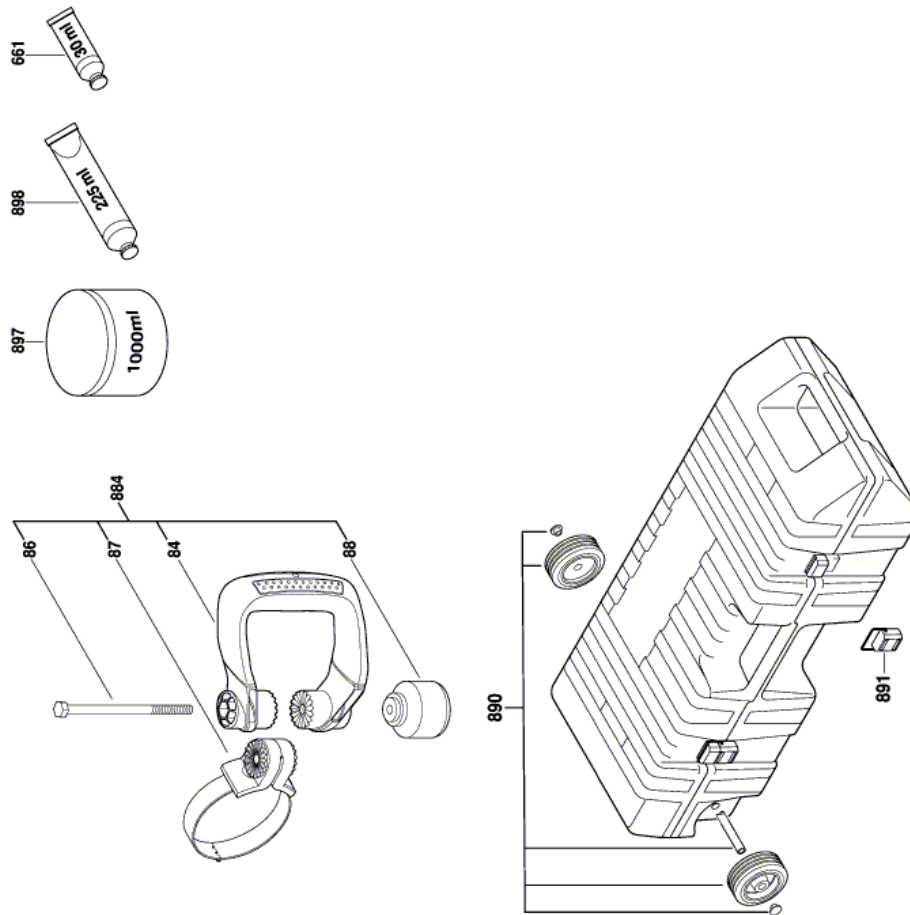


Illustration - Type E

3 611 C35 010
Issue 14-09-15
Stand

Fig./Abb. 2



Modifications reserved
Änderungen vorbehalten
Modificaciones reservadas
Salvo modificaciones

Information subject to change without further notice.