

Angle Drill - 0 601 132 734 - 1132 VSR

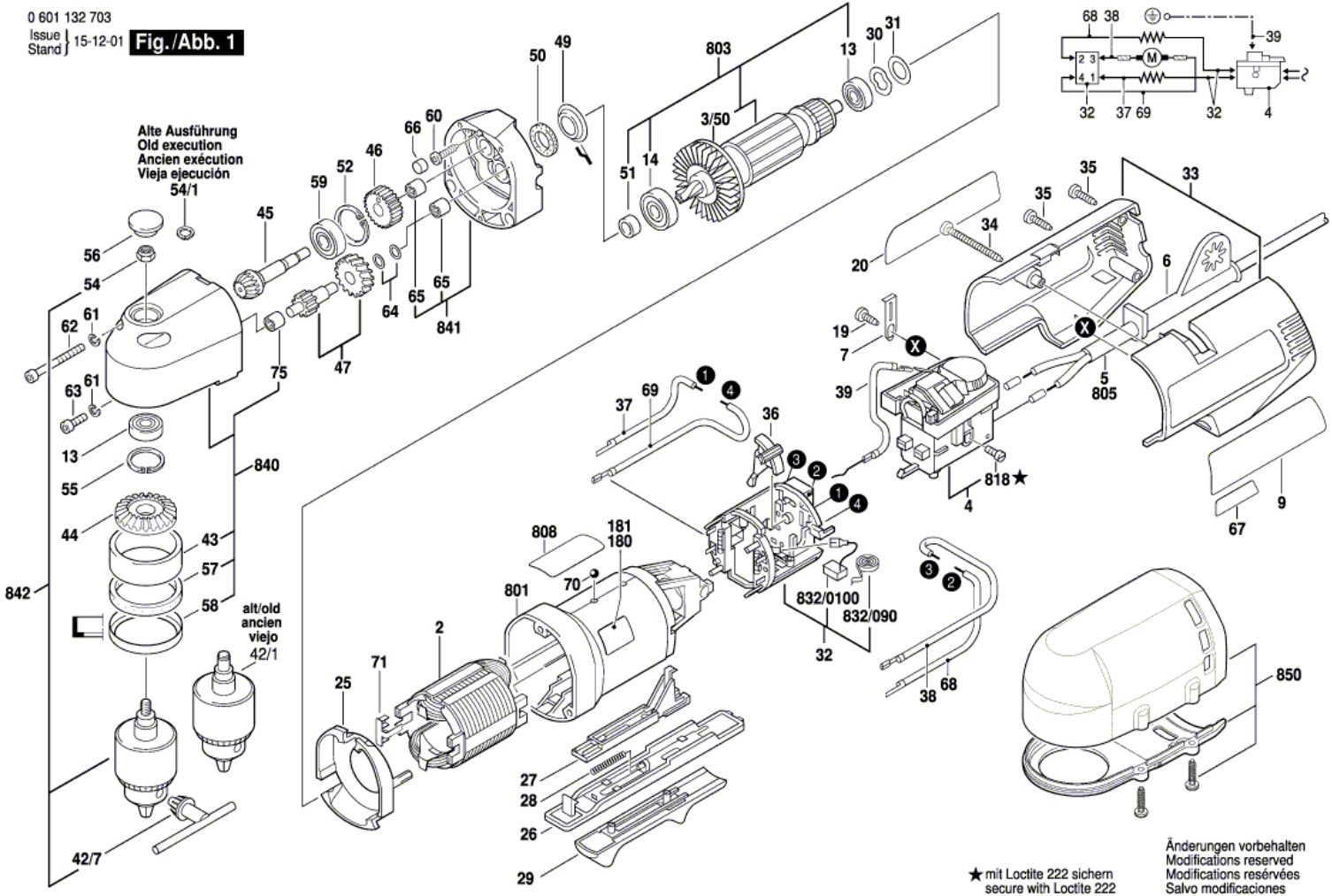
www.powertools-aftersaleservice.com



BOSCH

Item	Part Number	Description	Illustration	Price	Quantity	Price Group
	2 2 604 220 566	Field 115V		1	-,-	1 30
3/50	2 606 610 081	Fan		1	-,-	1 19
	4 2 607 200 290	Switch		1	-,-	1 43
	5 2 604 460 138	Power supply cord USA/CDN 4,15m 2 x 082mm SJ 18/2		1	-,-	1 29
	6 2 600 707 060	Grommet Ø11,6-Ø12,5x84 MM		1	-,-	1 13
	6 2 600 707 061	Grommet Ø8,8 MM		1	-,-	1 11
	7 1 601 302 017	Fastening Clamp		1	-,-	1 10
	9 3 601 110 407	Sticker SUNNY SIDE		1	-,-	1 15
	13 2 600 905 032	Ball Bearing 7x19x6		1	-,-	2 17
	14 2 600 905 021	groove ball bearing 9x24x7		1	-,-	1 21
	19 2 910 211 019	Tapping Screw DIN 7971-ST3,9x16-F		1	-,-	1 10
	20 3 601 110 403	Sticker SHADOW SIDE		1	-,-	1 15
	25 2 601 328 002	Cover Disc		1	-,-	1 14
	26 2 608 001 005	Switch Rocker BLUE		1	-,-	1 14
	27 2 608 001 007	Switch Slide BLACK		1	-,-	1 11
	28 2 604 611 033	Compression Spring		1	-,-	1 12
	29 2 608 001 013	Switch Handle YELLOW		1	-,-	1 12
	30 2 600 150 003	Shim		1	-,-	1 12
	31 2 600 101 617	Shim 0,3 MM		1	-,-	1 11
	32 1 600 A00 4HS	Brush Holder		1	-,-	1 38
	33 2 605 104 351	Housing Cover BLUE		1	-,-	1 24
	34 2 910 211 283	Tapping Screw DIN 7971-B3,9x45		1	-,-	1 11
	35 2 910 211 007	Tapping Screw DIN 7971-BZ2,9x16		1	-,-	2 11
	36 2 601 990 004	Control Lever		1	-,-	1 12
	37 2 604 448 154	Connecting Cable L=83 MM WHITE		1	-,-	1 11
	38 2 604 448 156	Connecting Cable L=113 MM WHITE		1	-,-	1 11
42/7	2 607 950 007	Chuck Wrench SG2		1	-,-	1 19
	43 2 600 390 028	Sintered-Metal Bushing		1	-,-	1 15
	44 3 606 333 035	Crown Gear Z=36		1	-,-	1 35
	45 3 606 333 038	Bevel Gear Z=18		1	-,-	1 39
	46 3 606 317 010	Cylindrical Gear Z=21		1	-,-	1 30
	47 3 606 309 071	Toothed Shaft		1	-,-	1 35
	49 2 600 500 017	Cupped Washer		1	-,-	1 10

Item	Part Number	Description	Illustration	Price	Quantity	Price Group
50	2 600 108 026	Felt Washer	1	-,-	1	11
51	2 600 300 047	Seal Bushing	1	-,-	1	13
52	2 916 660 007	Spring retaining ring DIN 472-22x1MM	1	-,-	1	10
54	2 915 061 003	Hex Nut DIN 985-M 5-8-A	1	-,-	1	12
54/1	2 916 640 004	Spring retaining ring DIN 471-7x0,8-FST	1	-,-	1	11
55	2 916 660 005	Spring retaining ring DIN 472-19x1MM	1	-,-	1	10
56	3 600 508 008	Plug	1	-,-	1	11
57	3 600 205 001	Felt Washer	1	-,-	1	12
58	3 600 500 000	Cover Ring	1	-,-	1	14
59	3 130 900 056	groove ball bearing DIN 625-608-2Z-C3	1	-,-	1	19
60	2 914 201 508	Torx Oval-Head Screw	1	-,-	3	10
61	2 916 690 003	Spring Lock Washer DIN 128-A4-FST	1	-,-	3	10
62	2 910 141 140	Hex Socket Head Cap Screw DIN 912-M 4x45-8.8	1	-,-	2	11
63	2 910 141 122	Hex Socket Head Cap Screw DIN 912-M 4x12-8.8	1	-,-	1	10
64	2 600 100 607	Shim 0,3 MM	1	-,-	2	11
65	3 600 300 014	Sintered-Metal Bushing	1	-,-	2	11
66	3 603 100 023	Plug	1	-,-	1	12
67	3 601 110 243	Sticker	1	-,-	1	17
68	3 604 445 006	Connecting Cable L=91 MM BLUE	1	-,-	1	15
69	3 604 445 007	Connecting Cable L=91 MM	1	-,-	1	15
70	2 603 230 001	Ball BLUE	1	-,-	1	11
71	2 601 329 037	Contact Spring	1	-,-	1	11
75	3 600 300 014	Sintered-Metal Bushing	1	-,-	1	11
801	2 605 108 060	Motor Housing BLUE	1	-,-	1	26
803	3 604 010 067	Armature 110-115V	1	-,-	1	45
808	1 601 11A 3H3	Nameplate	1	-,-	1	13
818	1 603 429 002	Socket head cap screw M3,5x7 MM	1	-,-	2	11
832/090	1 604 652 013	Spiral Spring	1	-,-	2	11
832/0100	1 607 014 17J	Carbon-Brush Set	1	-,-	1	21
840	3 607 031 170	Gear Housing	1	-,-	1	43
841	3 607 031 169	Bearing Flange	1	-,-	1	40
842	3 608 571 007	Key Chuck	1	-,-	1	44
850	3 605 500 201	Cover	1	-,-	1	30



Information subject to change without further notice.