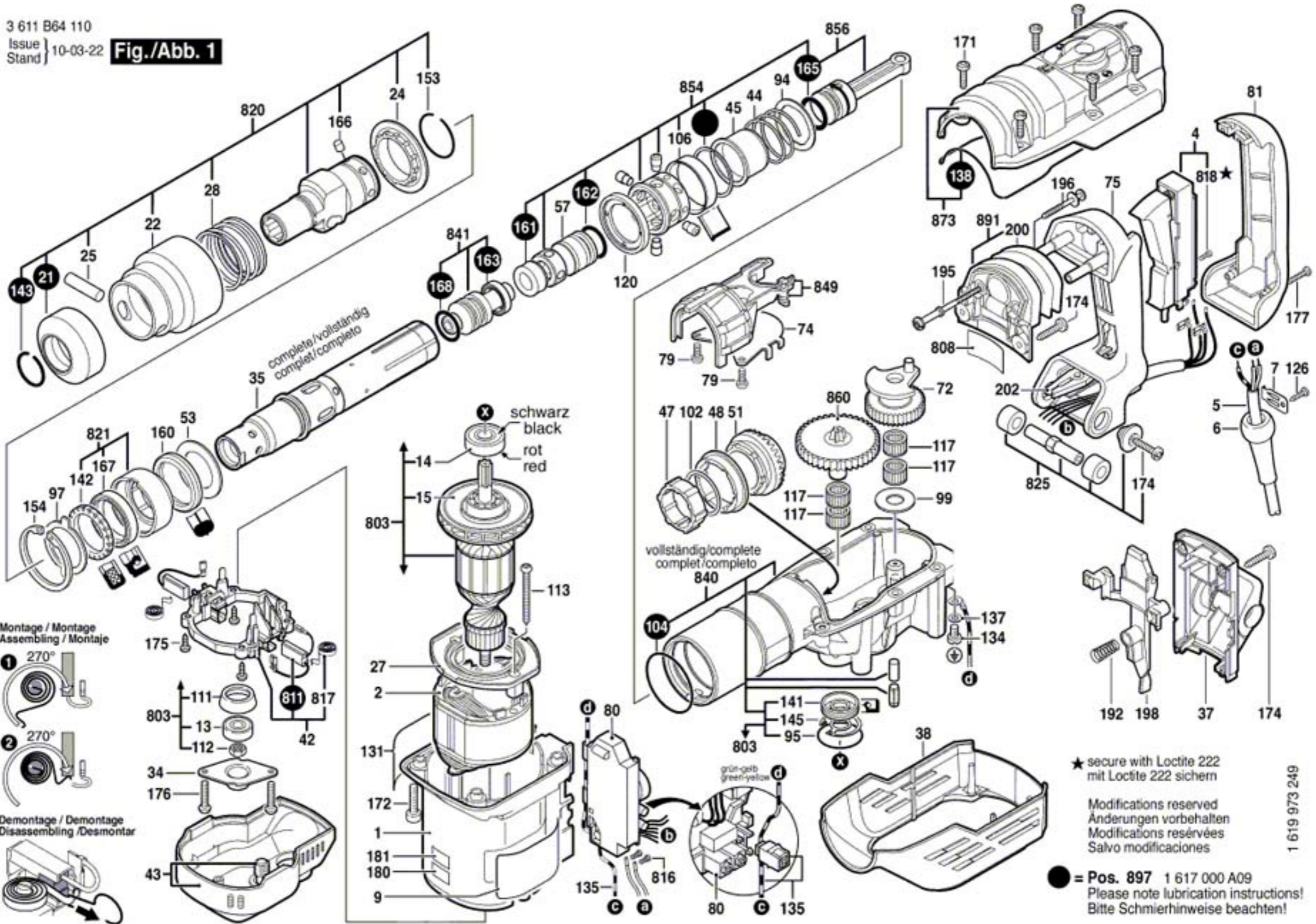


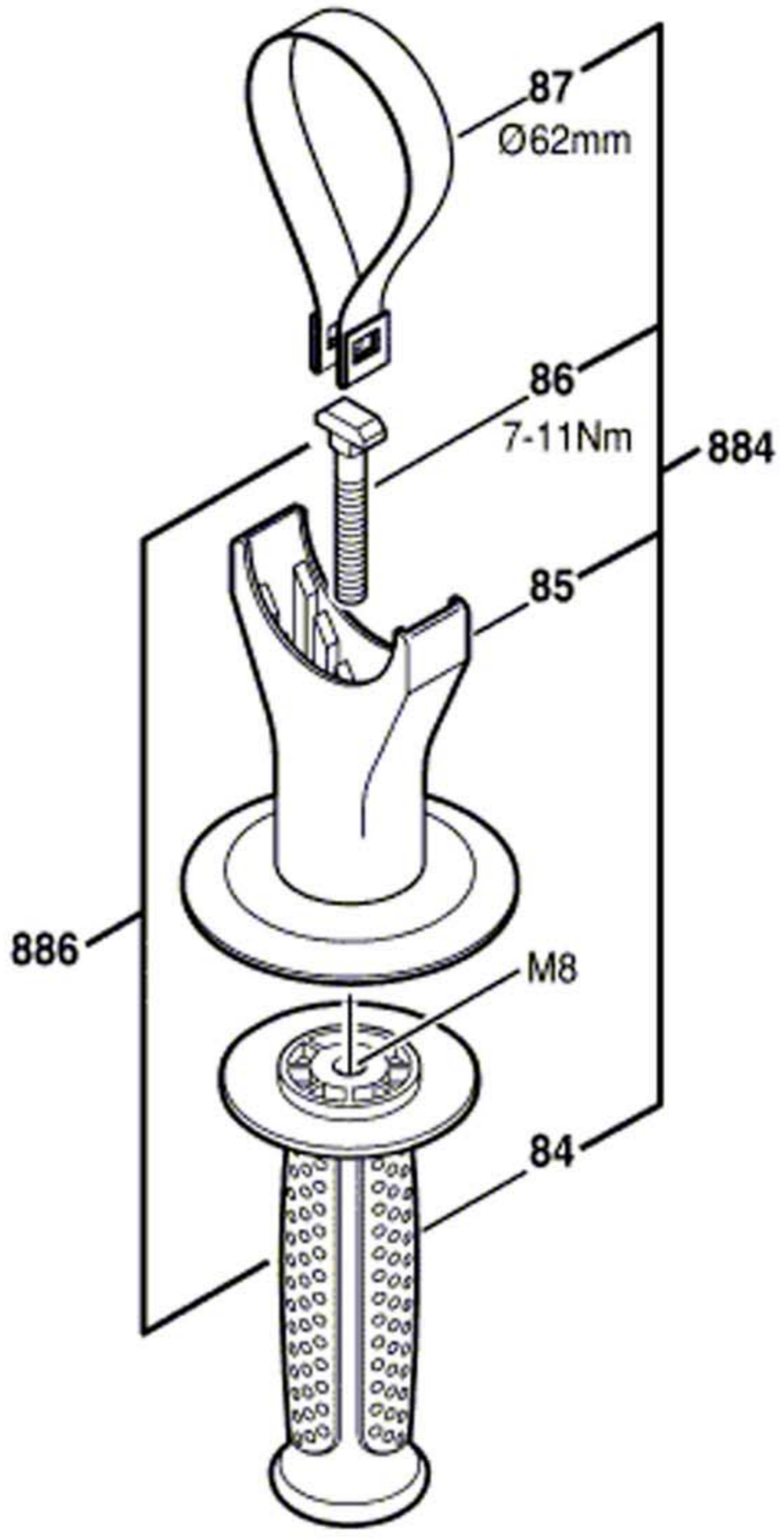
Fig./Abb. 1



3 611 B64 110

Issue }
Stand } 10-03-22

Fig./Abb. 2



661

