

## Rotary Hammer - 0 611 253 739 - 11253 VSR

www.powertools-aftersaleservice.com



**BOSCH**

Item	Part Number	Description	Illustration	Price	Quantity	Price Group
2	1 614 220 177	Field 110-120V	1	-,-	1	29
3	1 617 000 V31	Armature With Fan	1	-,-	1	41
3/5	1 616 610 094	Fan	1	-,-	1	12
3/13	1 610 905 025	groove ball bearing 7x19x6	1	-,-	1	19
3/14	1 610 905 048	groove ball bearing 9x24x7	1	-,-	1	21
3/49	1 615 700 044	End Shield	1	-,-	1	12
4	1 617 200 558	Switch	1	-,-	1	32
5	2 604 460 239	Power supply cord USA/CDN 2,70m 2 x 0,82 SJ18/2	1	-,-	1	27
6	1 600 703 034	Grommet Ø7,3-Ø8,6x66 MM	1	-,-	1	13
7	1 601 035 008	Cable Clip	1	-,-	1	11
9	1 611 110 X63	Manufacturer's nameplate	1	-,-	1	15
10	1 611 110 X64	Manufacturer's nameplate	1	-,-	1	15
11	1 611 110 X62	Warning Plate	1	-,-	1	15
16	1 614 336 061	Brush Plate	1	-,-	1	28
19	1 611 329 024	Switch Contact	1	-,-	2	11
24	1 617 000 556	Toothed Shaft	1	-,-	1	36
26	1 617 000 557	Hammer Piston	1	-,-	1	36
26/27	1 610 311 018	Striker	1	-,-	1	28
26/29	1 613 105 012	Piston Pin	1	-,-	1	15
26/56	1 610 210 187	O-Ring	1	-,-	1	12
26/71	1 610 101 011	Shim washer 1,2 MM THICK	1	-,-	2	11
30	1 615 819 028	Drive bearing	1	-,-	1	35
30/35	1 610 202 024	Plain bearing	1	-,-	1	17
31	1 610 913 016	Needle-Roller Assembly	1	-,-	1	15
32	1 612 026 037	Clamp Handle BLACK	1	-,-	1	24
32/46	1 614 690 002	Driver Pin	1	-,-	1	11
32/49	1 612 026 035	Switch Button RED	1	-,-	1	11
32/76	1 610 210 046	O-Ring 10,5x2,7 MM	1	-,-	1	11
32/83	1 614 611 006	Compression Spring	1	-,-	1	15
36	1 611 016 003	Holding Plate	1	-,-	1	12
41	1 615 500 343	Housing Cover BLUE	1	-,-	1	21
44	1 610 508 047	Protective Cap	1	-,-	1	12
45	1 610 522 013	Air-Deflector Ring	1	-,-	1	12

Item	Part Number	Description	Illustration	Price	Quantity	Price Group
47	1 613 100 030	Needle Roller	1	-,-	4	14
48	1 611 098 008	Tab Washer	1	-,-	1	12
54	1 610 502 012	Rubber Bushing	1	-,-	1	10
55	1 610 290 226	Seal Ring 53,0x7,0 MM	1	-,-	1	15
57	1 610 210 068	O-Ring 24,0x2,5 MM	1	-,-	1	11
63	1 610 910 063	Needle bearing Ø30xØ37x12 MM	1	-,-	1	18
64/1	1 610 190 060	Supporting Disc	1	-,-	1	12
66	1 610 202 021	Plain bearing	1	-,-	1	13
68	1 610 283 036	Rotary shaft lip seal	1	-,-	1	20
70	1 903 230 013	Ball DIN 5401-Ø7MM-III-ST	1	-,-	1	11
74	1 614 601 027	Retaining ring	1	-,-	1	10
75	1 610 101 629	Retaining Washer	1	-,-	2	10
76	1 603 430 00A	Thread-forming tap. Screw	1	-,-	4	10
77	2 603 490 024	Torx Oval-Head Screw 4x25	1	-,-	3	11
78	2 603 490 022	Screw 4x16	1	-,-	1	10
79	1 613 435 023	Thread-forming tap. Screw	1	-,-	2	10
80	1 613 435 043	Screw	1	-,-	2	10
87	2 916 540 012	Retaining ring DIN 7993-A22	1	-,-	1	13
101	1 614 449 014	Connecting Cable	1	-,-	1	12
102	1 614 449 015	Connecting Cable	1	-,-	1	12
103	2 603 490 017	Torx Oval-Head Screw 3x10	1	-,-	1	10
106	1 614 611 022	Plain bearing	1	-,-	1	13
106/105	1 614 611 021	Compression Spring	1	-,-	1	11
321/22	1 616 312 004	Cylindrical Gear	1	-,-	1	24
321/28	1 613 124 081	Striker Pin	1	-,-	1	21
321/33	1 610 590 014	Holding Jacket	1	-,-	1	12
321/34	1 610 190 067	Supporting Disc	1	-,-	1	12
321/37	1 613 100 019	Straight Pin DIN6325-2,5x12-RIKO	1	-,-	3	11
321/38	1 600 A00 8AG	Catch Disk	1	-,-	1	15
321/42	1 610 102 073	Thrust Ring	1	-,-	1	16
321/46	1 610 390 051	Guide Bushing	1	-,-	1	19
321/50	1 614 611 020	Compression Spring	1	-,-	1	14
321/58	1 610 210 178	O-Ring	1	-,-	1	11
321/59	1 610 283 035	Rotary shaft lip seal	1	-,-	1	18
321/60	1 610 210 176	O-Ring 9,0x3,5 MM	1	-,-	1	10
321/62	1 610 210 179	O-Ring	1	-,-	1	11
321/72	1 604 601 027	Retaining ring	1	-,-	1	10
321/82	1 614 601 034	Retaining ring	1	-,-	1	12
321/83	1 604 601 028	Retaining ring A22 DIN 7993	1	-,-	1	10
651	1 613 001 009	Depth-Gauge SW 6x210 MM	2	-,-	1	15
691/895	1 615 438 409	Lock for 1 615 438 486+...358+...367	2	-,-	2	19
691/895	1 615 438 431	Lock for 1 615 438 429 + 1 615 438 430	2	-,-	2	19
691/895	1 615 438 426	Lock for 1 615 438 395	2	-,-	2	19
801	1 617 000 V33	Motor Housing	1	-,-	1	36
808	1 601 11A 3H5	Nameplate	1	-,-	1	13
811	1 617 000 525	Carbon-Brush Set	1	-,-	1	23
817	1 600 A00 32J	Adapter module	1	-,-	2	11
820	1 617 000 6DX	Intermediate Flange	1	-,-	1	34
821	1 617 000 564	Pipe	1	-,-	1	41
822	1 602 025 08X	Auxiliary Handle	2	-,-	1	28
822/120	1 602 025 07H	Auxiliary Handle	2	-,-	1	23
822/124	1 611 316 021	Clamping Band Ø50 MM	2	-,-	1	14
822/125	1 613 490 002	T-Head Bolt M8x40 MM	2	-,-	1	14

Item	Part Number	Description	Illustration	Price	Quantity	Price Group
822/802	1 617 000 475	Support clamp	2	-,-	1	22
823	1 617 000 579	Toothed Shaft	1	-,-	1	37
825	1 617 000 598	Tool Holding Fixture	1	-,-	1	41
840	1 617 000 581	Gear Housing	1	-,-	1	38
843	1 617 000 582	Protection Sleeve	1	-,-	1	24
861	1 615 820 097	Switching Element	1	-,-	1	15
864	1 617 000 A07	Supporting Disc	1	-,-	1	23
883	1 604 601 028	Retaining ring A22 DIN 7993	1	-,-	1	10
892	1 615 430 001	Grease Tube 225 ML	2	-,-	1	31
893	1 615 430 002	Grease Tube 225 ML	2	-,-	1	37
894	1 615 430 020	Grease Tube 225 ML	2	-,-	1	29
895	1 615 430 019	Oil Reservoir 1000 ML	2	-,-	1	40

Illustration - Type E

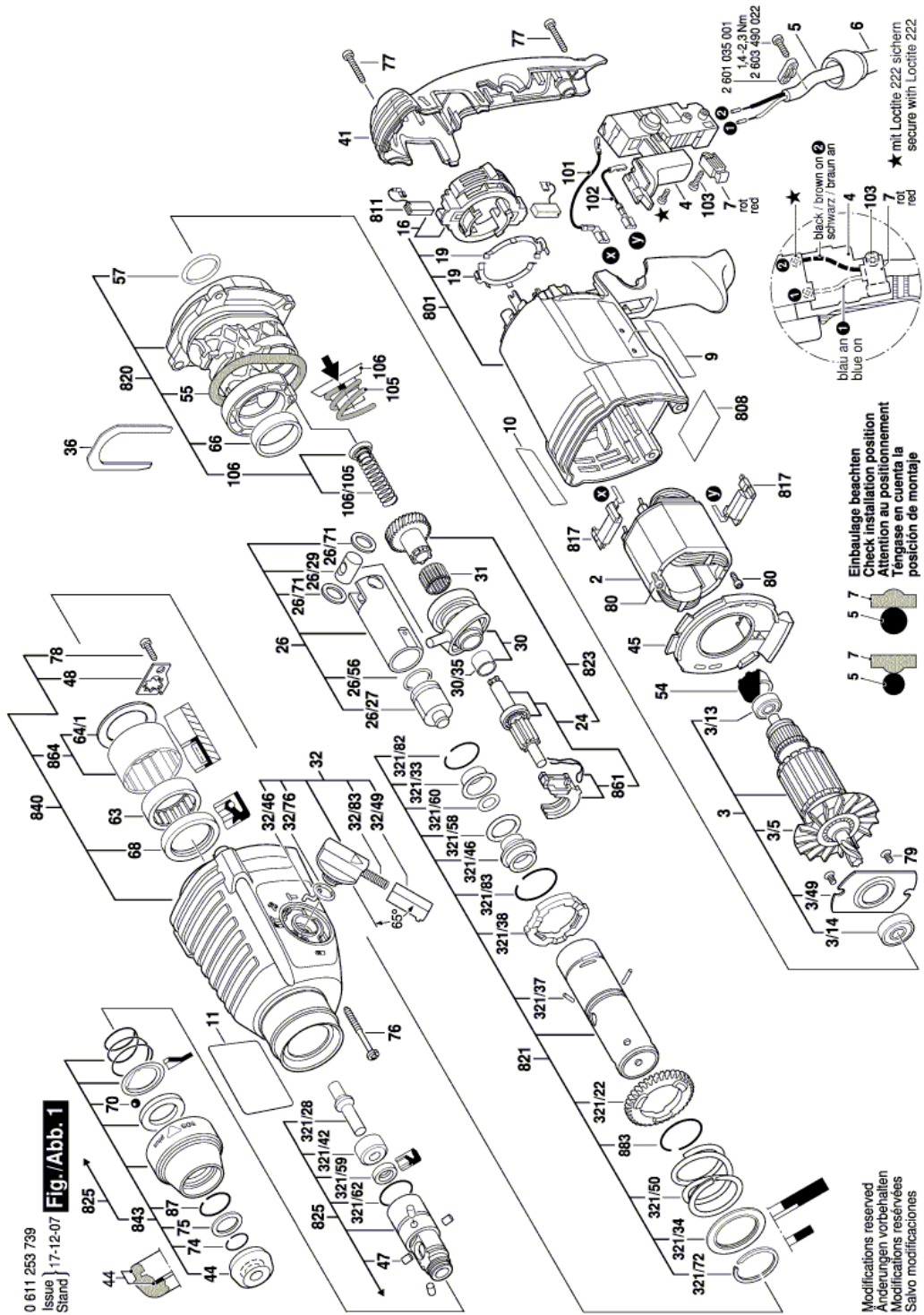
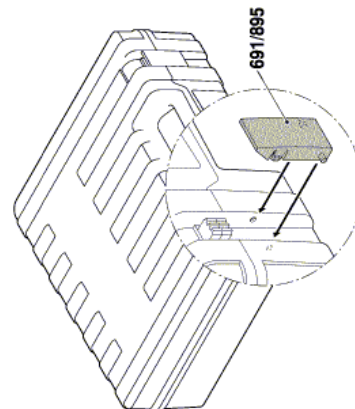
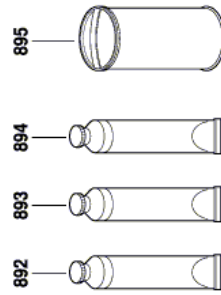
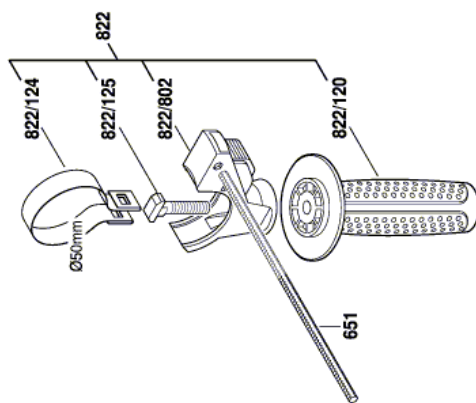


Illustration - Type E

0 611 253 739  
Issue } 14-10-29  
Stand }

**Fig./Abb. 2**



Modifications reserved  
Änderungen vorbehalten  
Modifications réservées  
Salvo modificaciones