

Rotary Hammer - 0 611 239 739 - 11239VS

www.powertools-aftersaleservice.com



BOSCH

Item	Part Number	Description	Illustration	Price	Quantity	Price Group
2	1 614 220 148	Field 110-120V	1	-,-	1	32
4	2 607 200 578	Switch	1	-,-	1	35
5	3 604 460 045	Power supply cord USA/CDN 4,15m 2 x 082mm SJ 18/2	1	-,-	1	29
6	2 600 703 018	Grommet Ø7,3-Ø8,6x76 MM	1	-,-	1	13
7	1 611 035 005	Cable Clip	1	-,-	1	12
9	1 611 110 A40	Manufacturer's nameplate	1	-,-	1	15
13	2 600 905 032	Ball Bearing 7x19x6	1	-,-	1	17
14	1 610 905 036	groove ball bearing 10x26x8	1	-,-	1	20
15	1 616 610 088	Fan	1	-,-	1	14
17	1 615 132 075	Flap Grip	1	-,-	1	20
21	1 615 806 047	Pipe	1	-,-	1	36
22	1 616 333 038	Crown Gear Z=31	1	-,-	1	33
23	1 616 333 039	Pinion Z=6	1	-,-	1	27
24	1 616 312 005	Cylindrical Gear	1	-,-	1	24
25	1 616 317 061	Eccentric Cog Wheel Z=31	1	-,-	1	30
27	1 610 311 016	Striker	1	-,-	1	25
33	1 615 808 082	Gear Cover	1	-,-	1	25
34	2 916 080 910	Locking Washer DIN 6799-7-FSt	1	-,-	1	10
35	1 600 502 023	Intermediate Ring	1	-,-	1	12
37	1 613 123 004	Eccentric Shaft	1	-,-	1	24
38	1 610 202 018	Supporting Disc	1	-,-	2	20
40	1 903 230 013	Ball DIN 5401-Ø7MM-III-ST	1	-,-	7	11
41	3 604 618 008	Compression Spring	1	-,-	1	13
43	1 610 390 043	Screw Bushing	1	-,-	1	11
44	1 611 329 019	Control Fork	1	-,-	1	14
45	1 614 611 016	Compression Spring	1	-,-	2	11
47	1 610 250 010	Inner Ring	1	-,-	1	18
48	1 611 329 020	Fixing Plate	1	-,-	1	13
50	1 610 290 059	Friction Washer	1	-,-	1	11
53	1 610 422 018	Thrust Ring	1	-,-	1	19
54	1 610 508 039	Protective Cap L=13 MM	1	-,-	1	16
55	1 610 190 040	Holding Plate	1	-,-	1	14
56	1 610 499 042	Protection Sleeve	1	-,-	1	15

Item	Part Number	Description	Illustration	Price	Quantity	Price Group
58	1 614 615 004	Compression Spring	1	-,-	1	12
59	1 610 314 003	Sealing Sleeve	1	-,-	1	13
60	1 615 190 087	Plain bearing	1	-,-	1	17
61	1 610 210 156	O-Ring 39,0x3,0 MM	1	-,-	1	11
66	1 610 100 612	Support Disc 0,5 MM THICK	1	-,-	1	11
67	1 614 601 032	Retaining ring	1	-,-	1	11
68	1 610 205 008	Felt Washer	1	-,-	1	11
69	1 610 283 031	Rotary shaft lip seal	1	-,-	1	16
70	1 610 283 032	Rotary shaft lip seal	1	-,-	1	19
72	1 610 210 157	O-Ring 52,0x3,0 MM	1	-,-	1	11
73	1 610 210 121	O-Ring 17,0x3,0 MM GREEN	1	-,-	2	13
74	1 611 014 002	Sealing Frame	1	-,-	1	15
75	1 610 210 155	O-Ring 19,0x2,5 MM	1	-,-	1	11
78	1 610 102 051	Shim 0,3 MM	1	-,-	1	11
78	1 610 102 052	Shim 0,4 MM	1	-,-	1	11
78	1 610 102 053	Shim 0,5 MM	1	-,-	1	11
79	1 928 491 082	Oval-Head Screw	1	-,-	1	11
80	1 614 615 003	Compression Spring	1	-,-	1	15
81	1 614 601 033	Retaining ring	1	-,-	3	11
83	1 614 601 036	Spring retaining ring	1	-,-	1	11
85	1 610 913 015	Needle-Roller Assembly	1	-,-	1	14
86	2 603 490 023	Torx Oval-Head Screw 4x20	1	-,-	13	10
87	1 610 209 006	Backup ring	1	-,-	1	11
88	1 613 414 016	Hex Socket Head Cap Screw	1	-,-	4	10
89	1 613 414 017	Hex Socket Head Cap Screw	1	-,-	2	10
90	2 910 131 154	Hex Socket Head Cap Screw DIN 7984-M5x12-8.8	1	-,-	4	10
91	2 912 401 008	Tapping Screw DIN 7983-ST-2,9x19	1	-,-	1	10
92	2 910 211 005	Tapping Screw DIN 7971-ST2,9x9,5-F	1	-,-	4	10
97	1 610 102 025	Friction Washer	1	-,-	1	12
101	1 614 449 012	Connecting Cable L=360 MM WHITE	1	-,-	1	14
102	1 614 431 028	Connecting Cable L=220 MM WHITE	1	-,-	1	13
103	1 614 437 017	Connecting Cable L=180 MM BLUE	1	-,-	1	13
104	1 614 437 018	Connecting Cable	1	-,-	1	16
105	1 614 449 013	Connecting Cable	1	-,-	2	14
108	1 611 091 003	connecting terminal 2-POLE	1	-,-	1	11
108	1 611 091 006	connecting terminal 2-POLE	1	-,-	1	11
110	1 611 110 A41	Warning Plate	1	-,-	1	15
120	1 602 025 07H	Auxiliary Handle	2	-,-	1	23
121	1 618 040 073	Support clamp	2	-,-	1	15
122	1 613 450 017	Hex Screw M 8x40 MM	2	-,-	1	11
123	1 611 316 018	Clamping Band Ø 63 MM	2	-,-	1	14
124	2 915 051 180	Hex Nut ISO-4035-M8-05	2	-,-	1	10
661	1 615 430 010	Grease Tube 30 ML	2	-,-	1	18
700	1 617 000 132	Drill Chuck Shank SDS-PLUS	2	-,-	1	-
701	1 608 571 088	Chuck	2	-,-	1	32
707	2 607 950 007	Chuck Wrench SG2	2	-,-	1	19
720	2 602 025 112	Auxiliary Handle Ø 63 MM	2	-,-	1	-
725	1 613 001 009	Depth-Gauge SW 6x210 MM	2	-,-	1	15
801	1 615 108 103	Insulating Housing	1	-,-	1	24
802	2 603 421 226	Countersunk-Head Screw M6x27 LEFTHAND THREADS	2	-,-	1	11
803	1 614 010 706	Armature With Fan 110-120V	1	-,-	1	43
808	1 601 11A 3H5	Nameplate	1	-,-	1	13

Item	Part Number	Description	Illustration	Price	Quantity	Price Group
810	1 617 014 139	Carbon-Brush Set	1	-,-	1	26
815	1 614 652 003	Spiral Spring	1	-,-	2	11
816	1 617 000 397	Brush Holder	1	-,-	1	28
818	2 603 410 001	Socket head cap screw M3x6,5-4.8	1	-,-	2	11
819	1 617 000 382	Gear Housing	1	-,-	1	38
820	1 615 104 016	Housing Section BLUE	1	-,-	1	32
821	1 618 598 221	Toolholder SDS-PLUS	1	-,-	1	48
822	1 618 598 248	Toolholder	1	-,-	1	47
823	1 617 016 009	Pinion	1	-,-	1	33
826	1 618 700 085	Hammer Piston	1	-,-	1	27
830	1 612 210 118	Eccentric	1	-,-	1	35
832	1 612 026 090	Clamp Handle	1	-,-	1	15
849	1 618 598 220	Tool Holding Fixture SDS-PLUS	1	-,-	1	46
850	1 618 598 249	Tool Holding Fixture	1	-,-	1	45
852	1 615 500 310	Brush-Cover	1	-,-	1	21
859	1 610 314 004	Sealing Sleeve	1	-,-	1	22
894	2 603 435 015	Recessed-Head Screw DIN 7981-ST3,5x9,5-F	1	-,-	2	11
895	1 615 430 019	Oil Reservoir 1000 ML	2	-,-	1	40
897	1 617 000 383	Wear and Tear Part Set	1	-,-	1	28
898	1 615 437 509	Oil Reservoir 50 ML	2	-,-	1	23
899	1 617 000 V76	Wear and Tear Part Set	1	-,-	1	23

Illustration - Type E

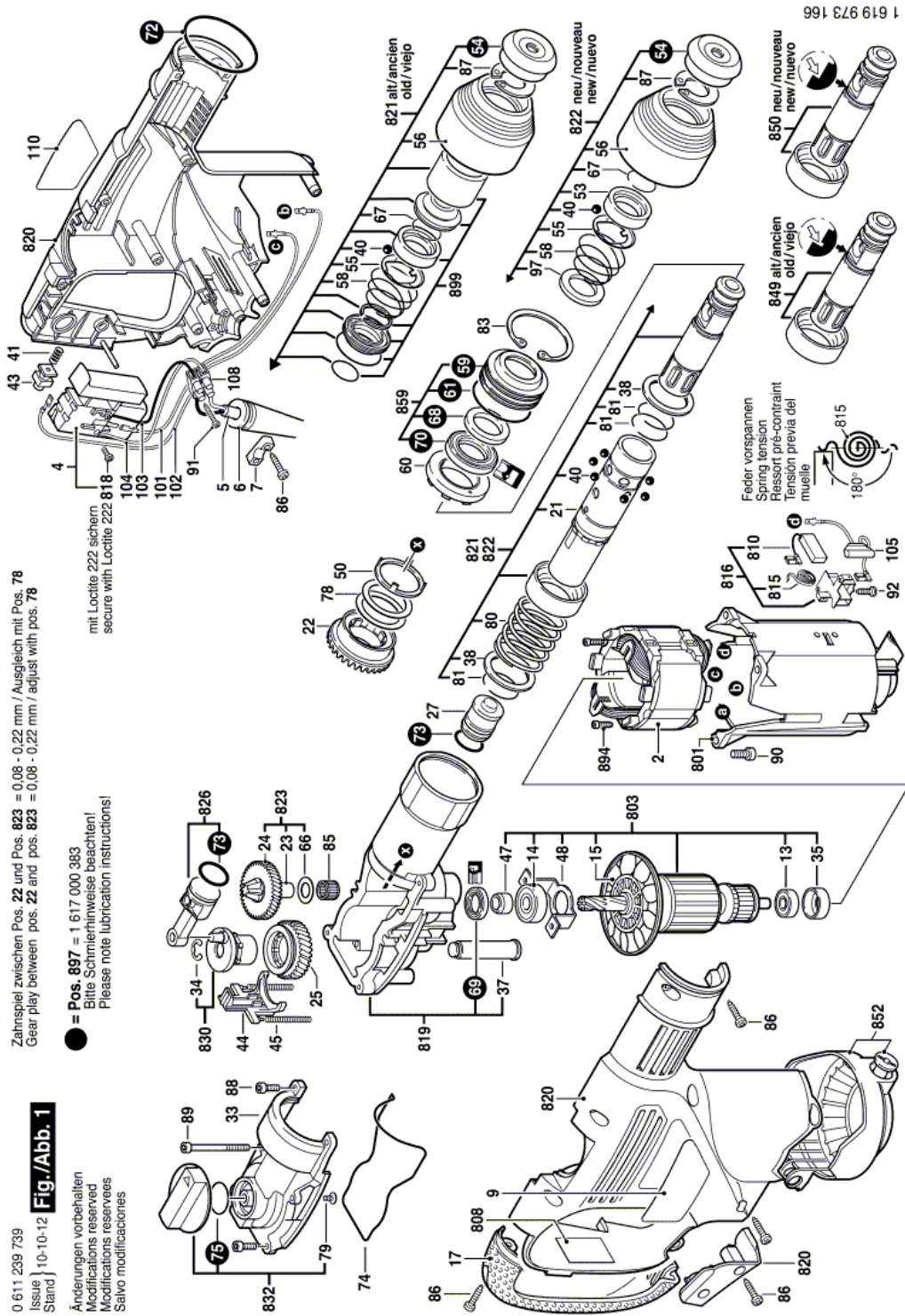
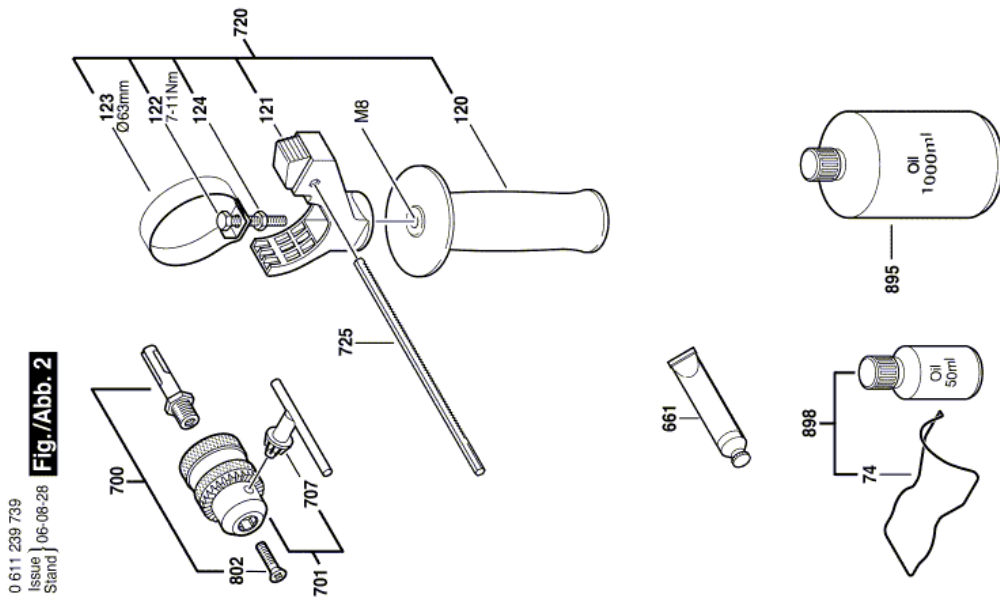


Illustration - Type E



0 611 239 739
Issue | 06-08-28
Stand | **Fig./Abb. 2**

Änderungen vorbehalten
Modifications reserved
Modificaciones reservadas
Salvo modificaciones

Information subject to change without further notice.