

## Rotary Hammer - 0 611 236 739 - 11236 VS

www.powertools-aftersaleservice.com



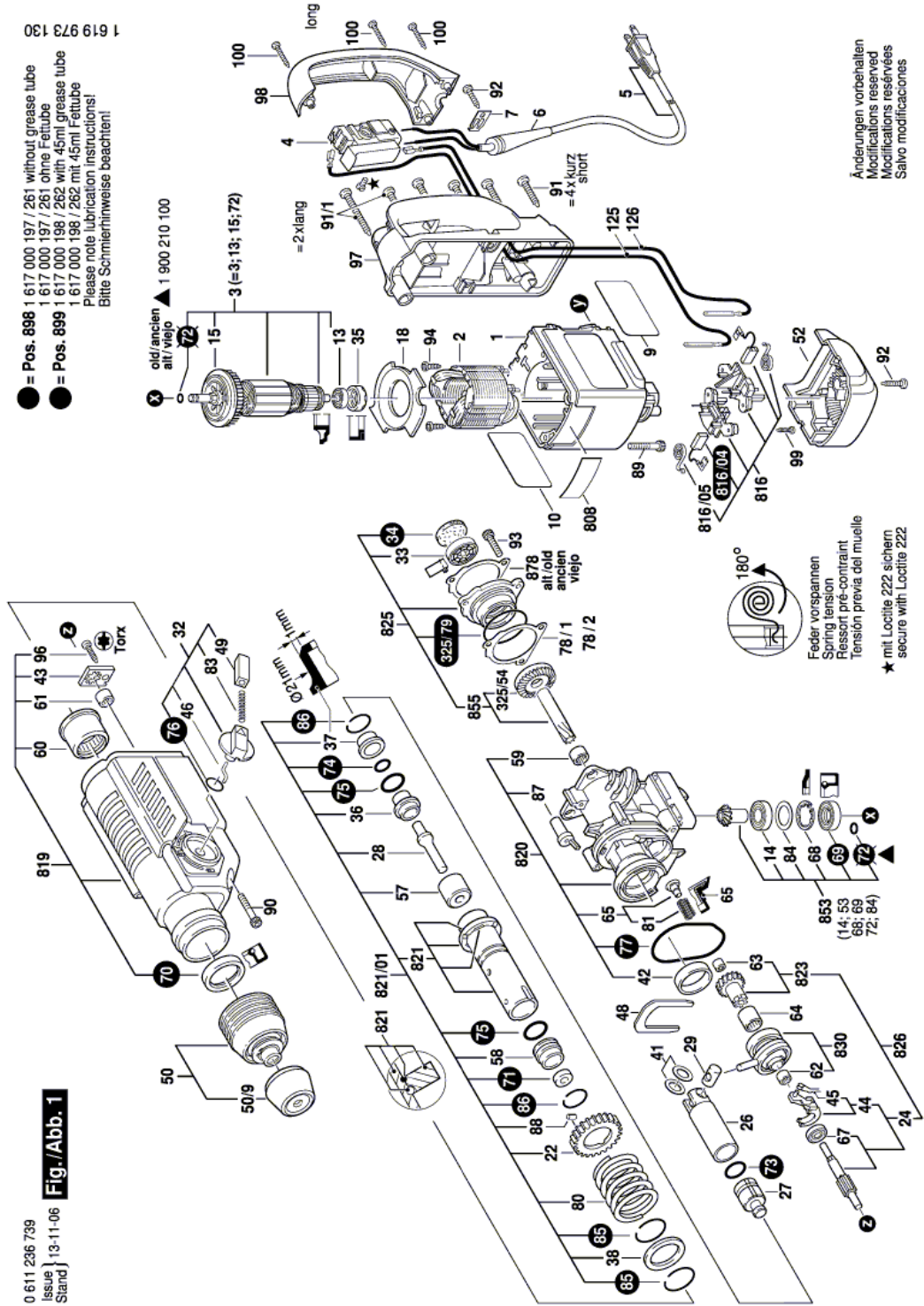
**BOSCH**

Item	Part Number	Description	Illustration	Price	Quantity	Price Group
1	1 615 108 059	Motor Housing BLUE	1	-,-	1	29
2	1 614 220 120	Field 110-120V	1	-,-	1	28
3	1 614 010 211	Armature With Fan 110-120V	1	-,-	1	42
4	2 607 200 578	Switch	1	-,-	1	35
5	1 614 460 064	Power supply cord USA/CDN 4,15m 2 x 2,08mm SJ 14/2	1	-,-	1	30
6	2 600 703 019	Grommet Ø8,7-Ø9,6x76 MM	1	-,-	1	13
7	1 601 302 018	Fastening Clamp	1	-,-	1	11
9	2 610 994 195	Manufacturer's nameplate	1	-,-	1	15
10	2 610 994 196	Warning Plate	1	-,-	1	15
13	1 610 905 025	groove ball bearing 7x19x6	1	-,-	1	19
14	1 900 900 289	groove ball bearing 12x28x8	1	-,-	1	23
15	1 606 610 132	Fan	1	-,-	1	12
18	1 610 591 011	Air-Deflector Ring	1	-,-	1	12
22	1 616 317 602	Cylindrical Gear Z=50	1	-,-	1	24
24	1 617 000 500	Toothed Shaft Z=3/9	1	-,-	1	36
26	1 618 700 063	Hammer Piston	1	-,-	1	27
27	1 618 710 060	Striker	1	-,-	1	27
28	1 613 124 043	Striker Pin	1	-,-	1	19
29	1 613 105 012	Piston Pin	1	-,-	1	15
32	1 612 026 037	Clamp Handle BLACK	1	-,-	1	24
33	1 610 190 016	Perforated disk	1	-,-	1	13
34	1 610 005 000	Felt Disc	1	-,-	1	11
35	1 610 206 021	Rubber Ring	1	-,-	1	11
36	1 610 390 016	Guide Bushing	1	-,-	1	23
37	1 610 390 032	Damping Bushing Ø21 MM	1	-,-	1	18
38	1 610 102 026	Supporting Disc	1	-,-	1	13
41	1 610 101 011	Shim washer 1,2 MM THICK	1	-,-	2	11
42	1 610 202 015	Plain bearing	1	-,-	1	14
43	1 611 098 005	Tab Washer	1	-,-	1	14
44	1 615 820 092	Switching Element	1	-,-	1	13
45	1 614 651 014	Switch Spring	1	-,-	1	11
46	1 614 690 002	Driver Pin	1	-,-	1	11
48	1 611 016 003	Holding Plate	1	-,-	1	12

Item	Part Number	Description	Illustration	Price	Quantity	Price Group
49	1 612 026 035	Switch Button RED		1	-,-	1 11
50	1 618 598 175	Quick-Change Collet Chuck L=70 MM SDS-PLUS		1	-,-	1 43
50/9	1 610 508 026	Protective Cap L=21,5 MM, SDS-PLUS		1	-,-	1 16
52	1 615 500 298	Cover BLUE		1	-,-	1 19
57	1 610 390 025	Stop Bushing		1	-,-	1 22
58	1 610 390 026	Guide Ring		1	-,-	1 25
59	1 610 910 080	Needle bearing		1	-,-	1 15
60	1 610 910 073	Needle-Roller Bearing		1	-,-	1 23
61	1 610 910 098	Needle bearing		1	-,-	1 15
62	1 610 200 020	Plain bearing		1	-,-	1 11
63	1 610 910 064	Needle bearing		1	-,-	1 14
64	1 610 913 010	Needle-Roller Assembly		1	-,-	1 16
65	1 610 591 016	Plain bearing		1	-,-	1 14
67	1 610 905 016	groove ball bearing		1	-,-	1 22
68	1 610 119 009	Retaining ring		1	-,-	1 11
69	1 610 283 041	Rotary shaft lip seal		1	-,-	1 19
70	1 610 283 023	Rotary shaft lip seal		1	-,-	1 17
71	1 610 290 029	Scraper		1	-,-	1 13
73	1 610 210 121	O-Ring 17,0x3,0 MM GREEN		1	-,-	1 13
74	1 610 210 104	O-Ring 11,0x3,5 MM		1	-,-	1 13
75	1 610 210 159	O-Ring 18,0x3,5 MM		1	-,-	2 14
76	1 610 210 046	O-Ring 10,5x2,7 MM		1	-,-	1 11
77	1 610 210 106	O-Ring 60,0x3,0 MM		1	-,-	1 13
78/1	1 610 134 005	Shim 0,1 MM THICK		1	-,-	1 11
78/2	1 610 134 006	Shim 0,2 MM THICK		1	-,-	1 11
80	1 614 634 006	Compression Spring		1	-,-	1 19
81	1 614 611 009	Compression Spring		1	-,-	1 11
83	1 614 611 006	Compression Spring		1	-,-	1 15
84	1 610 101 627	Supporting Disc 1,2 MM THICK		1	-,-	1 11
85	1 614 601 011	Retaining ring		1	-,-	2 11
86	1 614 601 024	Retaining ring		1	-,-	2 11
87	1 610 390 027	Screw Bushing		1	-,-	2 11
88	1 613 200 007	Roller		1	-,-	3 11
89	2 910 141 168	Hex Socket Head Cap Screw DIN 912-M 5x35-8.8		1	-,-	4 16
90	2 910 141 168	Hex Socket Head Cap Screw DIN 912-M 5x35-8.8		1	-,-	4 16
91	2 910 211 036	Tapping Screw DIN 7971-ST4,8x25-F		1	-,-	4 10
91/1	2 910 211 038	Tapping Screw DIN 7971-ST4,8x38-F		1	-,-	2 11
92	2 912 401 019	Tapping Screw DIN7981-ST3,9x16-C-Z		1	-,-	3 11
93	2 910 141 162	Hex Socket Head Cap Screw DIN 912-M5x20-8.8		1	-,-	3 11
94	2 603 435 015	Recessed-Head Screw DIN 7981-ST3,5x9,5-F		1	-,-	2 11
96	2 912 401 018	Tapping Screw DIN7981-ST3,9x13-C-Z		1	-,-	1 10
97	1 615 133 031	Handle Cover BLACK		1	-,-	1 26
98	1 615 133 030	Cover BLACK		1	-,-	1 23
99	2 910 211 005	Tapping Screw DIN 7971-ST2,9x9,5-F		1	-,-	4 10
100	2 914 211 311	Oval-Head Screw 40 x 35MM		1	-,-	3 11
120	1 602 025 07H	Auxiliary Handle		2	-,-	1 23
121	1 618 040 054	Support clamp Ø51x110 MM		2	-,-	1 19
122	1 613 490 002	T-Head Bolt M8x40 MM		2	-,-	1 14
123	1 611 316 009	Clamping Band Ø51 MM		2	-,-	1 18
125	1 614 448 035	Connecting Cable L=330 MM WHITE		1	-,-	1 13
126	1 614 448 036	Connecting Cable L=215 MM BLUE		1	-,-	1 12

Item	Part Number	Description	Illustration	Price	Quantity	Price Group
325/54	1 616 333 029	Crown Gear Z=32	1	-,-	1	25
325/79	2 600 210 003	O-Ring 40,0x1,5 MM	1	-,-	1	13
652	1 613 001 008	Depth-Gauge SW 6x330 MM	2	-,-	1	21
661	1 615 430 010	Grease Tube 30 ML	2	-,-	1	18
701	2 607 000 186	Adapter	2	-,-	1	-
713	2 607 001 316	Keyless Chuck Ø1-Ø13 MM, 1/2"	2	-,-	1	-
713	2 608 572 066	Keyless Chuck Ø1-Ø13 MM, 1/2"	2	-,-	1	-
791	2 605 438 389	Carrying Case	2	-,-	1	-
808	1 601 11A 3H3	Nameplate	1	-,-	1	13
816	1 617 000 359	Brush Holder	1	-,-	1	32
816/04	1 617 014 128	Carbon-Brush Set	1	-,-	1	24
816/05	1 614 652 002	Spiral Spring	1	-,-	2	11
819	1 617 000 345	Impact Mechanism Housing BLUE	1	-,-	1	39
820	1 617 000 315	Gear Housing	1	-,-	1	40
821	1 617 000 978	Ratchet Sleeve	1	-,-	1	36
821/01	1 617 000 979	Ratchet Sleeve	1	-,-	1	45
823	1 616 328 044	Gear Sleeve Z=25	1	-,-	1	33
825	1 615 805 064	Bearing Flange	1	-,-	1	35
826	1 617 000 516	Toothed Shaft Z=3/9	1	-,-	1	42
830	1 615 819 022	Drive bearing	1	-,-	1	41
853	1 617 000 196	Pinion Z=15	1	-,-	1	37
855	1 617 000 982	Jack Shaft Z=9	1	-,-	1	31
878	1 610 134 008	Plain Washer 0,5 MM THICK	1	-,-	1	13
884	1 612 025 038	Auxiliary Handle	2	-,-	1	27
898	1 617 000 261	Wear and Tear Part Set	1	-,-	1	34
899	1 617 000 262	Wear and Tear Part Set	1	-,-	1	34

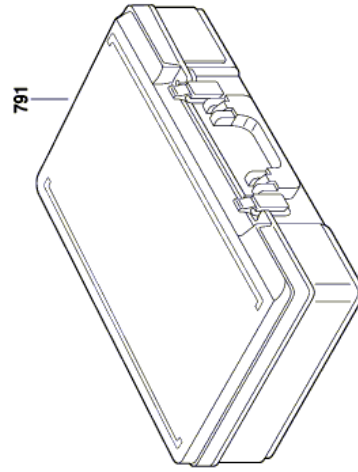
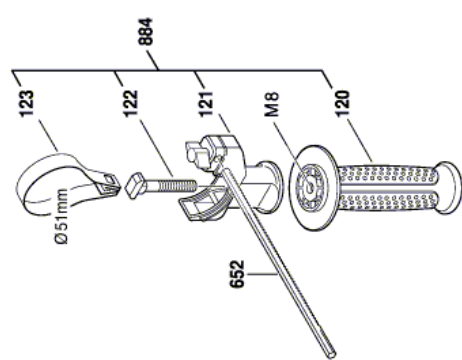
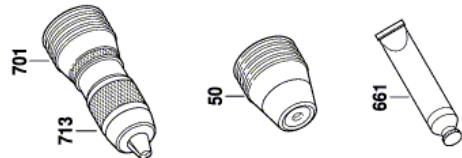
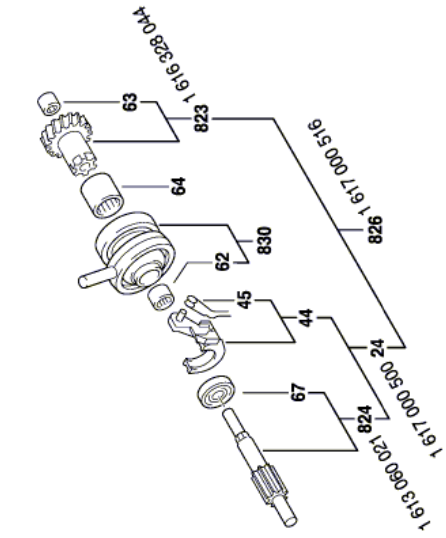
Illustration - Type E



Änderungen vorbehalten  
 Modifications reserved  
 Modificaciones reservadas  
 Salvo modificaciones

180°  
 Feder vorspannen  
 Spring tension  
 Ressort pré-contraint  
 Tensión previa del muelle  
 ★ mit Loctite 222 sichern  
 secure with Loctite 222

Illustration - Type E



0 611 236 739  
Issue 13-11-06  
Stand **Fig./Abb. 2**

Modifications reserved  
Änderungen vorbehalten  
Modifications réservées  
Salvo modificaciones

Information subject to change without further notice.