



SERVICE PARTS LIST

BUL. 54-08-2160

1/2" ELECTRIC DRILL

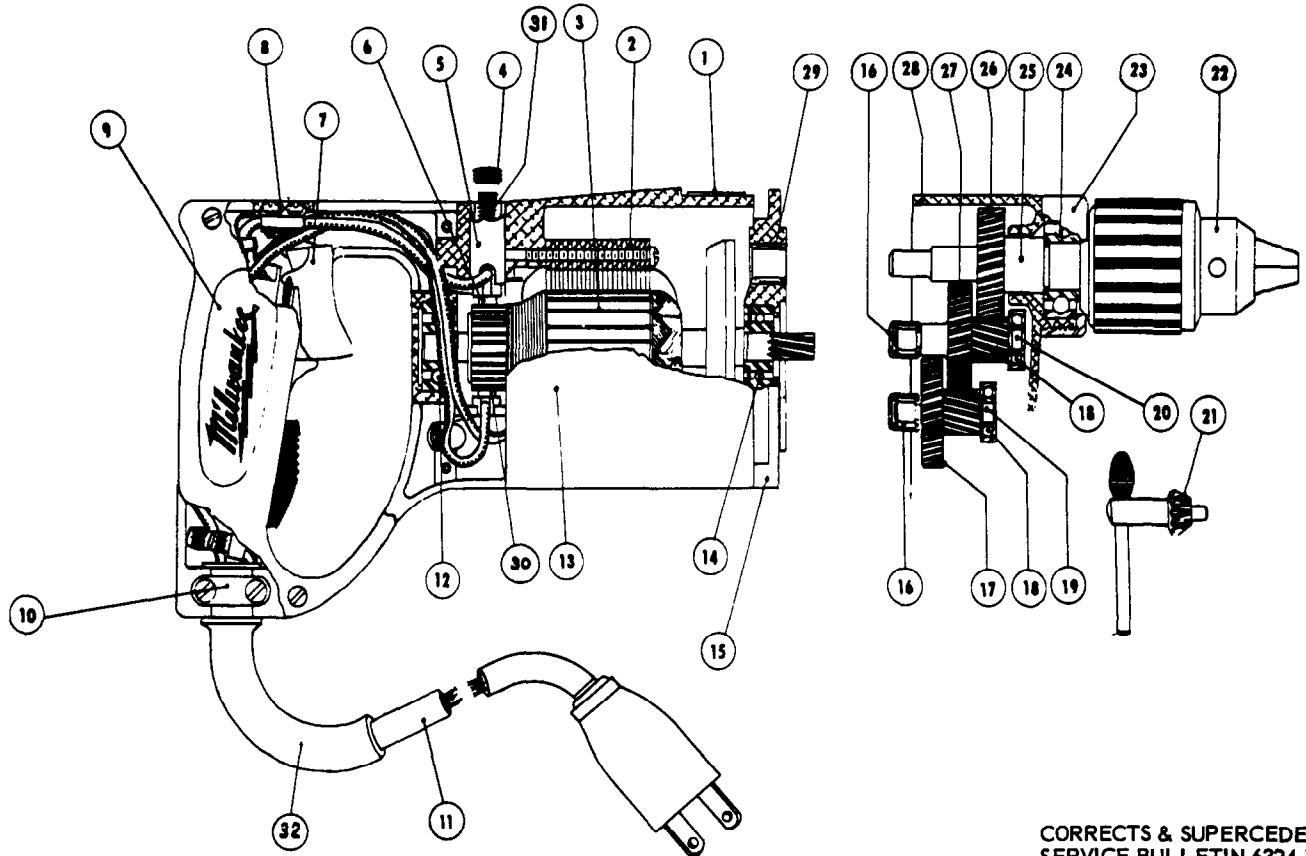
REVISED BUL. 6324-1 DATE FEB. '68

Catalog No. 1120-1

Starting Serial No. 324-1001

WIRING INSTR.

Both Model and Serial No. must be furnished to obtain correct parts.



CORRECTS & SUPERCEDES SERVICE BULLETIN 6324-1 DATED 1/23/63

ILLUSTRATED PARTS

FIG. PART NO.	DESCRIPTION OF PART	FIG. PART NO.	DESCRIPTION OF PART	
1	12-98-0800 Name Plate	17	32-40-1241 Intermediate Gear	
2	18-40-1020 Field Assembly	18	02-04-0640 Ball Bearing	
3	16-40-1030 Armature with Fan	19	36-66-2801 Intermediate Pinion Shaft	
4	23-44-0020 Brush Retaining Screw	20	36-66-2901 Intermediate Pinion Shaft	
5	22-22-0170 Brush Holder Assembly	(2)	21	48-66-3280 Chuck Key
6	22-18-0280 Carbon Brush Assembly	22	48-66-1360 Chuck (1/2-20 Thread 3-Jaw)	
7	23-66-0440 Switch	23	42-52-0071 Bearing Cap	
8	45-36-0110 Switch Spacer	24	02-04-1560 Ball Bearing	
9	28-20-3601 Handle Cover	25	38-50-3651 Spindle	
10	28-17-0400 Cord Clamp Strap	26	32-75-2061 Spindle Gear	
11	22-64-0310 Cord Set	27	32-75-2041 Spindle Gear	
12	02-04-0970 Ball Bearing	28	28-14-0961 Gear Case	
13	28-50-4489 Motor Housing	29	02-50-2110 Needle Bearing	
14	02-04-0940 Ball Bearing	30	22-18-0320 Carbon Brush Assembly	
15	28-28-0661 Diaphragm	31	23-52-0090 Brush Spring	
16	02-50-1640 Needle Bearing			
MISCELLANEOUS PARTS NOT SHOWN				
PART NO.	DESCRIPTION OF PART	PART NO.	DESCRIPTION OF PART	
45-36-0210	Spacer	06-81-6100	8-32x7/16 Fil. Hd. Cord Clamp Strap Sems (2)	
43-62-0160	Handle	06-81-6350	8-32x1 Fil. Hd. Gear Case Sems	
44-90-0130	Handle Ring	06-81-6650	8-32x1-3/4 Fil. Hd. Gear Case Sems	
06-42-0800	Woodruff Keys (3)	06-81-6600	8-32x1-3/4 Fil. Hd. Field Sems	
06-81-8400	4-40x1/4 Rd. Hd. Name Plate Sems (2)	06-83-2650	1/4-20x3/8 Hd'less Brush Holder Set Scs. (2)	
06-81-5800	6-32x5/16 Fil. Hd. Switch Mtg. Sems (2)	06-81-3700	8-32x7/8 Oval Hd. Handle Cover Screws (4)	
23-16-0085	Switch Insulator	06-75-3150	1/4-20x1 L.H. Socket Cap Screw	
22-56-0160	Connector (2)			