



# SERVICE PARTS LIST

BULLETIN NO.  
55-08-1218

SPECIFY CATALOG NO. AND SERIAL NO. WHEN ORDERING PARTS		REVISED BULLETIN 55-08-1217	DATE May '95
<b>1/2" REVERSING DRILL</b>		WIRING INSTRUCTION <b>58-03-0027</b>	
CATALOG NO.	1107-4	STARTING SERIAL NO.	629B

EXAMPLE:  
Component Parts (Small #)  
Are Included When Ordering  
The Assembly (Large #).

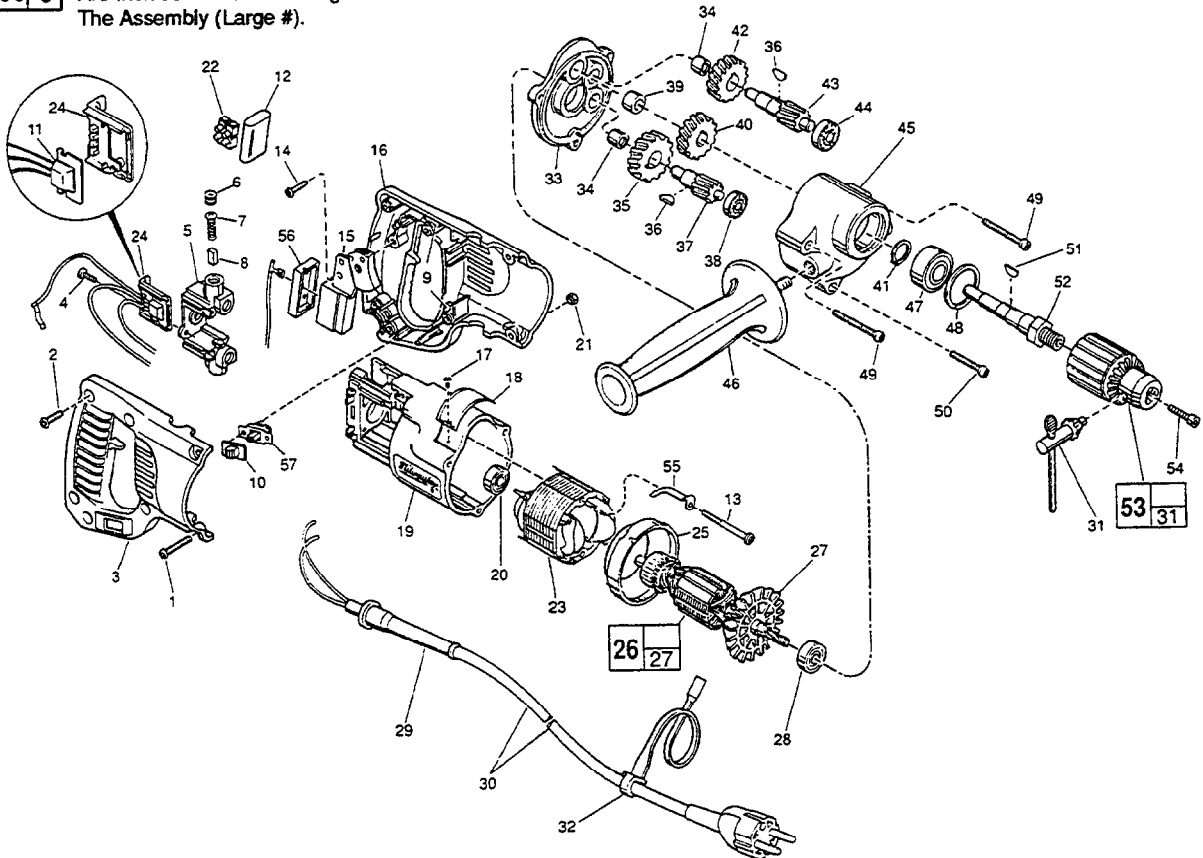


FIG.	PART NO.	DESCRIPTION OF PART	NO. REQ.	FIG.	PART NO.	DESCRIPTION OF PART	NO. REQ.
	1	06-82-2390 8-32 x 1-1/4" Pan Hd. Slotted T-20	(2)	31	48-66-3280	Chuck Key	(1)
	2	06-82-7270 8-16 x 5/8" Pan Hd. Plastite T-20	(5)	32	48-66-4040	Key Holder	(1)
	3	31-44-1651 Right Handle Half	(1)	33	28-28-0611	Diaphragm	(1)
	4	06-82-7240 6-19 x 1/2" Pan Hd. Plastite T-15	(2)	34	02-50-1640	Needle Bearing	(2)
	5	22-22-1380 Brush Holder Assembly	(1)	★ 35	32-40-1251	Intermediate Gear	(1)
	6	23-44-0190 Brush Retaining Cap	(2)	36	06-42-0800	Woodruff Key	(2)
	7	23-52-0160 Brush Spring	(2)	★ 37	36-66-2811	Intermediate Shaft	(1)
	8	22-16-0375 Carbon Brush	(2)	38	02-04-0640	Ball Bearing	(1)
	9	14-46-1001 Foam Slug Kit-10 Slugs	(2)	39	02-50-2440	Needle Bearing	(1)
	10	14-20-0680 Reversing Switch And Cap Assembly	(1)	★ 40	32-75-2066	Spindle Gear	(1)
	11	14-20-0600 Remote Electronic Assembly	(1)	41	34-60-1200	Retaining Ring	(1)
	12	14-20-0590 Suppressor Assembly	(1)	★ 42	32-75-2051	2nd Intermediate Gear	(1)
	13	06-82-7410 8-16 x 1-7/8" Pan Hd Sl. Plastite T-20	(2)	★ 43	36-66-4012	2nd Intermediate Shaft	(1)
	14	06-82-7270 8-16 x 5/8" Pan Hd. Plastite T-20	(1)	44	02-04-0820	Ball Bearing	(1)
	15	23-66-1975 Switch	(1)	★ 45	28-14-1921	Gear Case	(1)
	16	14-34-0423 Handle Assembly	(1)	46	43-62-0875	Side Handle	(1)
	17	06-85-0200 Nameplate Screw	(2)	47	02-04-1536	Ball Bearing	(1)
	18	12-99-0942 Nameplate Blank	(1)	48	34-80-2500	Retaining Ring	(1)
	19	31-50-0841 Motor Housing	(1)	★ 49	05-88-5927	K50 x 63mm PT Screw	(2)
	20	02-04-0845 Ball Bearing	(1)	★ 50	05-88-5905	K50 x 41mm PT Screw	(1)
	21	06-55-0835 8-32 Hex Nut	(2)	★ 51	06-42-2000	Woodruff Key	(1)
	22	22-56-0625 Terminal Block	(1)	★ 52	38-50-5475	Spindle	(1)
	23	18-32-0230 Field	(1)	53	48-66-1365	1/2" Chuck	(1)
	24	43-72-0175 Heat Sink Holder	(1)	54	06-75-3150	1/4-20 x 1" L.H. Skt. Cap Screw	(1)
	25	31-05-0050 Baffle	(1)	55	44-60-1380	Stack Connector	(1)
★	26	16-36-0326 Armature	(1)	56	45-12-0470	Dust Shield	(1)
	27	22-84-0531 Fan Assembly	(1)				
	28	02-04-0911 Ball Bearing	(1)				
	29	44-76-0210 Cord Protector	(1)				
	30	22-64-4480 Cord Set	(1)				

FIG. LUBRICATION:  
★ 45 3-3/4 Oz. Type "A" Grease, No. 49-08-0800.