



# SERVICE PARTS LIST

**BULLETIN NO.**  
**54-08-1214**

<b>SPECIFY CATALOG NO. AND SERIAL NO. WHEN ORDERING PARTS</b>		<b>REVISED BULLETIN</b>	<b>DATE</b>
<b>1/2" REVERSING DRILL</b>		54-08-1213	April '89
<b>CATALOG NO.</b>	<b>STARTING SERIAL NO.</b>	<b>WIRING INSTRUCTION</b>	
1107-1	629-83000	58-01-0284	



**EXAMPLE:**  
Component Parts ( Small #)  
Are Included When Ordering  
The Assembly (Large #).

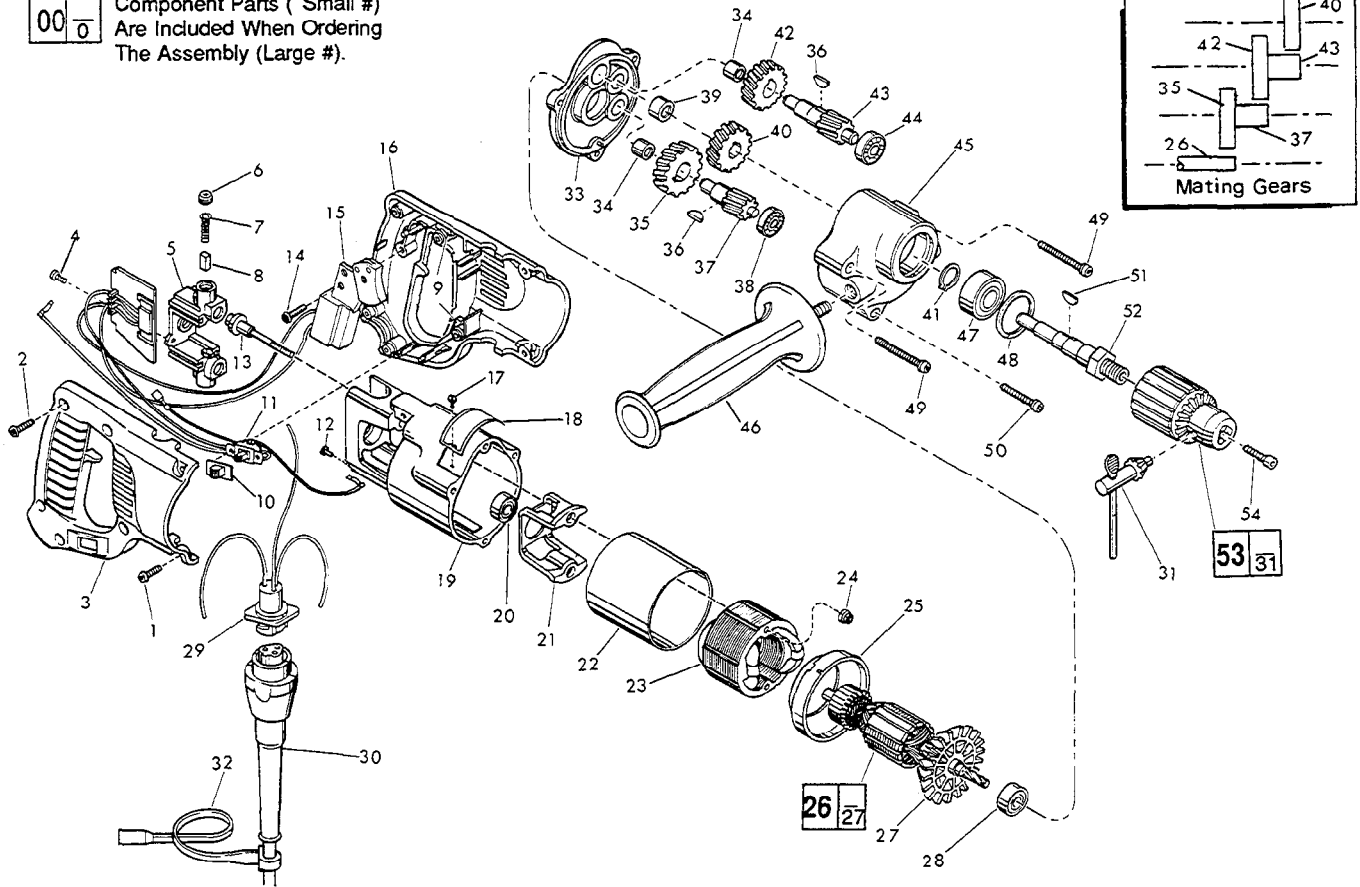


FIG.	PART NO.	DESCRIPTION OF PART	NO. REQ.
	1	8-32x1/2" Slot Pan Hd. Torx Screw	(4)
	2	06-82-7260 7-18 x 5/8" Pan Hd. Plastite Torx Screw	(5)
	3	31-44-1476 Right Handle Half	(1)
	4	06-95-0075 6-32 x 3/8" Truss Hd. Taptite Screw	(2)
	5	22-22-1330 Brush Holder Assembly	(1)
	6	23-44-0190 Brush Retaining Cap	(2)
	7	23-52-0160 Brush Spring	(2)
	8	22-16-0275 Carbon Brush	(2)
★	9	14-46-1001 Foam Slug Kit-10 Slugs	(2)
★	10	31-12-0196 Switch Cap	(1)
★	11	14-20-0355 Switch Assembly	(1)
	12	06-95-5150 6-32 x 1/4" Hex Hd. Taptite Sems	(1)
	13	06-81-1058 8-32 x 2.19 Field Bolt	(2)
	14	06-82-7260 7-18 x 5/8" Pan Hd. Plastite Torx Screw	(1)
★	15	23-66-1470 On-Off Switch	(1)
	16	31-44-1481 Left Handle Half	(1)
	17	06-85-0200 Nameplate Screw	(2)
★	18	12-99-0530 Nameplate Blank	(1)
	19	28-50-6201 Motor Housing	(1)
	20	02-04-0845 Ball Bearing	(1)
	21	31-55-0030 Coil Shield	(1)
	22	23-16-0456 Field Insulator	(1)
	23	18-30-0200 120 V. Field	(1)
	24	06-57-2975 8-32 Flexlock Hex Nut	(2)
	25	31-05-0050 Baffle	(1)
	26	16-30-0325 120 V. Armature	(1)
	27	22-84-0530 Fan Assembly	(1)
	28	02-04-0911 Ball Bearing	(1)
★	29	22-56-0541 Pin Housing Assy.	(1)
★	30	48-76-4008 Cord Set	(1)

FIG.	PART NO.	DESCRIPTION OF PART	NO. REQ.
	31	48-66-3280 Chuck Key	(1)
	32	48-66-4040 Key Holder	(1)
★	33	28-28-0611 Diaphragm	(1)
	34	02-50-1640 Needle Bearing	(2)
	35	32-40-1241 Intermediate Gear	(1)
	36	06-42-0800 Woodruff Key	(2)
	37	36-66-2801 Intermediate Shaft	(1)
	38	02-04-0640 Ball Bearing	(1)
	39	02-50-2440 Needle Bearing	(1)
	40	32-75-2061 Spindle Gear	(1)
	41	34-60-1200 Retaining Ring	(1)
	42	32-75-2041 Spindle Gear	(1)
	43	36-66-4001 Intermediate Shaft	(1)
	44	02-04-0820 Ball Bearing	(1)
	45	28-14-1920 Gear Case	(1)
	46	43-62-0875 Side Handle	(1)
	47	02-04-1536 Ball Bearing	(1)
	48	34-80-2500 Retaining Ring	(1)
	49	06-82-5502 8-32 x 2-1/4" Pan Taptite Torx	(2)
	50	06-82-5404 8-32 x 1-3/8" Pan Taptite Torx	(1)
	51	06-42-1600 Woodruff Key	(1)
	52	38-50-5470 Spindle	(1)
★	53	48-66-1365 1/2" Chuck	(1)
	54	06-75-3150 1/4-20 x 1 L.H. Skt. Cap Screw	(1)

**LUBRICATION:**

45 3-1/4 Oz. Type "A" Grease, No. 49-08-0800.

**MILWAUKEE ELECTRIC TOOL CORPORATION**  
13135 W. LISBON RD., BROOKFIELD, WI 53005