



SERVICE PARTS LIST

BULLETIN NO.
54-08-1184

SPECIFY CATALOG NO. AND SERIAL NO. WHEN ORDERING PARTS		REVISED BULLETIN 54-08-1183	DATE May '83
1/2" REVERSING DRILL			
CATALOG NO. 1101-1	STARTING SERIAL NO. 493-87600	WIRING INSTRUCTION 58-01-0243	
CAT. NO. 1101-8	START SER. NO. 493-87600	BILINGUAL LABEL 10-98-6400	

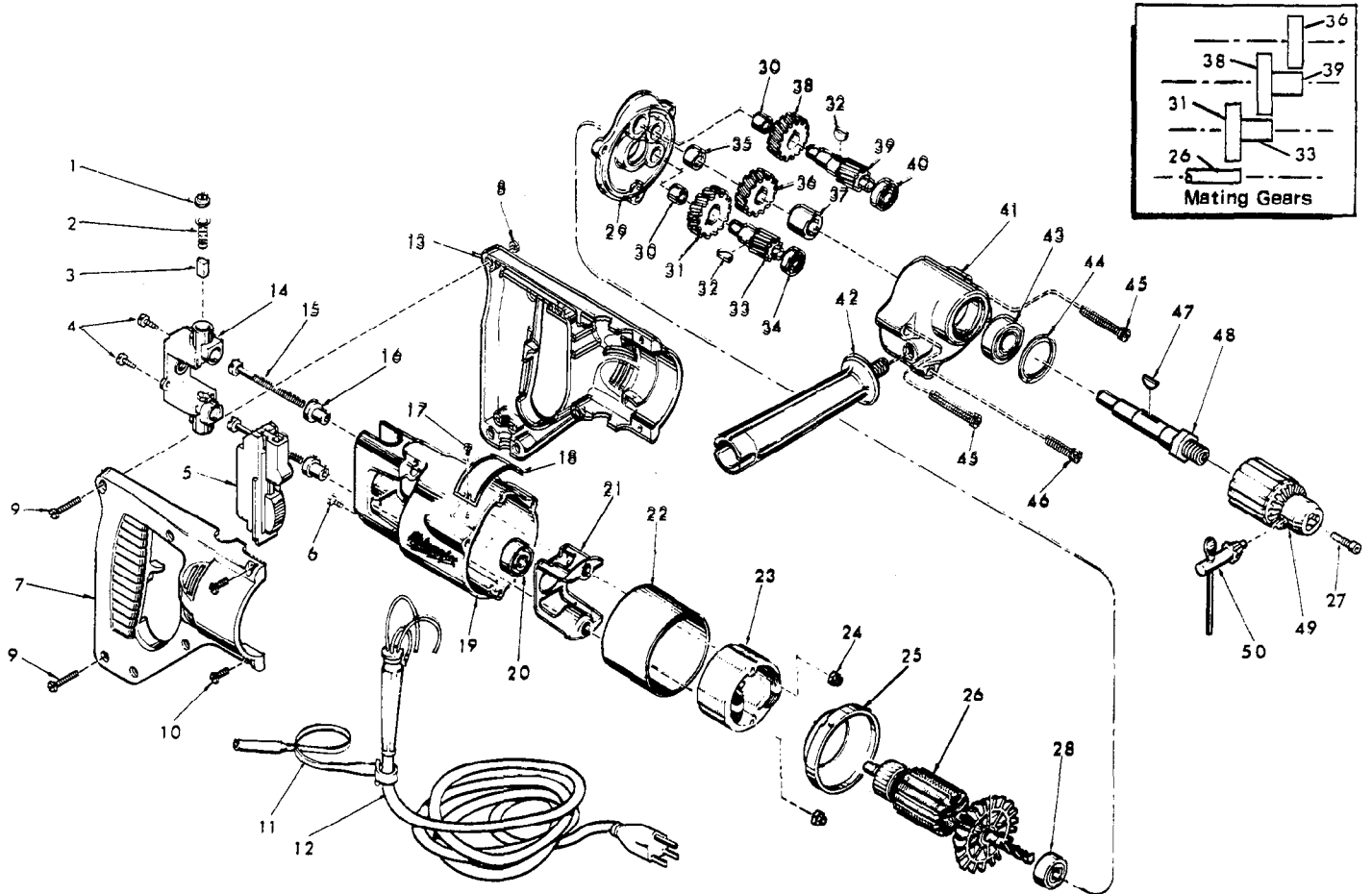


FIG.	PART NO.	DESCRIPTION OF PART	NO. REQ.	FIG.	PART NO.	DESCRIPTION OF PART	NO. REQ.
1	23-44-0120	Brush Retaining Screw	(2)	27	06-75-3150	1/4-20x1 L.H. Skt. Hd. Cap Screw	(1)
2	23-52-0160	Brush Spring	(2)	28	02-04-0940	Ball Bearing	(1)
3	22-16-0250	Carbon Brush	(2)	29	28-28-0662	Diaphragm	(1)
★ 4	06-95-0116	6-32 x 5/8" Pan Hd. Taptite Screw	(2)	30	02-50-1640	Needle Bearing	(2)
5	23-66-1020	Switch	(1)	31	32-40-1241	Intermediate Gear	(1)
★ 6	06-95-5150	Ground Screw	(1)	32	06-42-0800	Woodruff Key	(2)
7	31-44-0565	R.H. Half D Handle	(1)	33	36-66-2801	Intermediate Shaft	(1)
★ 8	06-55-0835	8-32 Hex Nut	(5)	34	02-04-0640	Ball Bearing	(1)
★ 9	06-81-0473	8-32 x 1" Pan Hd. Pozidriv Screw	(5)	35	02-50-2110	Needle Bearing	(1)
★ 10	06-95-0700	8-32 x 1/2" Pan Hd. Taptite Screw	(4)	36	32-75-2061	Spindle Gear	(1)
11	48-66-4040	Key Holder	(1)	37	45-36-0210	Spindle Gear Spacer	(1)
12	22-64-0405	Cord Set	(1)	38	32-75-2041	Spindle Gear	(1)
13	31-44-0575	L.H. Half D Handle	(1)	39	36-66-4001	Intermediate Shaft	(1)
14	22-22-0302	Brush Holder Assembly	(1)	40	02-04-0820	Ball Bearing	(1)
15	06-81-1055	8-32x2-3/16 Field Bolt	(2)	★ 41	28-14-0691	Gear Case	(1)
16	31-86-0120	Insulating Spacer	(2)	★ 42	43-62-0605	Side Handle	(1)
17	00-85-0200	6x1/4 Rd. Hd. Type Z Screw	(2)	43	02-04-1560	Ball Bearing	(1)
18	12-99-0030	Nameplate	(1)	★ 44	34-80-2500	Retaining Ring	(1)
19	28-50-6147	Motor Housing	(1)	45	06-81-6707	8-32x1-7/8 Fil. Hd. Sem	(2)
20	02-04-0891	Ball Bearing	(1)	46	06-81-6402	8-32x1-1/8 Fil. Hd. Sem	(1)
21	31-55-0030	Coil Shield	(1)	47	06-42-1600	Woodruff Key	(1)
22	23-16-0456	Field Insulator	(1)	48	38-50-3651	Spindle	(1)
23	18-30-0200	120 V. Field	(1)	49	48-66-1360	1/2" Chuck (Includes Fig. No. 50)	(1)
24	06-57-2975	8-32 Flexlock Hex Nut	(2)	50	48-66-3280	Chuck Key	(1)
25	31-05-0050	Baffle	(1)	★ 51	10-98-5987	Warning Label	(1)
★ 26	16-30-0310	120 V. Armature	(1)			Omit For Canadian Tools	