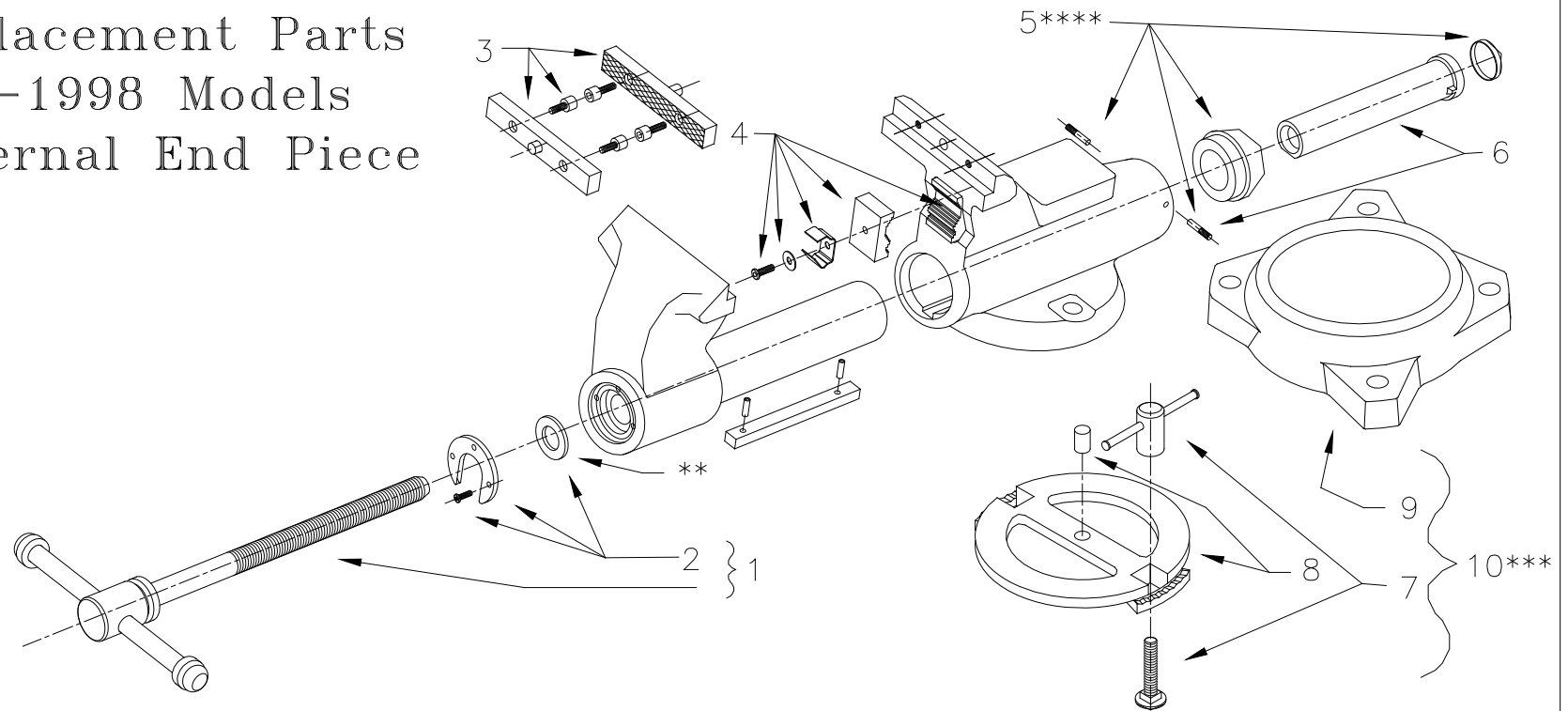


COMBINATION PIPE & BENCH VISE

Replacement Parts

Pre-1998 Models

External End Piece



WILTON MODEL NUMBER	MOVEABLE* JAW CASTING NUMBER, REFERENCE	ITEM #1 SPINDLE ASSEMBLY WITH #2	ITEM #2** RING WITH (3) SCREWS & WASHER	ITEM #3 SERRATED INSERTS & SCREWS	ITEM #3a SMOOTH INSERTS & SCREWS	ITEM #4 PIPE JAW ASSEMBLIES COMPLETE	ITEM #5**** END PIECE ASSEMBLY W/ 2 PINS	ITEM #6 SPINDLE NUT, WITH 2 PINS	ITEM #7*** LOCK NUT AND BOLT ASSEMBLIES	ITEM #8*** INNER RING WITH DOWEL PIN	ITEM #9*** OUTER RING ONLY	ITEM #10*** SWIVEL BASE ASSEMBLY #7, #8, & #9
C-0 (Old)	101054	2900150	2904000	NOT AVAIL.	NOT AVAIL.	NOT AVAIL.	2904380	2900130	2904270	1010880	1011990	NOT AVAIL.
C-0 (New)	101166	2900150	2904000	2904960	2904970	2905140	2904380	2900130	2905210	1010880	1011990	2905330
C-1 (Old)	101038	2900030	2904010	NOT AVAIL.	NOT AVAIL.	NOT AVAIL.	2904410	2900120	2904270	1010810	1011980	2904120
C-1 (New)	101221	2900030	2904010	2905000	2905010	2900770	2904410	2900120	2904270	1010810	1011980	2904120
C-2	101205	2900160	2904500	2903240	NOT AVAIL.	2900830	2904510	2900110	2905230	1010830	1010840	2900590
C-3 <1984	101207	NOT AVAIL.	2904500	2903280	NOT AVAIL.	2907600	2905270	2900100	2905230	1010830	1010840	2900590
C-3 >1984	101293	2900180	2904500	2907370	NOT AVAIL.	2907600	2907390	2900100	2907410	1011070	1011080	2907360
AW-35	101166	2900200	2904000	2905040	NOT AVAIL.	2905130	2904380	2900130	2905220	1010880	1011990	2905120
AW-45	101221	2900210	2904010	2907430	NOT AVAIL.	2907420	2904410	2900120	2907440	1010810	1011980	2907120

* The moveable jaw casting number is used as a reference to aid in the identification of correct replacement parts.
 ** Washer was not originally furnished with these vises, but may be used to compensate for counterbore wear.

*** Items 7 thru 10 are not used on "N" model vises.
 ****The end piece is attached to, and becomes an integral part of the stationary jaw casting. The end cap is small and fits into the end piece.